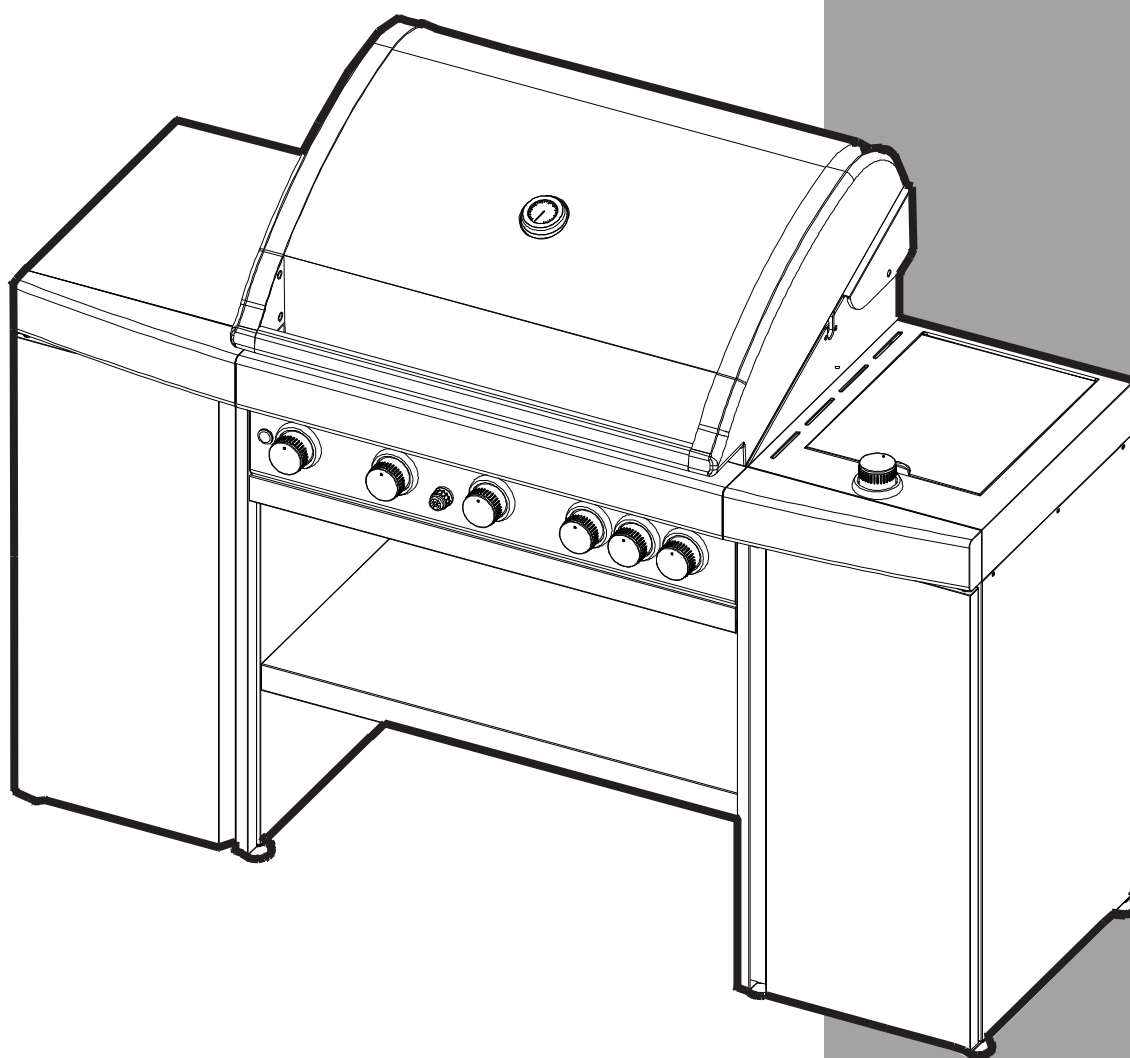


CE

**grandhall**  
living style

# gas barbecue



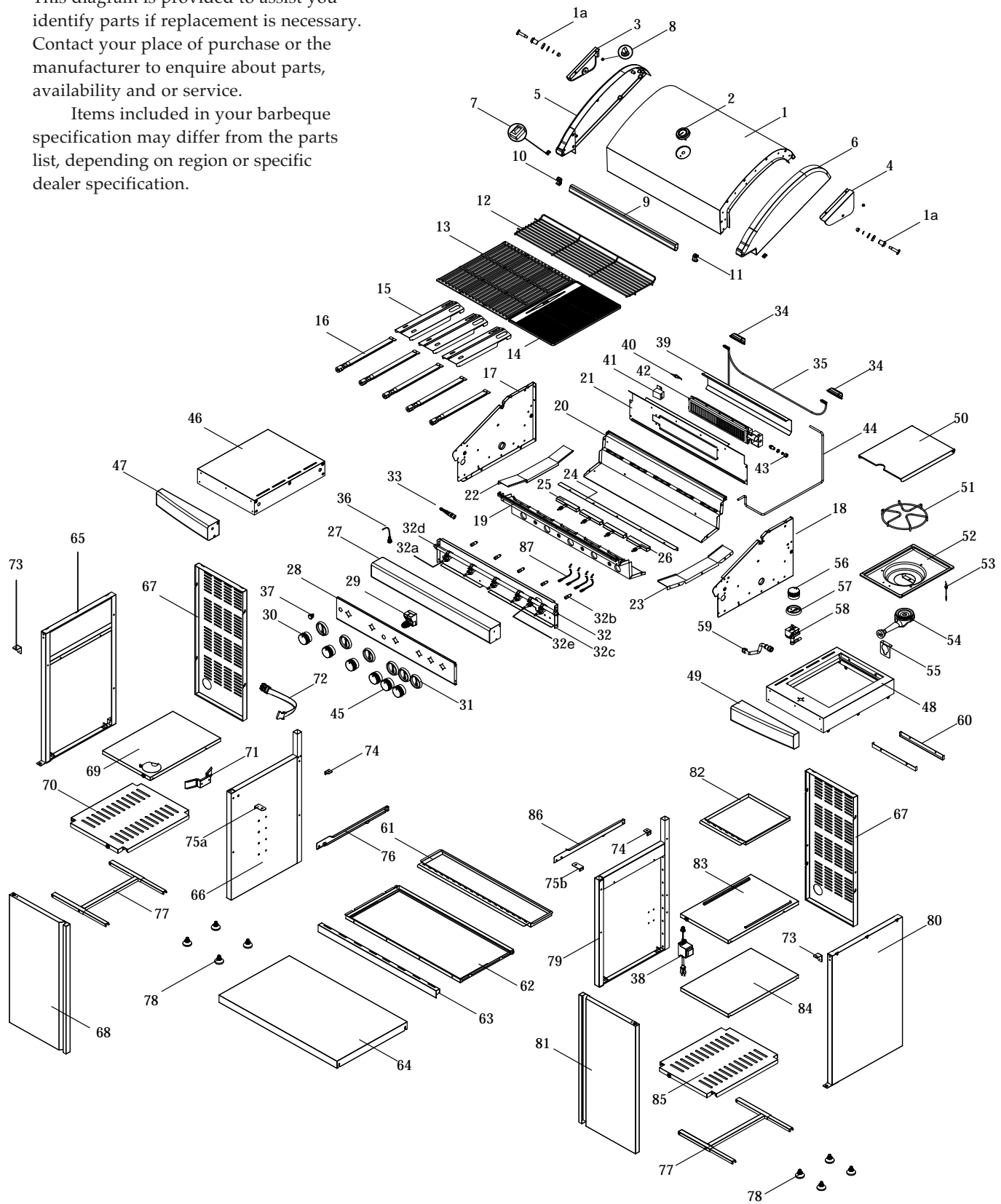
- Ⓘ ⒸⒹ Assembly instructions
- ⒸⒽ ⒻⒼ Instructions d'assemblage
- ⒶⒿ ⒸⒽ ⒹⒺ Montageanweisungen
- ⒸⒽ ⒾⒿ Istruzioni per il montaggio
- ⒴Ⓐ ⒸⒺ ⒼⒻ Montage-instructies
- ⒶⒺ Montering
- ⒻⒾ Kokoamisohjeet
- ⒶⒶ Instrucciones de armado
- ⒶⒿ Instruções para Montagem
- ⒹⒼ Monteringsvejledning
- ⒼⒹ Montering

*Maxim 499P*

**PARTS DIAGRAM - Maxim 499P**

This diagram is provided to assist you identify parts if replacement is necessary. Contact your place of purchase or the manufacturer to enquire about parts, availability and or service.

Items included in your barbecue specification may differ from the parts list, depending on region or specific dealer specification.

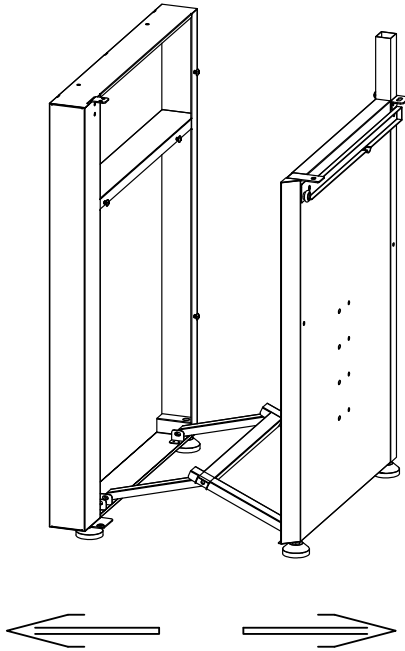


## PARTS LIST - 499P

Ref	Description	Part	Qty	Ref	Description	Part	Qty
1	Hood	P0015407F6	1	43	Jet – back burner - 30mbar	P06509003A	1
1a	Hood hinge set	Y0200007	2		- 50mbar	P06535001A	1
2	Temperature gauge	P00601451E	1	44	Back burner extension tube	P03717046A	1
3	Hood hinge support – left	P00127434B	1	45	Control knob – back	P03436071R	1
4	Hood hinge support – right	P00128434B	1	46	Side shelf – left	P011060514	1
5	Hood panel – left	P0012744DM	1	47	Side shelf decoration panel – left	P07503026A	1
6	Hood panel – right	P0012844DM	1	48	Side burner frame	P011260234	1
7	Protective pad – front	P05518026I	2	49	Side shelf decoration panel – right	P07502035A	1
8	Protective pad – rear	P05518001I	2	50	Side burner lid	P001153464	1
9	Hood handle	P00218008A	1	51	Side burner pot support	P00805013G	1
10	Hood handle spacer – left	P06804004A	1	52	Side burner body	P02302010D	1
11	Hood handle spacer – right	P06804005A	1	53	Side burner electrode	P02607053L	1
12	Secondary cooking / warming rack	P01506005G	1	54	Side burner	P02002007A	1
13	Grill plate	P01615028H	3	55	Side burner body bracket	P02215072E	1
14	Hot plate	P05702002E	1	56	Control knob – side	P03408091L	1
15	Flame tamer	P01705039F	3	57	Control knob seat – side	P03432013J	1
16	Burner – 30mbar	P02008059A	5	58	Gas valve – side - 30mbar	Y0060263	1
	– 50mbar	P02008056A	5		- 50mbar	Y0060271	1
	– 30mbar for Isreal	P02008081A	5	59	Side burner hose	P03705019J	1
17	Bowl panel – left	P00761111A	1	60	Side burner bracket	P033060054	2
18	Bowl panel – right	P00762111A	1	61	Grease draining tray	P02717765B	1
19	Bowl panel – front	P0073893GA	1	62	Grease draining tray bracket	P02717772B	1
20	Bowl panel – rear	P0076003GA	1	63	Grease draining tray handle	P00213037M	1
21	Back burner frame	P00716404A	1	64	Partition panel	P010040844	1
22	Grease tray track – left	P05330018K	1	65	Outer panel assembly – cabinet left	P07605038J	1
23	Grease tray track – right	P05330007K	1	66	Inner panel assembly – cabinet left	P07606041J	1
24	Burner support bracket	P02210012B	1	67	Back panel assembly – cabinet L/R	P07702122Q	2
25	Gas collector box with electrode	P026080124	3	68	Door set – left	P04302057R	1
26	Gas collector box with electrode – RH	P026080144	1	69	Partition panel upper – cabinet left	P01001088U	1
27	Decorative front panel – upper	P0291545EL	1	70	Bottom panel – cabinet left	P01001089U	1
28	Control panel – 30mbar	P02915562A	1	71	Tank brackt	P03303144V	1
	– 50mbar	P02915572A	1	72	Black tank fastening strip	P05314001V	1
29	Electric igniter – 6 port	P02502265C	1	73	Door hinge bracket – top	P03313043V	2
30	Control knob – main	P03436061R	5	74	Bowl support bracket – rear	P03327103V	2
31	Control knob seat – main / back	P03415263L	6	75a	Bowl support bracket – front/left	P03327104V	1
32	Manifold/gas valve ass y – 30mbar	Y0060751	1	75b	Bowl support bracket – front/right	P03327105V	1
	– 50mbar	Y0060752	1	76	Slide – left	P05516146X	1
32a	Gas valve – main without jet	P03222101A	5	77	Cabinet folding bracket	P03303146V	2
32b	Jet – 30mbar	P06519023A	5	78	Level adjuster	P05322007B	8
	– 50mbar	P06519025A	5	79	Inner panel assembly – cabinet right	P07605039J	1
32c	Heat shield	P03009203B	1	80	Outer panel assembly – cabinet right	P07606042J	1
32d	Manifold	P05010042H	1	81	Door set – right	P04303058R	1
32e	Gas valve – back	P03222133A	1	82	Side burner grease receptacle	P02718077B	1
33	Universal hose bar	P03901024A	1	83	Partition panel upper – cabinet right	P01001090U	1
34	Light set	P05383005B	2	84	Partition panel middle – cabinet right	P01001091U	1
35	Electric wire for light set	P05352007B	1	85	Bottom panel – cabinet right	P01001092U	1
36	Wire for transformer	P02616025A	1	86	Slide – right	P05516147X	1
37	Light switch	P05383006B	1	87	Electric wire set	P02615090A	1
38	Transformer	P05374016B	1		Assembly instruction	P80184025K	1
39	Back burner wind shield	P06905073B	1		Operator instruction	P80184026K	1
40	Back burner electrode	P02614003C	1		Hardware pack	P06028021A	1
41	Gas collector box – back burner	P026210014	1				
42	Back burner assembly	P02007003A	1				

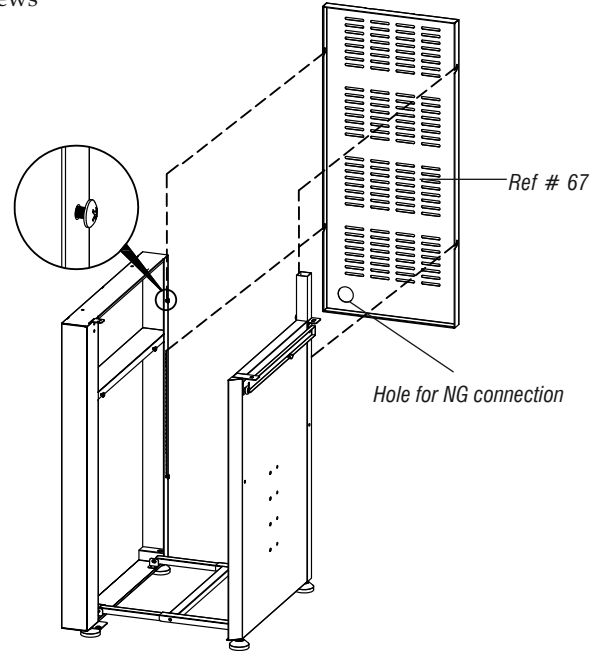
ASSEMBLY

① OPEN LEFT CABINET SIDE PANEL ASSEMBLY



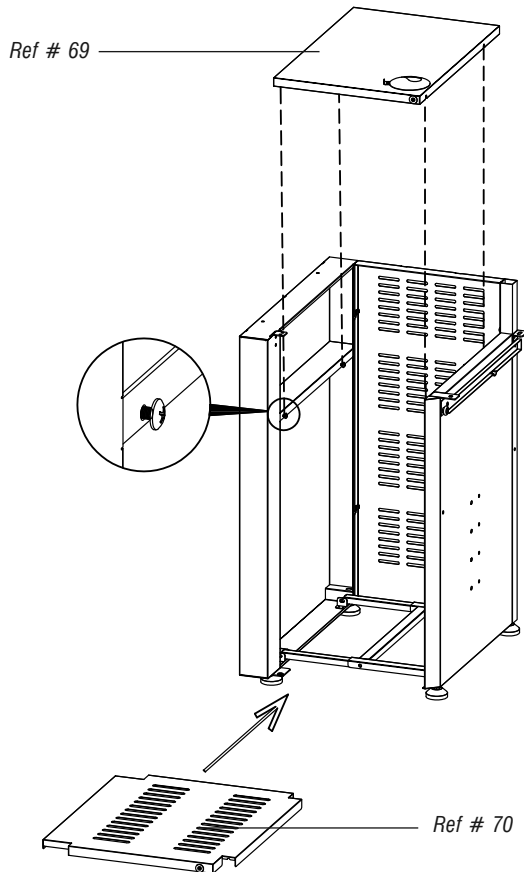
② INSTALL LEFT CABINET REAR PANEL

- Install the rear panel as shown, then tighten the four screws



③ INSTALL LEFT CABINET BOTTOM SHELF AND UPPER PARTITION PANEL

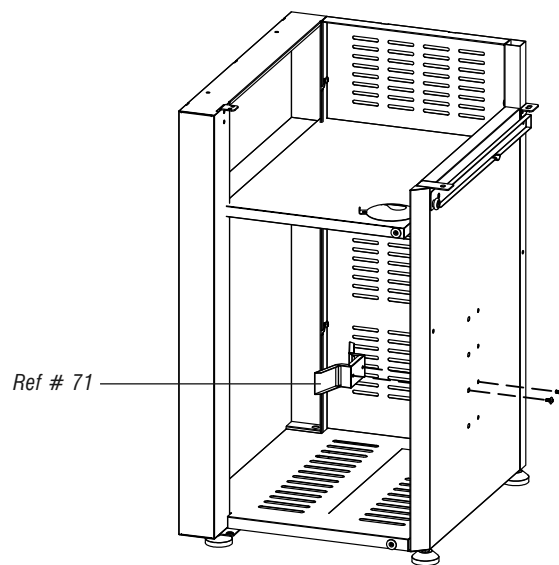
- Install the bottom shelf and upper partition panel, then tighten the four screws.



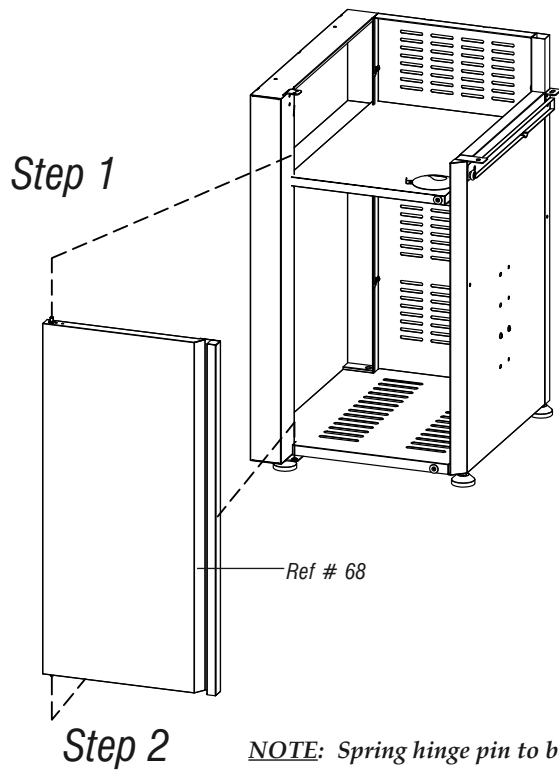
④ INSTALL GAS CYLINDER BRACKET



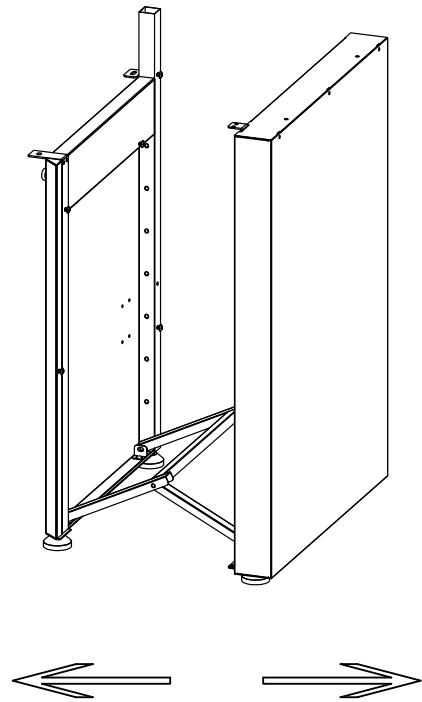
Phillips-head screw  $\frac{3}{16}$ " x  $\frac{3}{8}$ "  
Qty: 2



⑤ **INSTALL LEFT DOOR**

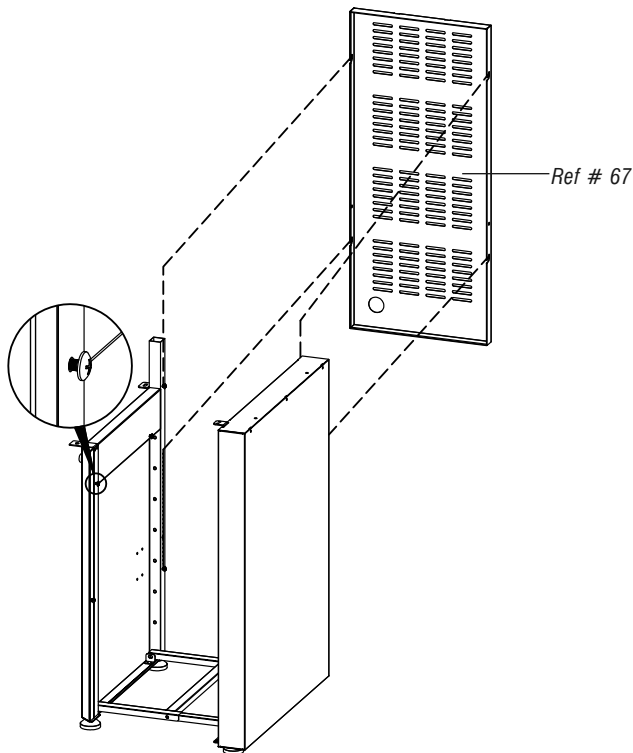


⑥ **OPEN RIGHT CABINET SIDE PANEL ASSEMBLY**



⑦ **INSTALL RIGHT CABINET REAR PANEL**

- Install the rear panel as shown, then tighten the four screws.



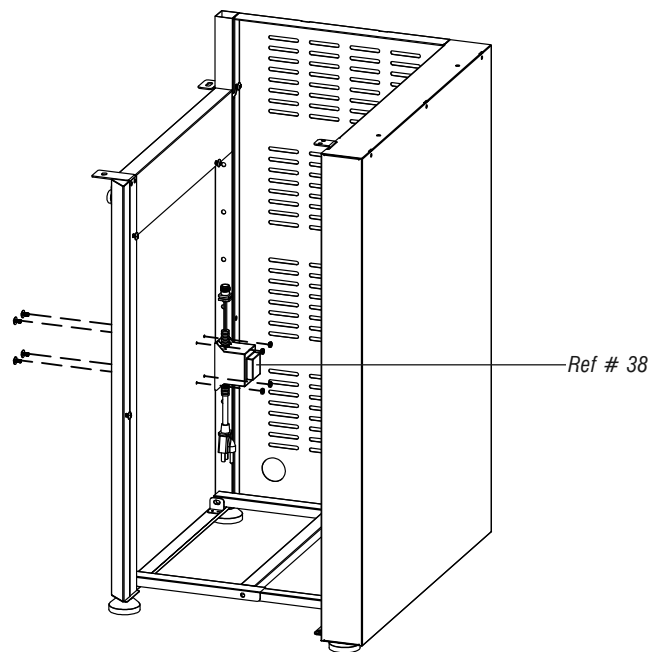
⑧ **INSTALL TRANSFORMER**



Phillips-head screw  $\frac{3}{16}$ " x  $\frac{3}{8}$ "  
Qty: 4

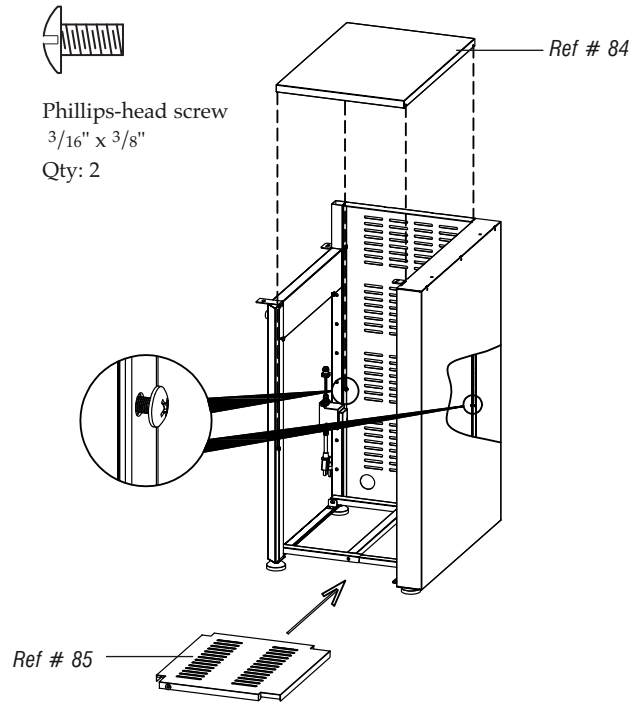


Hex nut  $\frac{3}{16}$ "  
Qty: 4



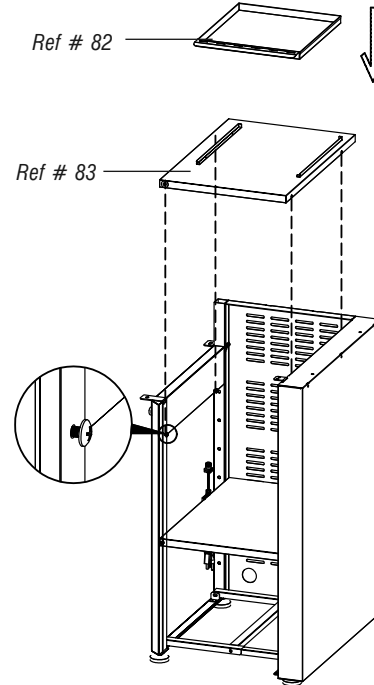
⑨ **INSTALL RIGHT CABINET BOTTOM SHELF AND MIDDLE PARTITION PANEL**

- Install the bottom shelf as shown.
- First attach two  $\frac{3}{16}$ " x  $\frac{3}{8}$ " screws half hung on the rear side as shown, then install middle partition panel and tighten the four screws.

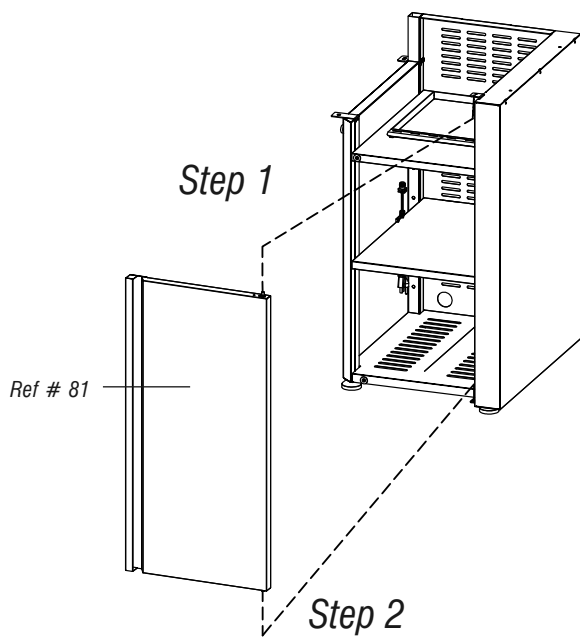


⑩ **INSTALL SIDE BURNER GREASE RECEPTACLE AND RIGHT CABINET UPPER PARTITION PANEL**

- Install upper partition panel as shown, then tighten the four screws.
- Place the side burner grease receptacle upon the upper partition panel.



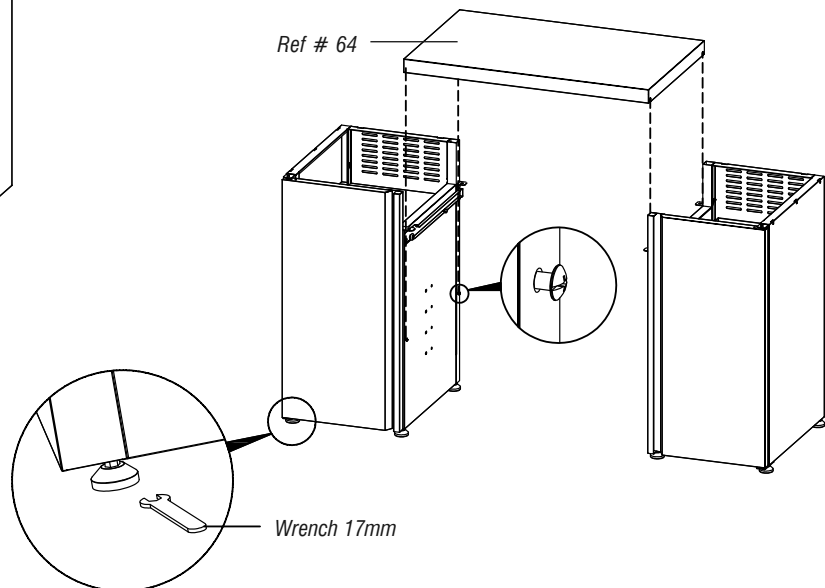
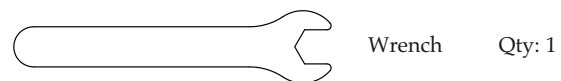
⑪ **INSTALL RIGHT DOOR**



**NOTE:** Spring hinge pin to bottom.

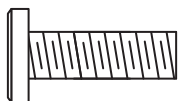
⑫ **INSTALL PARTITION PANEL**

- Adjust the level adjusters to level the appliance.
- Connect partition panel and tighten the four screws.

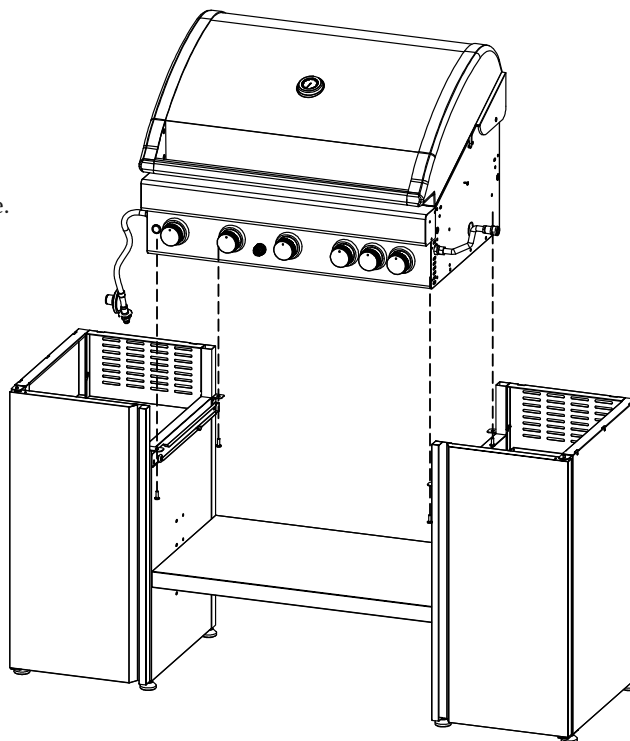


**13** **INSTALL BARBEQUE HEAD**

- Remove cooking components from barbeque head. With an assistant, lift and position barbeque head on the cabinet.
- Tighten securely using screws.
- Note: feed gas regulator through the opening in the top panel, close the shutter after assembly is complete.



Phillips flat-head screw  $1/4" \times 3/4"$   
Qty: 4

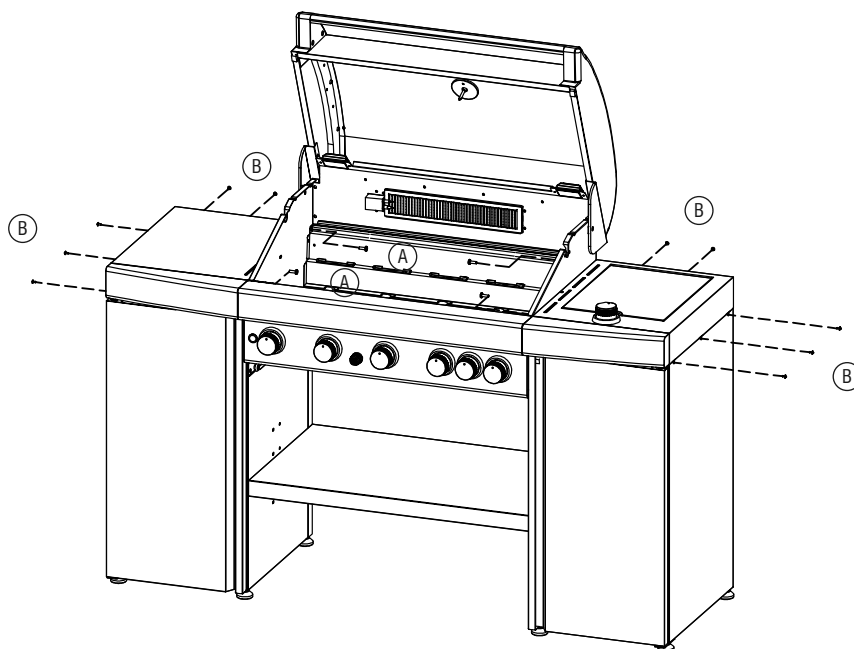


**14** **INSTALL SIDE SHELF AND SIDE BURNER FRAME**

*Side shelves / side burner to barbeque head*  
Phillips flat-head screw  $1/4" \times 3/4"$   
Qty: 4



Phillips-head screw M 4 x 8  
Qty: 10

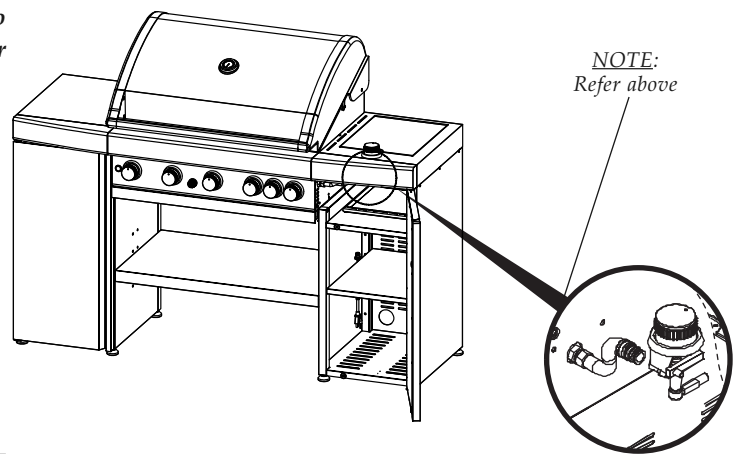
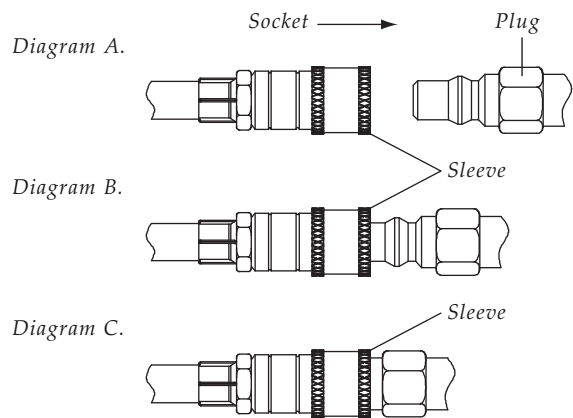


15 CONNECT SIDE BURNER GAS VALVE

**NOTE:** Remove plastic protection sleeve from male fitting before connecting side burner hose.

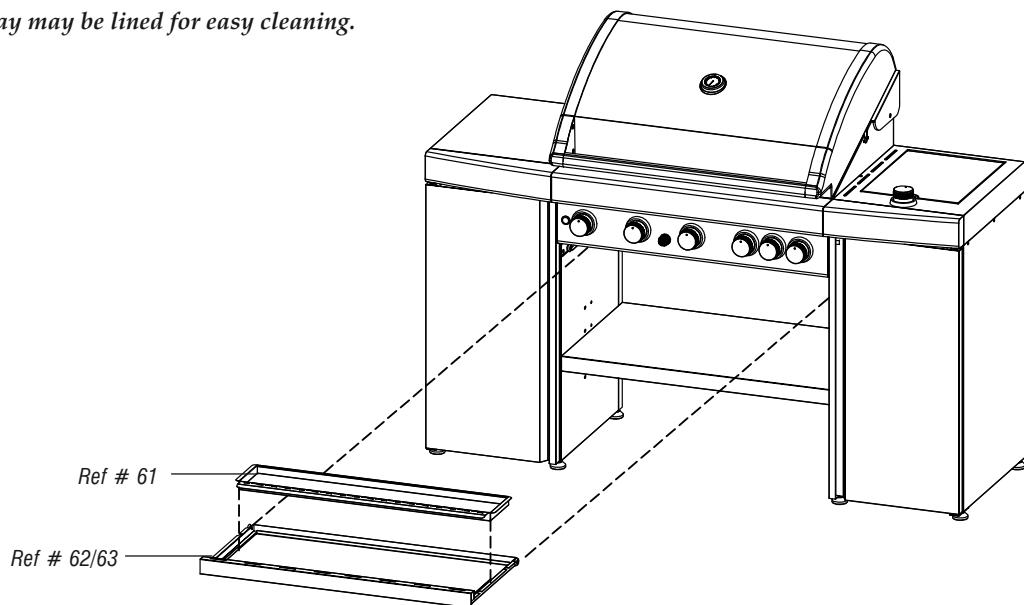
- Position hose socket over valve plug. See diagram A.
- Pull and hold back socket sleeve.
- Push socket to right until it firmly snaps into place over plug. See diagram B.
- Push sleeve to right until it fully snaps into place. See diagram C.
- Give hose a tug to left to insure connection is secure.

**WARNING:** Failure to securely connect hose socket to valve plug may result in gas leaks which can cause fire or explosion.



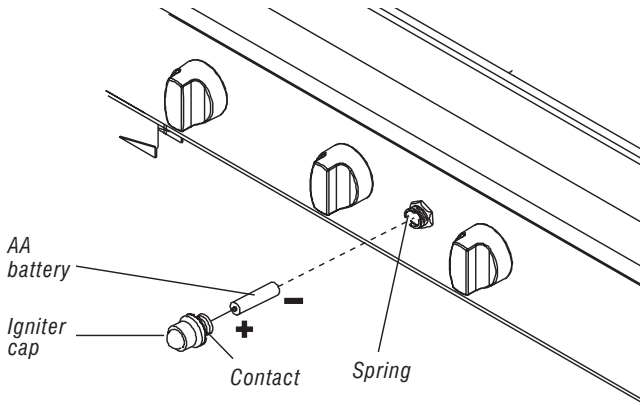
16 ASSEMBLE AND INSTALL GREASE DRAINING TRAY

**NOTE:** The grease tray may be lined for easy cleaning.

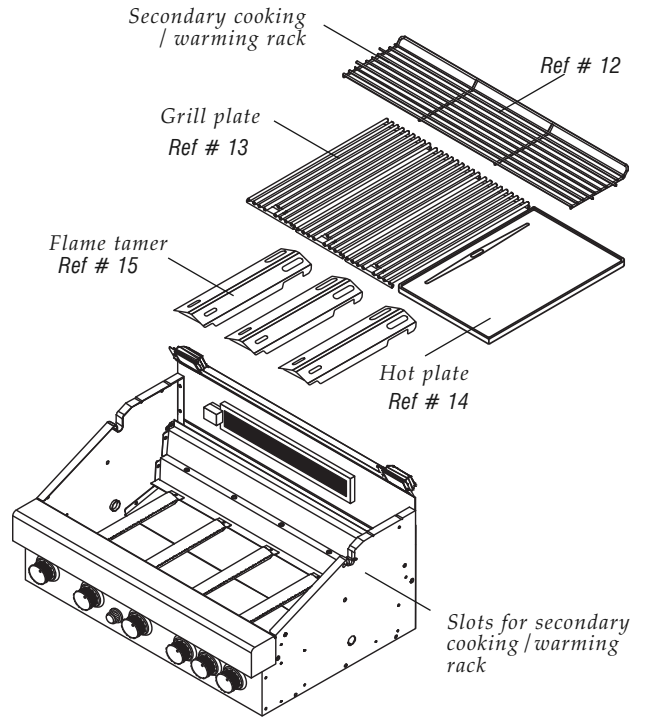




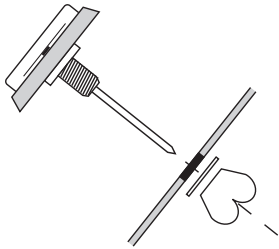
**IGNITION BATTERY**



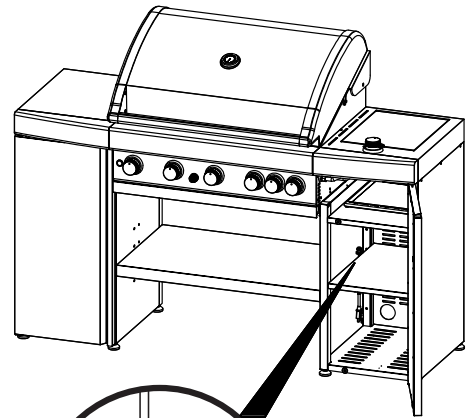
**COOKING COMPONENT INSTALLATION**



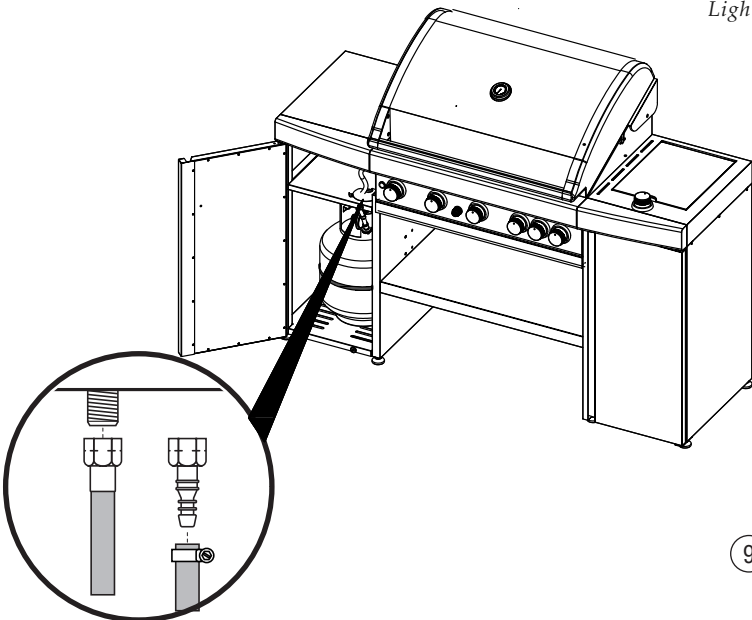
**TEMPERATURE GAUGE**



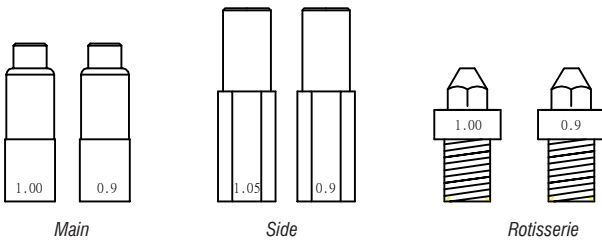
**CONNECT TRANSFORMER**



**CONNECTION GAS CONNECTION**



## INJECTOR



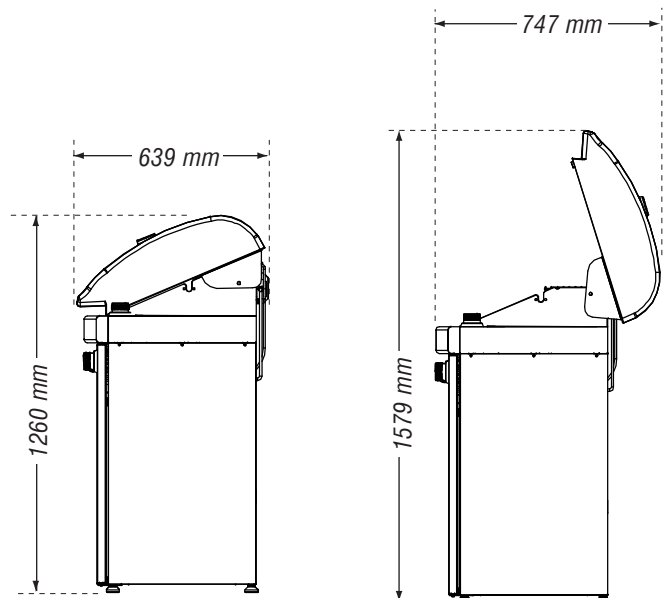
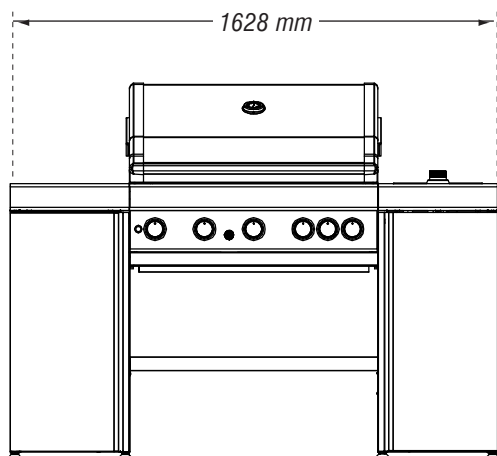
• Main / Rotisserie	1.00 mm	- I 3+ (28-30/37)
		- I 3B/P (30)
	0.90 mm	- I 3B/P (50)
• Side	1.05 mm	- I 3+ (28-30/37)
		- I 3B/P (30)
	0.90 mm	- I 3B/P (50)

## INPUT

### Maxim Island

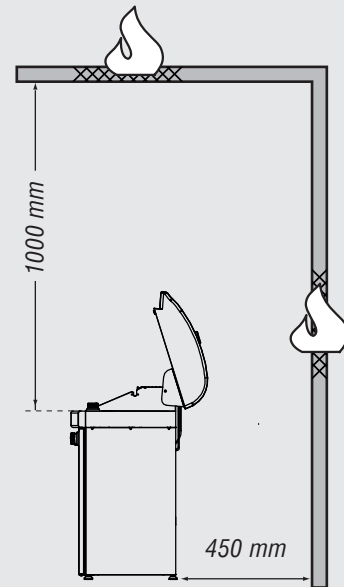
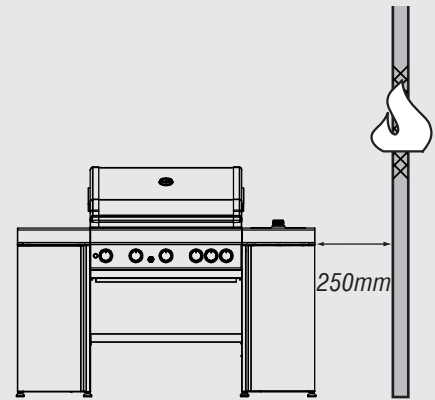
• Main	22.0 kW	- 1598 grams / h
• Side	4.5 kW	- 327 grams / h
• Rotisserie	4.2 kW	- 305 grams / h

## DIMENSIONS

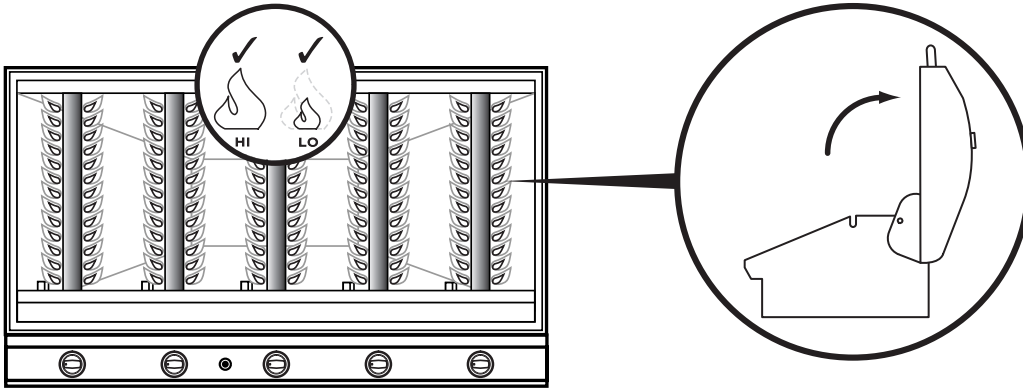


## WARNINGS INFORMATION

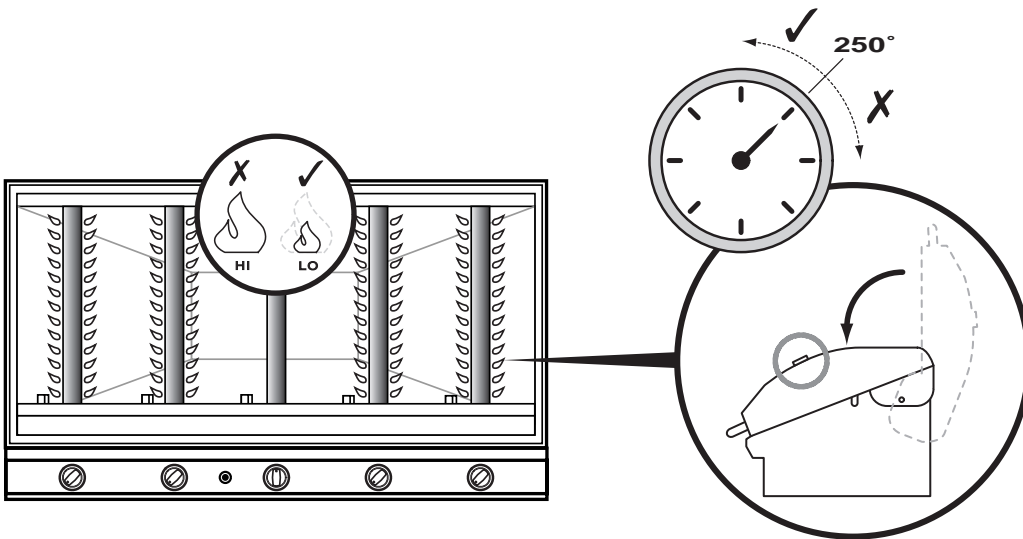
- **MINIMUM CLEARANCES FROM COMBUSTIBLE MATERIALS MUST BE:**  
**REAR - 450 mm**  
**SIDES - 250 mm**  
**TOP - 1000 mm**



**COOKING WITH HOOD OPEN**



**COOKING WITH HOOD DOWN**



Grand Hall Europe  
PO Box 431  
7570 AK Oldenzaal  
The Netherlands

[www.grandhall.eu](http://www.grandhall.eu)

**(IE) (GB) NOTE:** This information is a guide only. Items included in your BBQ specification may differ depending on region or specific dealer specification.

**(CH) (FR) NOTE:** Ces renseignements sont donnés à titre indicatif. Il est possible que les articles inclus dans les spécifications de votre barbecue diffèrent selon la région ou les caractéristiques stipulées par le concessionnaire.

**(AT) (CH) (DE) ANMERKUNG:** Diese Anleitung dient nur zu Informationszwecken. Einzelteile der Grillspezifikation sind unter Umständen verschieden entsprechend der Vertriebsregion oder bestimmten Händleranforderungen.

**(CH) (IT) AVVERTENZA:** Queste informazioni hanno il valore di guida soltanto. Gli articoli compresi nelle caratteristiche tecniche del barbecue potrebbero variare a seconda della regione o del concessionario.

**(LU) (BE) (NL) ATTENTIE:** Deze informatie is alleen bedoeld als gids. Onderdelen in uw BBQ specificatie en pakket kunnen per regio of per dealer verschillen.

**(SE) ANM.:** Denna information är endast avsedd som handledning. Specifikationerna för grillen kan variera regionalt eller beroende på de krav som olika återförsäljare har.

**(FI) HUOMATKAA:** Nämä tiedot ovat pelkästään suuntaa antavia. Ostamanne grillin yksityiskohdat voivat olla erilaiset paikkakunnan tai erityisten myyjäkohtaisten yksityiskohtien mukaan.

**(ES) NOTA:** Esta información es una guía únicamente. Es posible que las indicaciones incluidas en las especificaciones de su Asador sean diferentes según la región o las especificaciones específicas del representante.

**(PT) NOTA:** Esta informação é simplesmente um guia. Os itens incluídos na especificação do seu BBQ poderão diferir dependendo da especificação da região ou do vendedor específico.

**(DK) NB:** Denne information er kun vejledende. Specifikationer kan variere efter ønske fra forhandler, eller i henhold til nationale regler.

**(NO) NB:** Denne informasjon er kun veiledende. Spesifikasjoner kan variere som stipulert av forhandler, eller i henhold til nasjonale krav.

All specifications are subject to change without notice.

Toutes les caractéristiques sont susceptibles d'être modifiées sans préavis.

Änderungen ohne vorherige Bekanntgabe vorbehalten.

Tutti i dati tecnici possono cambiare senza preavviso.

Alle specificaties kunnen zonder voorafgaande kennisgeving worden gewijzigd.

Kaikki oikeudet teknisten tietojen muutoksiin pidätetään.

Kaikki yksityiskohdat voivat muuttua ilman, etta niistä erikseen ilmoitetaan.

Todas las especificaciones están sujetas a cambios sin previo aviso.

Todas as especificações estão sujeitas a alteração sem aviso.

Alle specifikationer kan ændres foruden varsel.

Spesifikasjoner kan endres uten varsel.

Manufacturer:

Grand Hall Enterprises Co. Ltd.  
9th Fl. No 298 Rueiguang Rd  
Neihu, Taipei, Taiwan