

GENESIS®



GAS GRILL

LP Gas Grill Owner's Guide

ESNA Guía del Propietario del Asador de Gas Propano Licuado - Pg. 29

FC Mode d'emploi du grill à gaz PL - Pg. 53

320/330

#56508



YOU MUST READ THIS OWNER'S GUIDE BEFORE OPERATING YOUR GAS GRILL.

⚠ DANGER

If you smell gas:

1. Shut off gas to the appliance.
2. Extinguish any open flames.
3. Open lid.
4. If odor continues, keep away from the appliance and immediately call your gas supplier or your fire department.

Leaking gas may cause a fire or explosion which can cause serious bodily injury, death, or damage to property.

⚠ WARNING:

1. Do not store or use gasoline or other flammable liquids or vapors in the vicinity of this or any other appliance.
2. An LP cylinder not connected for use shall not be stored in the vicinity of this or any other appliance.

⚠ WARNING: Follow all leak-check procedures carefully in this manual prior to barbecue operation. Do this even if the barbecue was dealer-assembled.

NOTICE TO INSTALLER: These instructions must be left with the owner and the owner should keep them for future use.

THIS GAS APPLIANCE IS DESIGNED FOR OUTDOOR USE ONLY.

⚠ WARNING: Do not ignite this appliance without first reading the **BURNER IGNITION** sections of this manual.



WARNINGS

⚠ DANGER

Failure to follow the Dangers, Warnings and Cautions contained in this Owner's Manual may result in serious bodily injury or death, or in a fire or an explosion causing damage to property.

⚠ WARNINGS

- ⚠ Do not store a spare or disconnected liquid propane cylinder under or near this barbecue.
- ⚠ Improper assembly may be dangerous. Please follow the assembly instructions carefully.
- ⚠ After a period of storage, and/or nonuse, the Weber® gas barbecue should be checked for gas leaks and burner obstructions before use. See instructions in this manual for correct procedures.
- ⚠ Do not operate the Weber® gas barbecue if there is a gas leak present.
- ⚠ Do not use a flame to check for gas leaks.
- ⚠ Combustible materials should never be within 24 inches (61 cm) of the back or sides of your Weber® gas barbecue.
- ⚠ Do not put a barbecue cover or anything flammable on, or in the storage area under the barbecue.
- ⚠ Your Weber® gas barbecue should never be used by children. Accessible parts of the barbecue may be very hot. Keep young children away while it is in use.
- ⚠ You should exercise reasonable care when operating your Weber® gas barbecue. It will be hot during cooking or cleaning and should never be left unattended, or moved while in operation.
- ⚠ Should the burners go out while in operation, turn all gas valves off. Open the lid and wait five minutes before attempting to relight, using the igniting instructions.
- ⚠ Do not use charcoal or lava rock in your Weber® gas barbecue.
- ⚠ Never lean over open grill or place hands or fingers on the front edge of the cookbox.
- ⚠ Should a grease fire occur, turn off all burners and leave lid closed until fire is out.
- ⚠ Do not enlarge valve orifices or burner ports when cleaning the valves or burners.
- ⚠ The Weber® gas barbecue should be thoroughly cleaned on a regular basis.
- ⚠ Liquid propane gas is not natural gas. The conversion or attempted use of natural gas in a liquid propane unit or liquid propane gas in a natural gas unit is dangerous and will void your warranty.
- ⚠ Do not attempt to disconnect any gas fitting while your barbecue is in operation.
- ⚠ Use heat-resistant barbecue mitts or gloves when operating barbecue.
- ⚠ Keep any electrical supply cord and the fuel supply hose away from any heated surfaces.
- ⚠ Combustion byproducts produced when using this product contain chemicals known to the state of California to cause cancer, birth defects, or other reproductive harm.
- ⚠ Do not use this barbecue unless all parts are in place. The unit must be properly assembled according to the assembly instructions.
- ⚠ Do not build this model of grill in any built-in or slide in construction. Ignoring this Warning could cause a fire or an explosion that can damage property and cause serious bodily injury or death.
- ⚠ Proposition 65 Warning: Handling the brass material on this product exposes you to lead, a chemical known to the state of California to cause cancer, birth defects or other reproductive harm.
(Wash hands after handling this product.)

LIQUID PROPANE GAS UNITS ONLY:

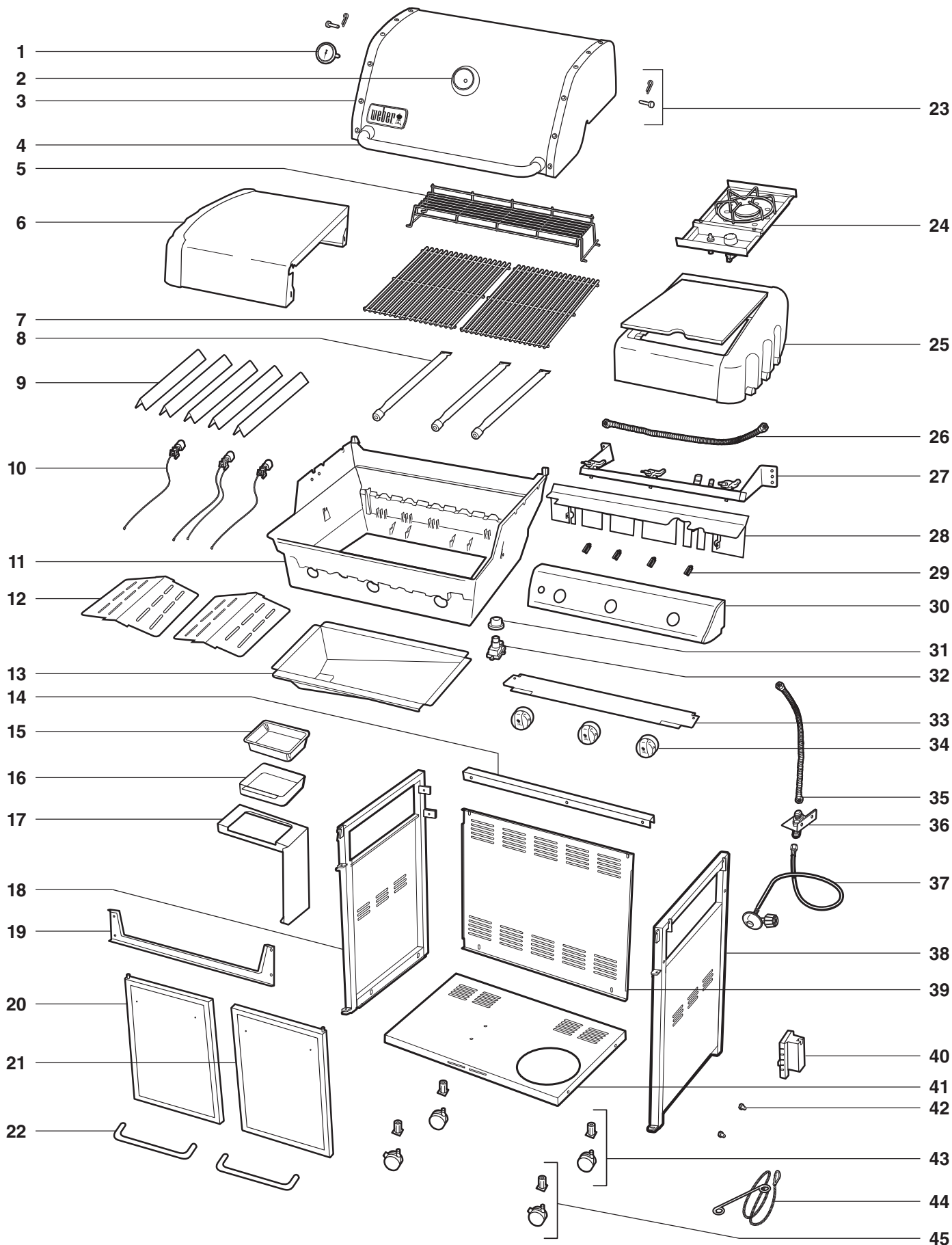
- ⚠ Use the pressure regulator and hose assembly that is supplied with your Weber® gas barbecue.
- ⚠ Do not attempt to disconnect the gas regulator and hose assembly or any gas fitting while your barbecue is in operation.
- ⚠ A dented or rusty liquid propane cylinder may be hazardous and should be checked by your liquid propane supplier. Do not use a liquid propane cylinder with a damaged valve.
- ⚠ Although your liquid propane cylinder may appear to be empty, gas may still be present, and the cylinder should be transported and stored accordingly.
- ⚠ If you see, smell or hear the hiss of escaping gas from the liquid propane cylinder:
 1. Move away from liquid propane cylinder.
 2. Do not attempt to correct the problem yourself.
 3. Call your fire department.

TABLE OF CONTENTS

WARNINGS	2	TROUBLESHOOTING	22
TABLE OF CONTENTS	3	SIDE BURNER TROUBLESHOOTING	22
EXPLODED VIEW 320	4	MAINTENANCE	23
EXPLODED VIEW LIST 320	5	CLEANING	23
EXPLODED VIEW 330	6	WEBER® SPIDER/INSECT SCREENS	23
EXPLODED VIEW LIST 330	7	BURNER TUBES CLEANING OR REPLACEMENT	24
WARRANTY	8	ELECTRONIC IGNITION SYSTEM OPERATIONS	26
GENERAL INSTRUCTIONS	9	SIDE BURNER MAINTENANCE	27
CANADIAN INSTALLATION	9	ANNUAL MAINTENANCE	27
OPERATING	9		
STORAGE AND/OR NONUSE	9		
GAS INSTRUCTIONS	10		
SAFE HANDLING TIPS FOR LIQUID PROPANE GAS CYLINDERS	10		
IMPORTANT LP CYLINDER INFORMATION	11		
LEAK CHECK PREPARATION	11		
CHECK FOR GAS LEAKS	13		
REFILLING THE LIQUID PROPANE CYLINDER	14		
BEFORE USING THE GRILL	15		
FUEL LEVEL	15		
SLIDE OUT GREASE TRAY AND DISPOSABLE DRIP PAN	15		
ELECTRONIC IGNITER INSPECTION	15		
HOSE INSPECTION	15		
MAIN BURNER IGNITION & USAGE	16		
MAIN BURNER IGNITION	16		
TO EXTINGUISH	16		
MAIN BURNER MANUAL IGNITION	17		
TO EXTINGUISH	17		
SEAR STATION® IGNITION & USAGE (330 MODEL)	18		
SEAR STATION® BURNER IGNITION	18		
SEAR STATION® BURNER MANUAL IGNITION	18		
USING THE SEAR STATION®	18		
GRILLING TIPS & HELPFUL HINTS	19		
PREHEATING	19		
COVERED COOKING	19		
DRIPPINGS AND GREASE	19		
FLAVORIZER® SYSTEM	19		
SEAR STATION®	19		
SIDE BURNER IGNITION & USAGE	20		
SIDE BURNER IGNITION	20		
TO EXTINGUISH	20		
SIDE BURNER MANUAL IGNITION	21		
TO EXTINGUISH	21		

EXPLODED VIEW 320 • DIAGRAMA DE DESPIECE 320 • VUE ECLATEE 320

Genesis_320_LP_US_61110

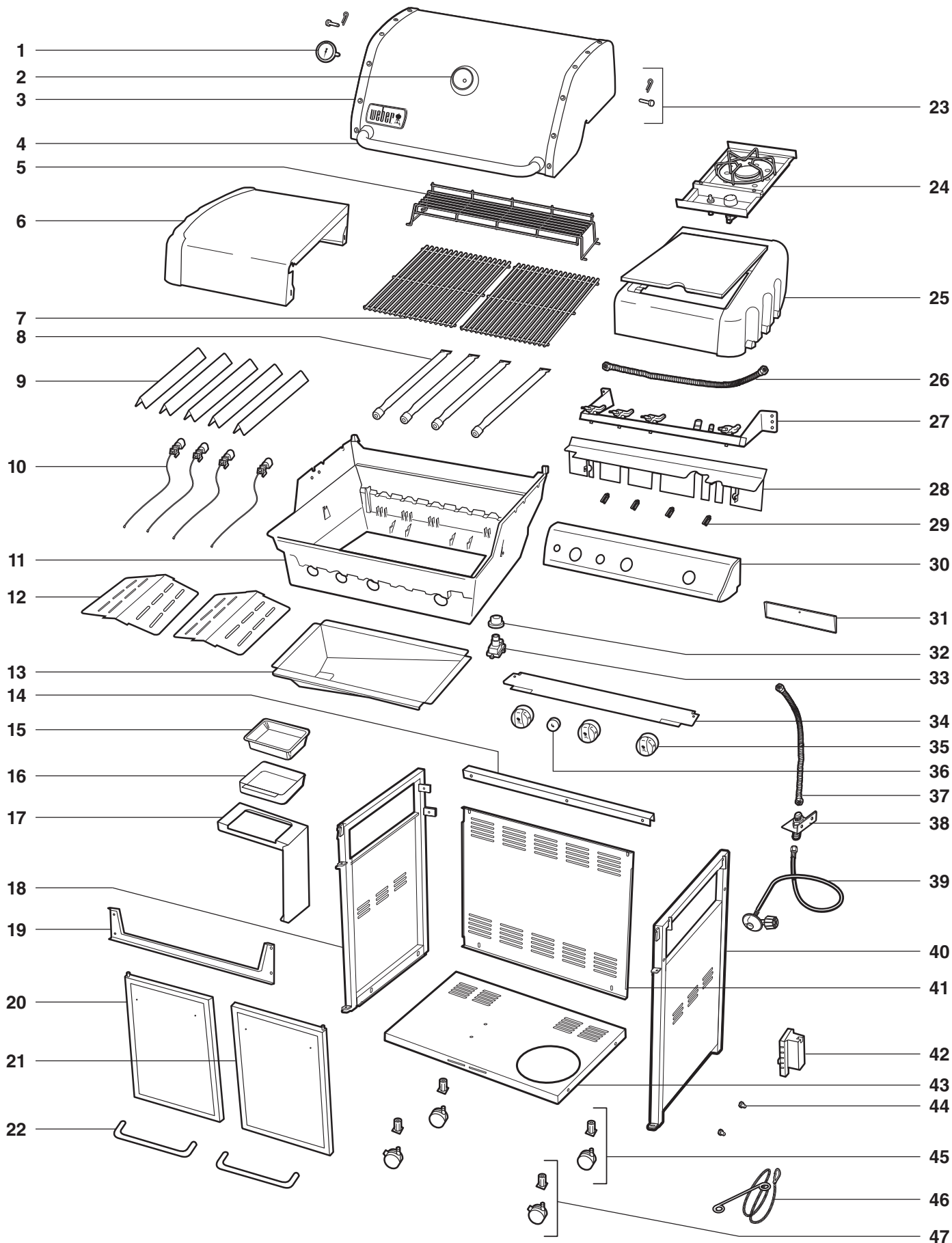


EXPLODED VIEW LIST 320 • LISTA DEL DIAGRAMA DE DESPIECE 320 • LISTE DE LA VUE ECLATEE 320

- | | | |
|--|--|--|
| 1. Thermometer
Termómetro
Thermomètre | 16. Catch Pan
Plato recolector
Egouttoir | 31. Igniter Button
Botón de encendido
Bouton de l'allumeur |
| 2. Thermometer Bezel
Moldura decorativa del termómetro
Collerette du thermomètre | 17. Catch Pan Holder
Soporte del plato recolector
Support pour égouttoir | 32. Igniter Module
Módulo de encendido
Module de l'allumeur |
| 3. Shroud
Cubierta
Etui | 18. Left Frame Panel
Panel izquierdo del bastidor
Panneau de châssis gauche | 33. Wind Deflector
Deflector de viento
Déflecteur de vent |
| 4. Handle
Asa
Poignée | 19. Front Frame Support
Soporte delantero del bastidor
Support de châssis avant | 34. Control Knob
Perilla de control
Bouton de commande |
| 5. Warming Rack
Rejilla de calentamiento
Grille de maintien au chaud | 20. Left Door
Puerta izquierda
Porte gauche | 35. Manifold Hose
Manguera del múltiple
Tuyau du collecteur |
| 6. Left Side Table
Mesa lateral izquierda
Tablette latérale gauche | 21. Right Door
Puerta derecha
Porte droite | 36. Bulkhead
Tabique divisorio
Tête du brûleur |
| 7. Cooking Grate
Parrilla de cocción
Grille de cuisson | 22. Door Handle
Asa de la puerta
Poignée de porte | 37. Hose / Regulator
Manguera / Regulador
Tuyau/Régulateur |
| 8. Burner Tube
Tubo quemador
Tube du brûleur | 23. Shroud Hardware
Accesorios de la cubierta
Quincaillerie de l'étui | 38. Right Frame Panel
Panel derecho del bastidor
Panneau de châssis droit |
| 9. Flavorizer® Bar
Barra Flavorizer®
Barre Flavorizer® | 24. Side Burner
Quemador lateral
Brûleur latéral | 39. Back Panel
Panel trasero
Panneau arrière |
| 10. Igniter
Encendedor
Allumeur | 25. Side Burner Table
Mesa del quemador lateral
Tablette du brûleur latéral | 40. Tank Scale
Báscula del tanque
Support de la bouteille |
| 11. Cookbox
Caja de cocción
Boîtier de cuisson | 26. Side Burner Gas Line
Línea de gas del quemador lateral
Conduite de gaz du brûleur latéral | 41. Bottom Panel
Panel inferior
Panneau inférieur |
| 12. Heat Deflector
Deflector de calor
Déflecteur de chaleur | 27. Manifold
Múltiple
Collecteur | 42. Tank Glide
Deslizadera del tanque
Glissière de la bouteille |
| 13. Slide Out Grease Tray
Bandeja deslizante de grasa
Plateau de récupération des graisses amovible | 28. Heat Shield
Pantalla contra el calor
Protection anti-chaleur | 43. Caster
Rueda giratoria
Roulette |
| 14. Rear Frame Support
Soporte posterior del bastidor
Support de châssis arrière | 29. Wire Clips
Grapas de alambre
Pincas de retenue des câbles | 44. Matchstick Holder
Portacerillos
Porte-allumette |
| 15. Disposable Drip Pan
Bandeja de goteo desechable
Egouttoir jetable | 30. Control Panel
Tablero de control
Panneau de commande | 45. Locking Caster
Rueda giratoria con bloqueo
Roulette de verrouillage |

EXPLODED VIEW 330 • DIAGRAMA DE DESPIECE 330 • VUE ECLATEE 330

Genesis_330_LP_US_061110



- | | | |
|--|---|---|
| 1. Thermometer
Termómetro
Thermomètre | 17. Catch Pan Holder
Soporte del plato recolector
Support pour égouttoir | 33. Igniter Module
Módulo de encendido
Module de l'allumeur |
| 2. Thermometer Bezel
Moldura decorativa del termómetro
Collerette du thermomètre | 18. Left Frame Panel
Panel izquierdo del bastidor
Panneau de châssis gauche | 34. Wind Deflector
Deflector de viento
Déflecteur de vent |
| 3. Shroud
Cubierta
Etui | 19. Front Frame Support
Soporte delantero del bastidor
Support de châssis avant | 35. Control Knob
Perilla de control
Bouton de commande |
| 4. Handle
Asa
Poignée | 20. Left Door
Puerta izquierda
Porte gauche | 36. Sear Station® Knob
Perilla de la estación de dorado Sear Station®
Bouton Sear Station® |
| 5. Warming Rack
Rejilla de calentamiento
Grille de maintien au chaud | 21. Right Door
Puerta derecha
Porte droite | 37. Manifold Hose
Manguera del múltiple
Tuyau du collecteur |
| 6. Left Side Table
Mesa lateral izquierda
Tablette latérale gauche | 22. Door Handle
Asa de la puerta
Poignée de porte | 38. Bulkhead
Tabique divisorio
Tête de brûleur |
| 7. Cooking Grate
Parrilla de cocción
Grille de cuisson | 23. Shroud Hardware
Accesorios de la cubierta
Quincaillerie de l'étui | 39. Hose / Regulator
Manguera / Regulador
Tuyau/Régulateur |
| 8. Burner Tube
Tubo quemador
Tube du brûleur | 24. Side Burner
Quegador lateral
Brûleur latéral | 40. Right Frame Panel
Panel derecho del bastidor
Panneau de châssis droit |
| 9. Flavorizer® Bar
Barra Flavorizer®
Barre Flavorizer® | 25. Side Burner Table
Mesa del quemador lateral
Tablette du brûleur latéral | 41. Back Panel
Panel trasero
Panneau arrière |
| 10. Igniter
Encendedor
Allumeur | 26. Side Burner Gas Line
Línea de gas del quemador lateral
Conduite de gaz du brûleur latéral | 42. Tank Scale
Báscula del tanque
Support de la bouteille |
| 11. Cookbox
Caja de cocción
Boîtier de cuisson | 27. Manifold
Múltiple
Collecteur | 43. Bottom Panel
Panel inferior
Panneau inférieur |
| 12. Heat Deflector
Deflector de calor
Déflecteur de chaleur | 28. Heat Shield
Pantalla contra el calor
Protection anti-chaleur | 44. Tank Glide
Deslizadera del tanque
Glissière de la bouteille |
| 13. Slide Out Grease Tray
Bandeja deslizante de grasa
Plateau de récupération des graisses amovible | 29. Wire Clips
Grapas de alambre
Pincas de retenue de câbles | 45. Caster
Rueda giratoria
Roulette |
| 14. Rear Frame Support
Soporte posterior del bastidor
Support de châssis arrière | 30. Control Panel
Tablero de control
Panneau de commande | 46. Matchstick Holder
Portacerillos
Porte-allumette |
| 15. Disposable Drip Pan
Bandeja de goteo desechable
Égouttoir jetable | 31. Sear Burner Heat Shield
Pantalla contra el calor del quemador para dorar
Protection anti-chaleur du brûleur Sear | 47. Locking Caster
Rueda giratoria con bloqueo
Roulette à verrouillage |
| 16. Catch Pan
Plato recolector
Égouttoir | 32. Igniter Button
Botón de encendido
Bouton de l'allumeur | |

WARRANTY

Weber-Stephen Products Co. (Weber) hereby warrants to the ORIGINAL PURCHASER of this Weber® gas grill that it will be free of defects in material and workmanship from the date of purchase as follows:

Aluminum castings:	25-years (2 years on paint; excludes fading)
Stainless steel shroud:	25-years
Porcelain-enameled shroud:	25-years
Stainless steel burners tubes:	10-years
Stainless steel cooking grates:	5-years no rust through or burn through
Stainless steel Flavorizer® bars:	5-years no rust through or burn through
Porcelain-enameled cast-iron cooking grates:	5-year no rust through or burn through
Porcelain-enameled cooking grates:	3-years no rust through or burn through
Porcelain-enameled Flavorizer® bars:	2-years no rust through or burn through
Infrared rotisserie burner:	2-years
All remaining parts:	2-years

when assembled and operated in accordance with the printed instructions accompanying it. Weber may require reasonable proof of your date of purchase. THEREFORE, YOU SHOULD RETAIN YOUR SALES SLIP OR INVOICE.

This Limited Warranty shall be limited to the repair or replacement of parts that prove defective under normal use and service and which on examination shall indicate, to Weber's satisfaction, they are defective. Before returning any parts, contact the Customer Service Representative in your area using the contact information on our website. If Weber confirms the defect and approves the claim, Weber will elect to replace such parts without charge. If you are required to return defective parts, transportation charges must be prepaid. Weber will return parts to the purchaser, freight or postage prepaid.

This Limited Warranty does not cover any failures or operating difficulties due to accident, abuse, misuse, alteration, misapplication, vandalism, improper installation or improper maintenance or service, or failure to perform normal and routine maintenance, including but not limited to damage caused by insects within the burner tubes, as set out in this owner's manual.

Deterioration or damage due to severe weather conditions such as hail, hurricanes, earthquakes or tornadoes, discoloration due to exposure to chemicals either directly or in the atmosphere, is not covered by this Limited Warranty.

There are no other express warrants except as set forth herein and any applicable implied warranties of merchantability and fitness are limited in duration to the period of coverage of this express written Limited Warranty. Some regions do not allow limitation on how long an implied warranty lasts, so this limitation may not apply to you.

Weber is not liable for any special, indirect or consequential damages. Some regions do not allow the exclusion or limitation of incidental or consequential damages, so this limitation or exclusion may not apply to you.

Weber does not authorize any person or company to assume for it any other obligation or liability in connection with the sale, installation, use, removal, return, or replacement of its equipment; and no such representations are binding on Weber.

This Warranty applies only to products sold at retail.

WEBER-STEPHEN PRODUCTS CO.

**Customer Service Center
1890 Roselle Road, Suite 308
Schaumburg, IL 60195
USA**

**For replacement parts call:
1-800-446-1071**

Visit www.weber.com®, select your country of origin, and register your grill today. ♦

GENERAL INSTRUCTIONS

Your Weber® gas barbecue is a portable outdoor cooking appliance. With the Weber® gas barbecue you can grill, barbecue, roast and bake with results that are difficult to duplicate with indoor kitchen appliances. The closed lid and Flavorizer® bars produce that “outdoor” flavor in the food.

The Weber® gas barbecue is portable so you can easily change its location in your yard or on your patio. Portability means you can take your Weber® gas barbecue with, if you move.

Liquid Propane (LP) gas supply is easy to use and gives you more cooking control than charcoal fuel.

- These instructions will give you the minimum requirements for assembling your Weber® gas barbecue. Please read the instructions carefully before using your Weber® gas barbecue. Improper assembly can be dangerous.
- Not for use by children.
- If there are local codes that apply to portable gas grills, you will have to conform to them. Installation must conform with local codes or, in the absence of local codes, with either the National Fuel Gas Code, ANSI Z223.1/NFPA 54, Natural Gas and Propane Installation Code, CSA B149.1, or Propane Storage and Handling Code, B149.2, or the Standard for Recreational Vehicles, ANSI A 119.2/NFPA 1192, and CSA Z240 RV Series, Recreational Vehicle Code, as applicable.
- The pressure regulator supplied with the Weber® gas barbecue must be used. This regulator is set for 11 inches of water column (pressure).
- This Weber® gas barbecue is designed for use with liquid propane (LP) gas only. Do not use with natural (piped in city) gas. The valves, orifices, hose and regulator are for LP gas only.
- Do not use with charcoal fuel.
- Check that the area under the control panel and the slide out grease tray are free from debris that might obstruct the flow of combustion or ventilation air.
- The areas around the LP cylinder must be free and clear from debris.
- Replacement pressure regulators and hose assemblies must be those specified by Weber-Stephen Products Co. ♦

CANADIAN INSTALLATION

These instructions, while generally acceptable, do not necessarily comply with the Canadian Installation codes, particularly with piping above and below ground. In Canada the installation of this appliance must comply with local codes and/or Standard CSA-B149.2 (Propane Storage and Handling Code). ♦

OPERATING

- ⚠ **WARNING: Only use this barbecue outdoors in a well-ventilated area. Do not use in a garage, building, breezeway or any other enclosed area.**
- ⚠ **WARNING: Keep ventilation openings for cylinder enclosure free and clear from debris.**
- ⚠ **WARNING: Your Weber® gas barbecue shall not be used under overhead combustible construction.**
- ⚠ **WARNING: Your Weber® gas barbecue is not intended to be installed in or on recreational vehicles and/or boats.**
- ⚠ **WARNING: Do not use the barbecue within 24 inches of combustible materials.**
- ⚠ **WARNING: The entire cookbox gets hot when in use. Do not leave unattended.**
- ⚠ **WARNING: Keep electrical supply cord and the fuel supply hose away from heated surfaces.**
- ⚠ **WARNING: Keep the cooking area clear of flammable vapors and liquids such as gasoline, alcohol, etc., and combustible materials.**
- ⚠ **WARNING: Never store an extra (spare) LP cylinder under or near the Weber® gas barbecue.**
- ⚠ **WARNING: The LP cylinder used with your barbecue must be with a listed OPD (Overfilling Prevention Device) and a QCC1 or Type 1 (CGA810) cylinder connection. The cylinder connection must be compatible with the barbecue connection.** ♦

STORAGE AND/OR NONUSE

- The gas must be turned off at the liquid propane cylinder when the Weber® gas barbecue is not in use.
- When the Weber® gas barbecue is stored indoors, the gas supply must be DISCONNECTED and the LP cylinder stored outdoors in a well-ventilated space.
- LP cylinder must be stored outdoors in a well-ventilated area out of reach of children. Disconnected LP cylinder must not be stored in a building, garage or any other enclosed area.
- When the LP cylinder is not disconnected from the Weber® gas barbecue, the appliance and LP tank must be kept outdoors in a well-ventilated space.
- The Weber® gas barbecue should be checked for gas leaks and any obstructions in the burner tubes before using. (Refer to “MAINTENANCE/ANNUAL MAINTENANCE”).
- Check that the areas under the control panel and the drip tray are free from debris that might obstruct the flow of combustion or ventilation air.
- The Spider/Insect screens should also be checked for any obstructions. (Refer to “MAINTENANCE/ANNUAL MAINTENANCE”). ♦

GAS INSTRUCTIONS

SAFE HANDLING TIPS FOR LIQUID PROPANE GAS CYLINDERS

- Liquid Propane (LP) gas is a petroleum product as are gasoline and natural gas. LP gas is a gas at regular temperatures and pressures. Under moderate pressure, inside a cylinder, LP gas is a liquid. As the pressure is released, the liquid readily vaporizes and becomes gas.
- LP gas has an odor similar to natural gas. You should be aware of this odor.
- LP gas is heavier than air. Leaking LP gas may collect in low areas and prevent dispersion.
- To fill, take the LP cylinder to a gas propane dealer, or look up “gas-propane” in the phone book for other sources of LP gas.

⚠ WARNING: We recommend that your LP cylinder be filled at an authorized LP gas dealer, by a qualified attendant, who fills the tank by weight. IMPROPER FILLING IS DANGEROUS.

- Air must be removed from a new LP cylinder before the initial filling. Your LP dealer is equipped to do this.
- The LP cylinder must be installed, transported and stored in an upright position. LP cylinders should not be dropped or handled roughly.
- Never store or transport the LP cylinder where temperatures can reach 125° F (too hot to hold by hand - for example: do not leave the LP cylinder in a car on a hot day).

Note: A refill will last about 18-20 hours of cooking time at normal use. The fuel scale, a feature on some of our grills, will indicate the propane supply so you can refill before running out. You do not have to run out before you refill.

- Treat “empty” LP cylinders with the same care as when full. Even when the LP tank is empty of liquid there still may be gas pressure in the cylinder. Always close the cylinder valve before disconnecting.

⚠ CAUTION: Place dust cap on cylinder valve outlet whenever the cylinder is not in use. Only install the type of dust cap on the cylinder valve outlet that is provided with the cylinder valve. Other types of caps or plugs may result in leakage of propane.

- Do not use a damaged LP cylinder. Dented or rusty LP cylinders or LP cylinders with a damaged valve may be hazardous and should be replaced with a new one immediately.
- The joint where the hose connects to the LP cylinder must be leak tested each time the LP cylinder is reconnected. For example, test each time the LP cylinder is refilled.
- Be sure the regulator is mounted with the small vent hole pointed downward so that it will not collect water. This vent should be free of dirt, grease, bugs etc.
- The gas connections supplied with your Weber® gas appliance have been designed and tested to meet 100% CSA and ANSI requirements.

⚠ WARNING: Replacement LP tanks must match the regulator connection supplied with this Weber® gas appliance.

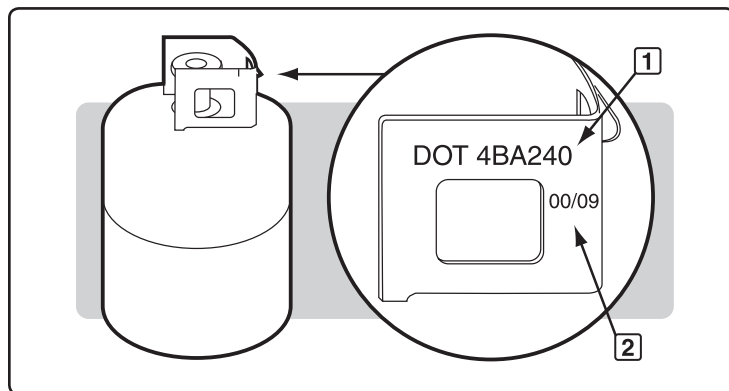
Liquid Propane Cylinder Requirements

- Check to be sure cylinders have a D.O.T. certification (1), and date tested (2) is within five years of use. Your LP gas supplier can do this for you.
- All LP tank supply systems must include a collar to protect the cylinder valve.
- The LP cylinder must be a 20-lb. size approximately 18¼ inches high, 12¼ inches in diameter.
- The cylinder must be constructed and marked in accordance with the Specifications for LP - Gas Cylinders of the U.S. Department of Transportation (D.O.T.) or the National Standard of Canada, CAN/CSA-B339, Cylinders, Spheres and Tubes or Transportation of Dangerous Goods; and Commission, as applicable.

Canadian Liquid Propane Cylinder Requirements

Note: Your retailer can help you match a replacement tank to your barbecue.

- The LP cylinder must be constructed and marked in accordance with the specifications for LP gas cylinders, T.C. ♦



GAS INSTRUCTIONS

IMPORTANT LP CYLINDER INFORMATION

⚠ DANGER

NEVER store a spare LP cylinder under or near Weber® gas appliances. **NEVER** fill the tank beyond 80% full. Failure to follow these statements exactly may result in a fire causing death or serious injury.

Weber® gas appliances are equipped for a cylinder supply system designed for vapor withdrawal.

⚠ WARNING: Only use Weber® gas appliances outdoors in a well-ventilated area. Do not use in a garage, building, breezeway or any other enclosed area.

The proper filling methods for the filling of your cylinder are by weight or volume, as described in NFPA 58. Please make sure your filling station fills your LP cylinder by weight or volume. Ask your filling station to read purging and filling instructions on the LP cylinder before attempting to fill. ♦

LEAK CHECK PREPARATION

Check That All Burner Valves Are Off

Valves are shipped in the OFF position, but you should check to be sure that they are turned off. Check by pushing down and turning clockwise. If they do not turn, they are off. If they do turn, continue turning them clockwise until they stop, then they are off.

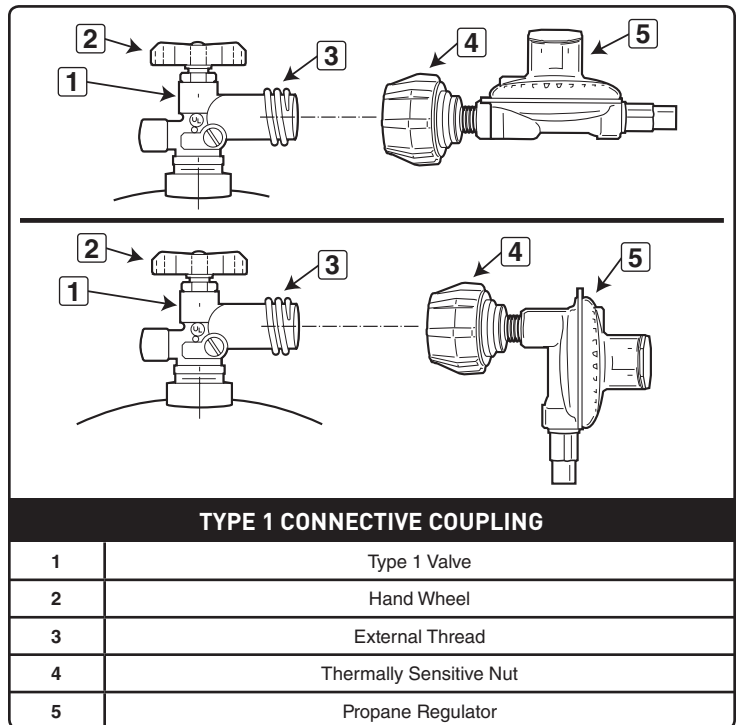
The Liquid Propane Cylinder

All Weber® liquid propane gas grill regulators are equipped with a UL-Listed tank connection as per the latest edition of ANSI Z21.58. This will require a liquid propane tank that is similarly equipped with a Type 1 connection in the tank valve. This Type 1 coupling allows you to make a fast and totally safe hookup between your gas grill and your liquid propane tank. It eliminates the chance of leaks due to a POL fitting that is not properly tightened. Gas will not flow from the tank unless the Type 1 coupling is fully engaged into the coupling.

⚠ WARNING: Make sure that the LP cylinder valve is closed. Close by turning valve clockwise.

⚠ DANGER

Do not use an open flame to check for gas leaks. Be sure there are no sparks or open flames in the area while you check for leaks. Sparks or flames will result in a fire or explosion which can cause serious bodily injury or death, and damage to property.



GAS INSTRUCTIONS

- A) Open base cabinet doors. Bring regulator and hose forward out of cabinet (1).
- B) Locate hose retention clip (2) on regulator hose. Secure into slot (3) on underside of tank scale.

⚠ WARNING: The hose must be secured to the tank scale with the Hose Retention Clip. Failure to do so could cause damage to the hose resulting in a fire or explosion which can cause serious bodily injury or death, and damage to property.

Some LP tanks have differing top collar assemblies. (The top collar is the metal protective ring around the valve.) One series of tanks mount with the valve facing front (4). The other tanks mount with the valve facing away from the fuel scale (5). Weber recommends the use of cylinder manufacturer's Manchester and Worthington, with a 47.6 lb water capacity. Other cylinders may be acceptable for use with the appliance provided they are compatible with the appliance retention means (see illustrations).

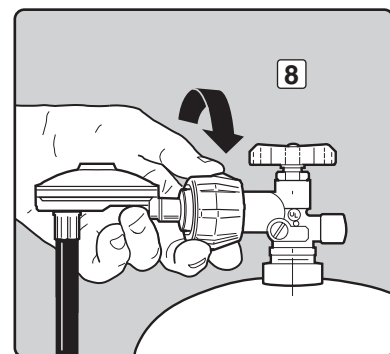
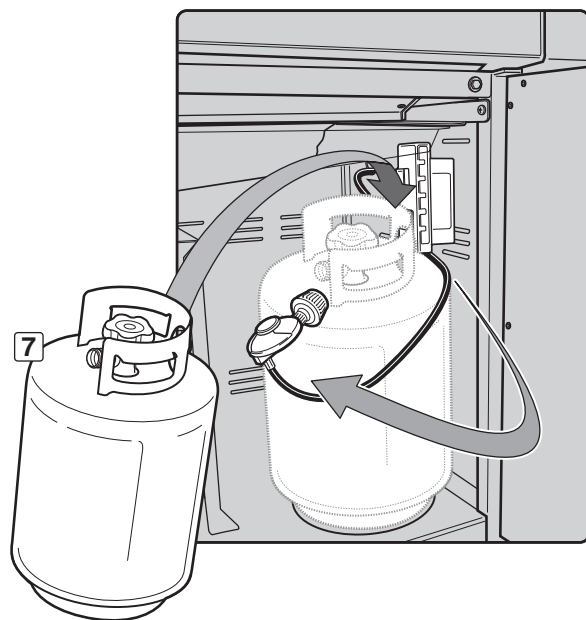
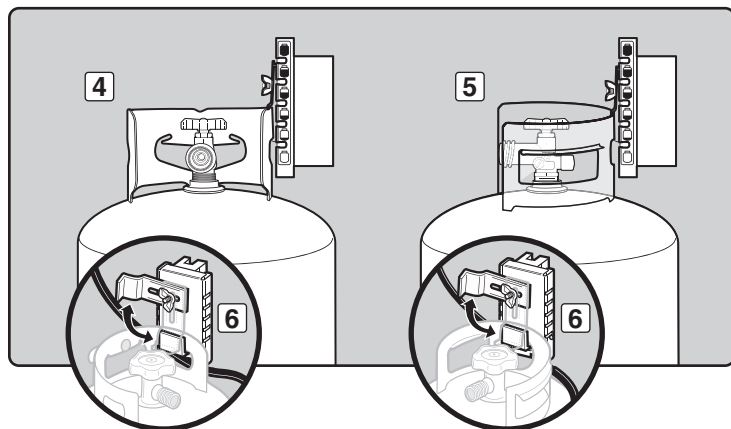
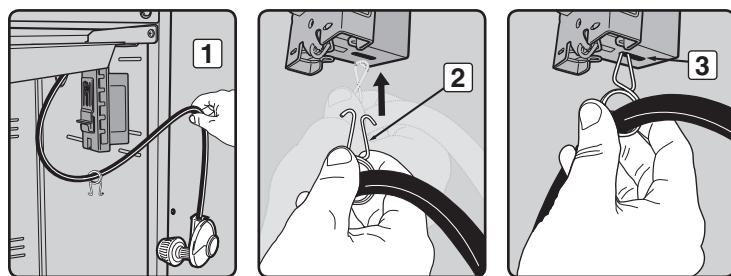
- The LP cylinder is installed inside the base cabinet, on the tank scale (right side).
- C) Loosen cylinder lock wing nut. Swing cylinder lock up (6).
- D) Turn the LP cylinder so the opening of the valve is either to the front or side of the Weber® gas barbecue.
- E) Lift tank up into position on the tank scale (7).
- F) Swing the cylinder lock down. Tighten the wing nut.

Connect The Hose To The Cylinder

- A) Remove the plastic dust cover from the valve.
- B) Screw the regulator coupling onto the tank valve, clockwise, or to the right (8). Hand-tighten only.

Note: This connection tightens clockwise and will not allow gas to flow unless the connection is tight. The connection requires tightening by hand only.

⚠ WARNING: Do not use a wrench to tighten the connection. Using a wrench could damage the regulator coupling and could cause a leak. ♦



GAS INSTRUCTIONS

Remove Control Knobs & Control Panel For Leak Testing

You will need: Phillips screwdriver.

- A) Remove control knobs, igniter button, retention nut, and battery (1).
- B) Remove screws from wind deflector with a Phillips screwdriver (2).
- C) Tilt end of wind deflector down and slide wind deflector away to remove (3).
- D) Let igniter module dangle from wires. Do not disconnect (4).
- E) Remove screws from underside of control panel with Phillips screwdriver (5).
- F) Lift control panel up slightly, tilt up front edge and gently lift up (6).
- G) Replace control panel and wind deflector when leak check is completed. ♦

CHECK FOR GAS LEAKS

⚠ DANGER

Do not use an open flame to check for gas leaks. Be sure there are no sparks or open flames in the area while you check for leaks. Sparks or open flames will result in a fire or explosion, which can cause serious bodily injury or death and damage to property.

Note: All factory-made connections have been thoroughly checked for gas leaks. The burners have been flame-tested. As a safety precaution however, you should recheck all fittings for leaks before using your Weber® gas barbecue. Shipping and handling may loosen or damage a gas fitting.

⚠ WARNING: The gas connections of your gas grill have been factory tested. We do however recommend that you leak check all gas connections before operating your gas grill.

⚠ WARNING: Perform these leak checks even if your barbecue was dealer or store assembled.

If your grill has a side burner make sure the side burner is turned off.

Turn on gas supply at source.

⚠ WARNING: Do not ignite burners when leak checking.

You will need: A soap and water solution and a rag or brush to apply it.

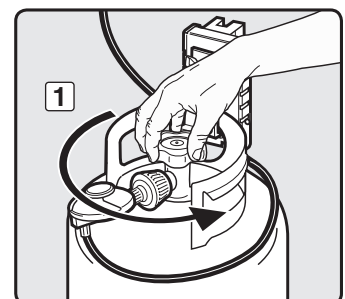
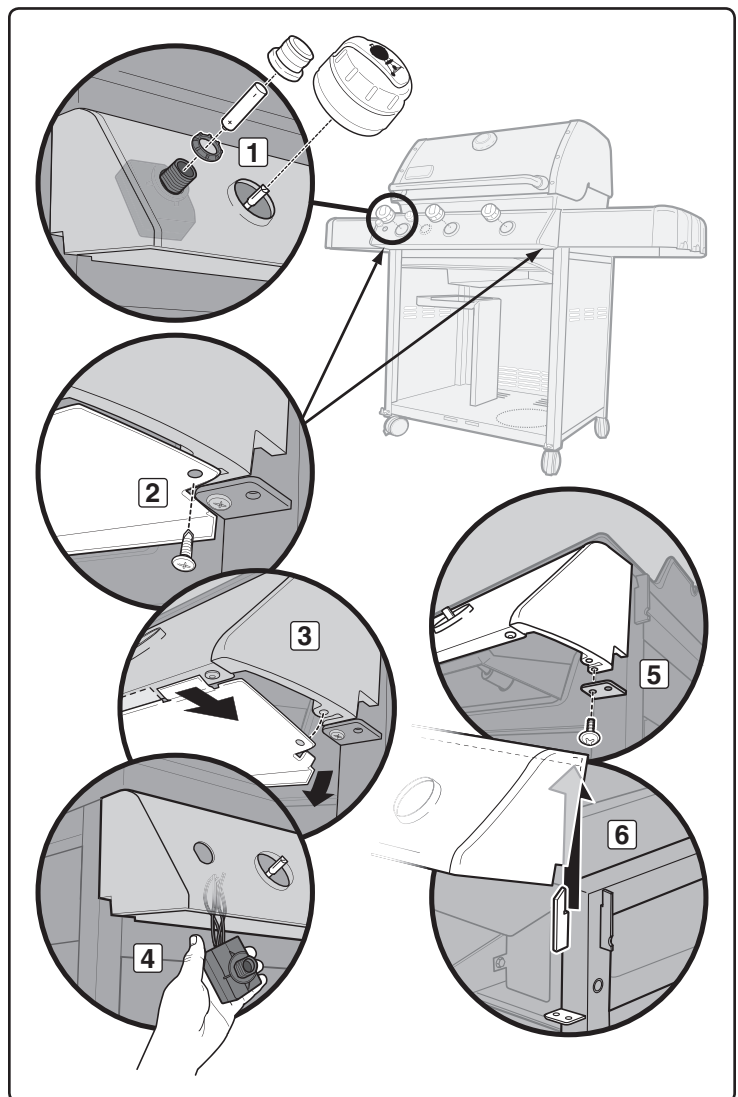
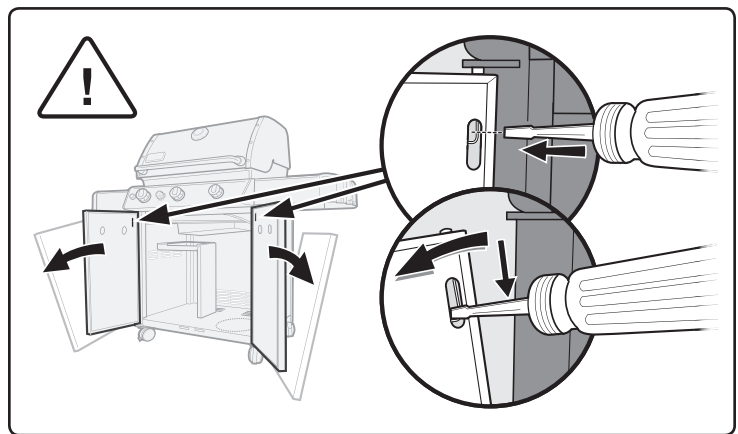
- A) Mix soap and water.
- B) Turn on gas supply (1).
- C) Check for leaks by wetting the fitting with the soap and water solution and watching for bubbles. If bubbles form, or if a bubble grows, there is a leak.

If there is a leak, turn off the gas and tighten the fitting. Turn the gas back on and recheck with the soap and water solution. If leak does not stop do not use the barbecue. Contact the customer service representative in your area using the contact information on our web site. Log onto www.weber.com.

- D) When leak checking is complete, turn gas supply off at the source and rinse connections with water.

Note: Since some leak test solutions, including soap and water, may be slightly corrosive, all connections should be rinsed with water after checking for leaks.

⚠ WARNING: You should check for gas leaks every time you disconnect and reconnect a gas fitting.



GAS INSTRUCTIONS

Check

- A) Regulator hose to bulkhead connection (1).
- B) Main gas line to bulkhead connection (2).
- C) Main gas line to manifold connections (3).
- D) Side burner gas line to manifold connection (4).
- E) Side burner pipe fitting to side burner cup (5).
- F) Side burner pipe fitting to side burner valve connections (6).

⚠ **WARNING:** If there is a leak at connection (1, 2, 3, 4, 5, or 6), retighten the fitting with a wrench and recheck for leaks with soap and water solution. If a leak persists after re-tightening the fitting, turn OFF the gas. DO NOT OPERATE THE GRILL. Contact the Customer Service Representative in your area using the contact information on our web site. Log onto www.weber.com®.

- G) Side burner quick disconnect connection (7).
- H) Regulator hose to cylinder connection (8).
- I) Regulator hose to regulator connection (9).
- J) Valves to manifold connections (10).

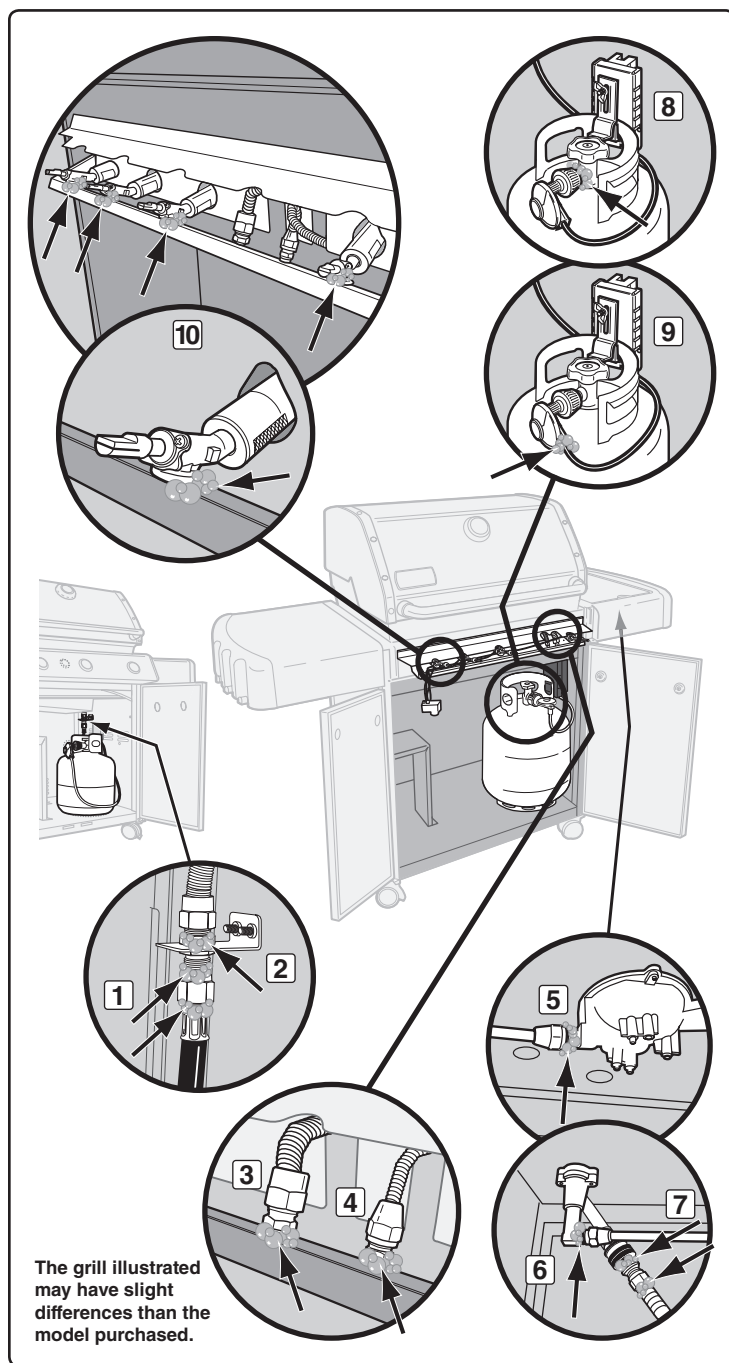
⚠ **WARNING:** If there is a leak at connections (7, 8, 9 or 10), turn OFF the gas. DO NOT OPERATE THE GRILL. Contact the Customer Service Representative in your area using the contact information on our web site. Log onto www.weber.com®.

When leak checks are complete, turn gas supply OFF at the source and rinse connections with water.

Reinstall Control Panel

You will need: Phillips screwdriver.

- A) Position top edge of control panel on tabs of frame. Push down into position.
- B) Reinstall igniter module.
- C) Slide both shorter wind deflector tabs toward inside edge of control panel while you slide longer tab over outside edge. Seek previous illustrations for reference.
- D) Line up screws with screw holes on both control panel bracket and frame.
- E) Tighten screws.
- F) Place corresponding control knobs onto valve stems. ♦



REFILLING THE LIQUID PROPANE CYLINDER

We recommend that you refill the LP cylinder before it is completely empty.

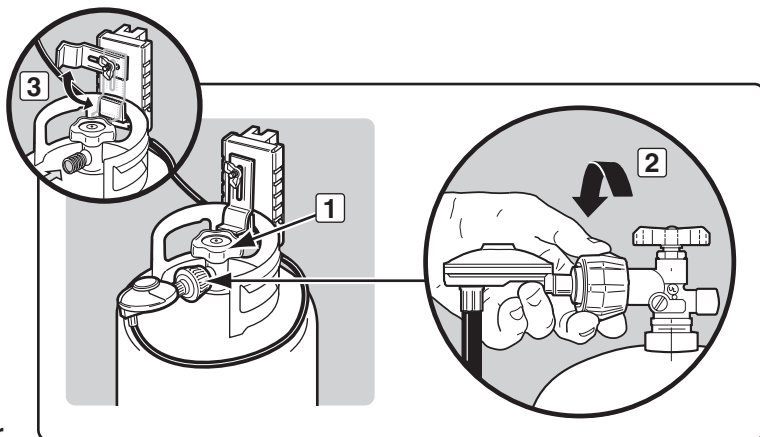
Removal of the LP cylinder:

- A) Close cylinder valve (turn clockwise) (1).
- B) Unscrew regulator coupling by turning counterclockwise, by hand only (2).
- C) Loosen cylinder lock wing nut and turn cylinder lock up out of the way (3).
- D) Lift cylinder off.

To fill, take the LP cylinder to a gas propane dealer, or look up "gas-propane" in the phone book for other sources of LP gas.

⚠ **WARNING:** We recommend that your LP cylinder be filled at an authorized LP gas dealer, by a qualified attendant, who fills the cylinder by weight. IMPROPER FILLING IS DANGEROUS.

⚠ **CAUTION:** Place dust cap on cylinder valve outlet whenever the cylinder is not in use. Only install the type of dust cap on the cylinder valve outlet that is provided with the cylinder valve. Other types of caps or plugs may result in leakage of propane. ♦

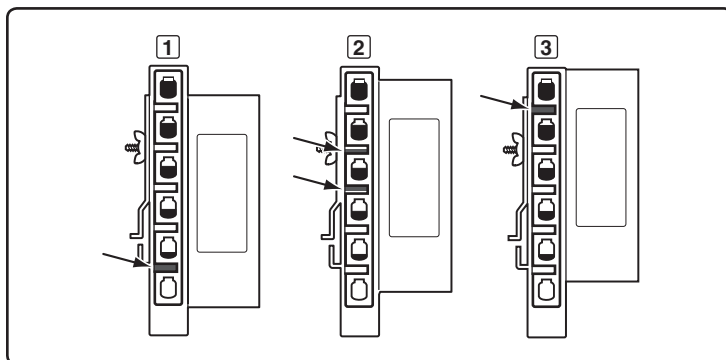


BEFORE USING THE GRILL

FUEL LEVEL

Check the fuel level by viewing the color indicator level line, located on the side of the tank scale.

- A) Empty (1)
- B) Medium (2)
- C) Full (3) ♦



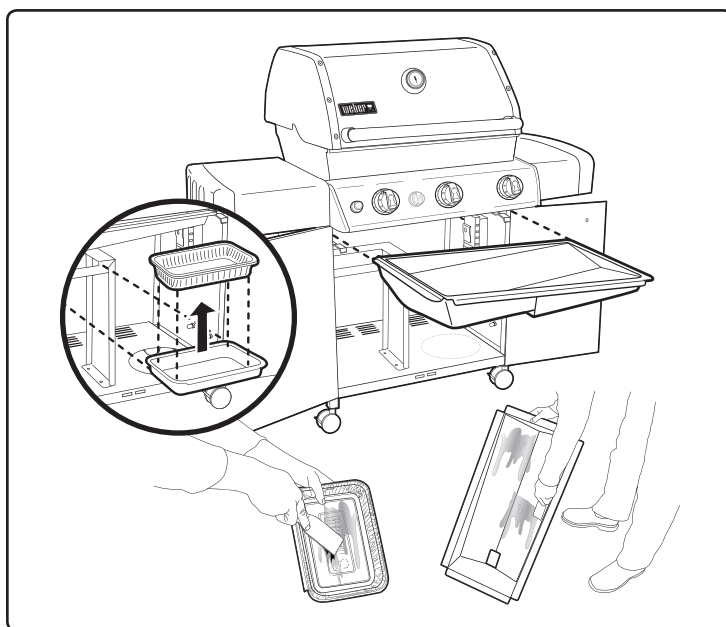
SLIDE OUT GREASE TRAY AND DISPOSABLE DRIP PAN

Your grill was built with a grease collection system. Check the slide out grease tray and disposable drip pan for grease build-up each time you use your grill.

Remove excess grease with a plastic spatula; see illustration. When necessary, wash the grease tray and drip pan with a soap and water solution, then rinse with clean water. Replace the disposable drip pan as needed.

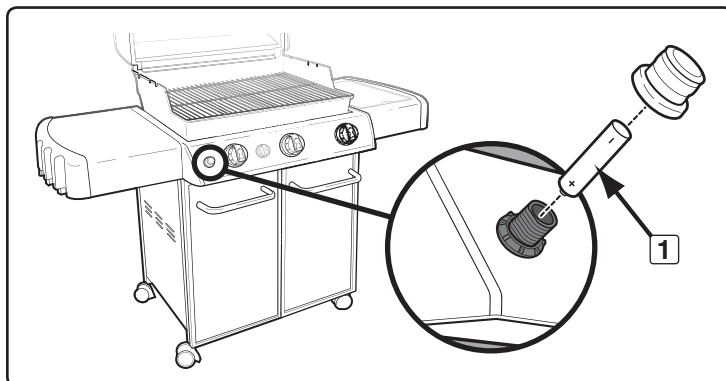
⚠ WARNING: Check the slide out grease tray and disposable drip pan for grease build-up before each use. Remove excess grease to avoid a grease fire. A grease fire can cause serious bodily injury or damage to property.

⚠ CAUTION: Do not line the slide out grease tray with aluminum foil. ♦



ELECTRONIC IGNITER INSPECTION

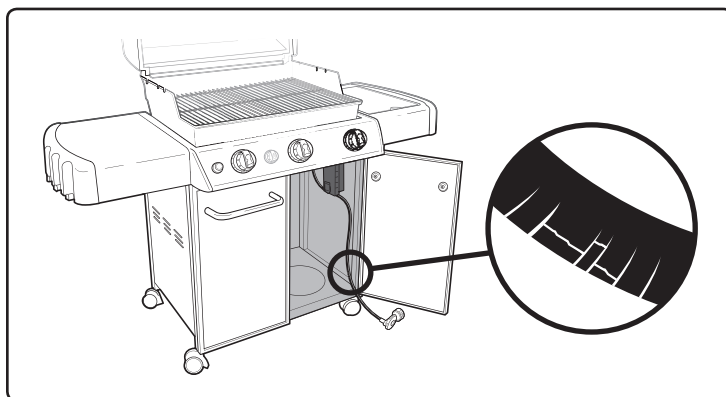
Verify that your AA battery (alkaline only) is in good condition and that it is installed correctly (1). Some batteries have a plastic protective wrap around them. This plastic must be removed. Do not confuse this plastic with the battery label. ♦



HOSE INSPECTION

The hose should be inspected for any signs of cracking.

⚠ WARNING: Check hose before each use of barbecue for nicks, cracking, abrasions or cuts. If the hose is found to be damaged in any way, do not use the barbecue. Replace using only Weber® authorized replacement hose. Contact the Customer Service Representative in your area using the contact information on our web site. Log onto www.weber.com®. ♦



MAIN BURNER IGNITION & USAGE

MAIN BURNER IGNITION

Summary lighting instructions are inside the left hand cabinet door.

⚠ DANGER

Failure to open the lid while igniting the barbecue's burners, or not waiting five minutes to allow the gas to clear if the barbecue does not light, may result in an explosive flare-up which can cause serious bodily injury or death.

Electronic Ignition System

Note: Each control knob operates an individual burner. The Electronic Ignition System ignites a burner with a spark from the igniter electrode inside the Gas Catcher™ ignition chamber. You generate the energy for the spark by pushing the electronic ignition button. You will hear it clicking.

⚠ **WARNING:** Check hose before each use of barbecue for nicks, cracking, abrasions or cuts. If the hose is found to be damaged in any way, do not use the barbecue. Replace using only Weber® authorized replacement hose. Contact the Customer Service Representative in your area using the contact information on our web site. Log onto www.weber.com®.

- A) Open the lid (1).
- B) Make sure all burner control knobs are turned off (2). (Push control knob in and turn clockwise to ensure that it is in the OFF position.)

⚠ **WARNING:** The burner control knobs must be in the OFF position before turning on the LP cylinder valve. If they are not in the OFF position, when you turn on the LP cylinder valve, the “excess gas flow control” feature will activate, limiting the flow of gas from the LP cylinder. If this should occur, turn OFF the LP cylinder valve and burner control knobs. Start over.

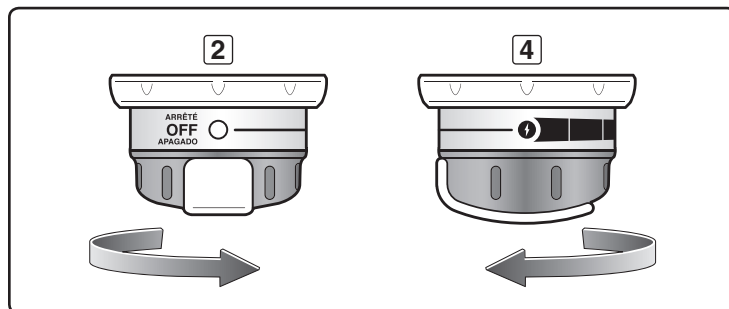
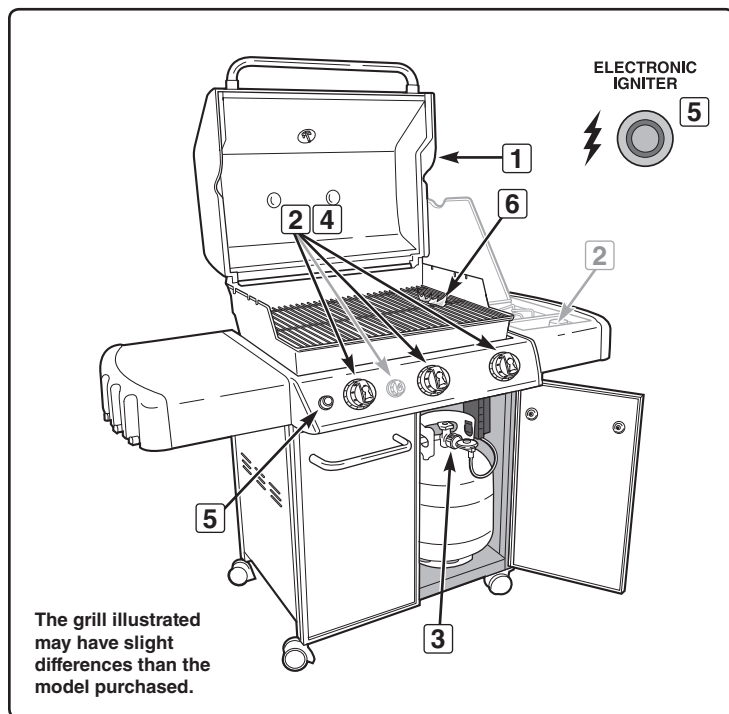
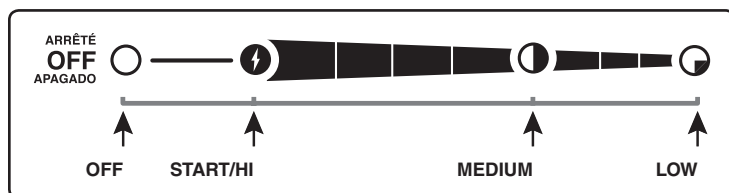
⚠ DANGER

When the “excess gas flow control” feature is activated, a small amount of gas is still flowing to the burners. After turning off the LP cylinder valve and burner control knobs, wait at least five minutes for the gas to clear before attempting to light the grill. Failure to do so may result in an explosive flare-up, which can cause serious bodily injury or death.

- C) Turn the cylinder on by slowly turning the cylinder valve counterclockwise (3).
- ⚠ **WARNING:** Do not lean over the open barbecue.
- D) Push control knob in and turn to START/HI (4).
- E) Push and hold the electronic ignition button. You will hear it clicking (5).
- F) Check that the burner is lit by looking through the cooking grates. You should see a flame (6).
- ⚠ **WARNING:** If the burner does not light in five seconds, stop, turn the control knob to OFF and wait five minutes to let the gas clear before you try again or try to light with a match.
- G) To light remaining burners follow steps D through F. ♦

TO EXTINGUISH

Push in and turn each burner control knob clockwise to the OFF position. Turn gas supply off at the source. ♦



MAIN BURNER IGNITION & USAGE

MAIN BURNER MANUAL IGNITION

⚠ DANGER

Failure to open the lid while igniting the barbecue's burners, or not waiting five minutes to allow the gas to clear if the barbecue does not light, may result in an explosive flare-up which can cause serious bodily injury or death.

- A) Open the lid (1).
- B) Make sure all burner control knobs are turned off (2). (Push control knob in and turn clockwise to ensure that it is in the OFF position.)

⚠ **WARNING:** The burner control knobs must be in the OFF position before turning on the LP cylinder valve. If they are not in the OFF position, when you turn on the LP cylinder valve, the "excess gas flow control" feature will activate, limiting the flow of gas from the LP cylinder. If this should occur, turn off the LP cylinder valve and burner control knobs. Start over.

⚠ DANGER

When the "excess gas flow control" feature is activated, a small amount of gas is still flowing to the burners. After turning off the cylinder and burner control knobs, wait at least five minutes for the gas to clear before attempting to light the barbecue. Failure to do so may result in an explosive flare-up, which can cause serious bodily injury or death.

- C) Turn the cylinder on by slowly turning the cylinder valve counterclockwise (3).
- D) Put match in the match holder and strike match.
- E) Insert match holder with lit match down through cooking grates and Flavorizer® bars to ignite the selected burner (4).

⚠ **WARNING:** Do not lean over open barbecue.

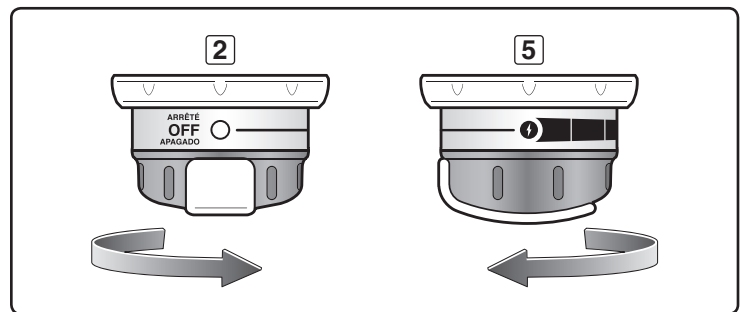
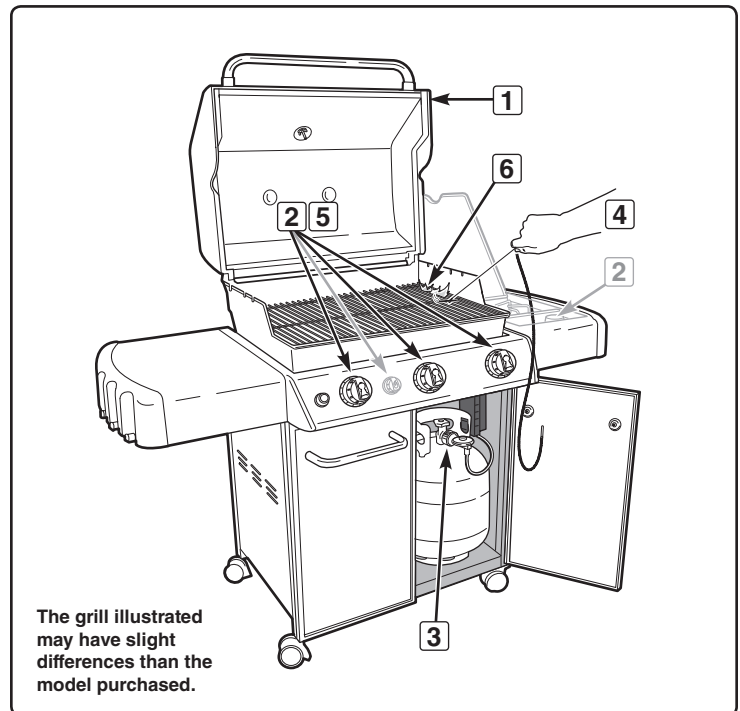
- F) Push control knob in and turn to START/HI (5).
- G) Check that the burner is lit by looking through the cooking grates. You should see a flame (6).

⚠ **WARNING:** If the burner does not light in five seconds, stop, turn the control knob to OFF and wait five minutes to let the gas clear before you try again or try to light with a match.

- H) To light remaining burners follow steps D through G. ♦

TO EXTINGUISH

Push in and turn each burner control knob clockwise to the OFF position. Turn gas supply off at the source. ♦



SEAR STATION® IGNITION & USAGE (330 MODEL)

SEAR STATION® BURNER IGNITION

The 330 model includes a sear burner. The sear burner also operates as an individual burner. Therefore, ignition of the sear burner is the same as ignition of the main burner. To ignite the sear burner refer to "MAIN BURNER IGNITION:" ♦

SEAR STATION® BURNER MANUAL IGNITION

To manually ignite the sear burner refer to "MAIN BURNER MANUAL IGNITION:" ♦

USING THE SEAR STATION®

Your Weber® gas barbecue includes a sear burner for searing meats such as steak, poultry parts, fish, and chops.

Searing is a direct grilling technique which browns the surface of the food at a high temperature. By searing or browning both sides of the meat you will create a more desirable flavor by caramelizing the food surface. Searing will also enhance appearance of the meat with sear marks from the cooking grates. This along with the contrast of textures and flavors can make food more interesting to the palate.

The Sear Station® burner has an OFF, START/HI, and LOW control setting that works with the Left and Center burners. With the sear and adjacent burners you can effectively sear meats while using the Right burner cooking area for grilling with moderate heat.

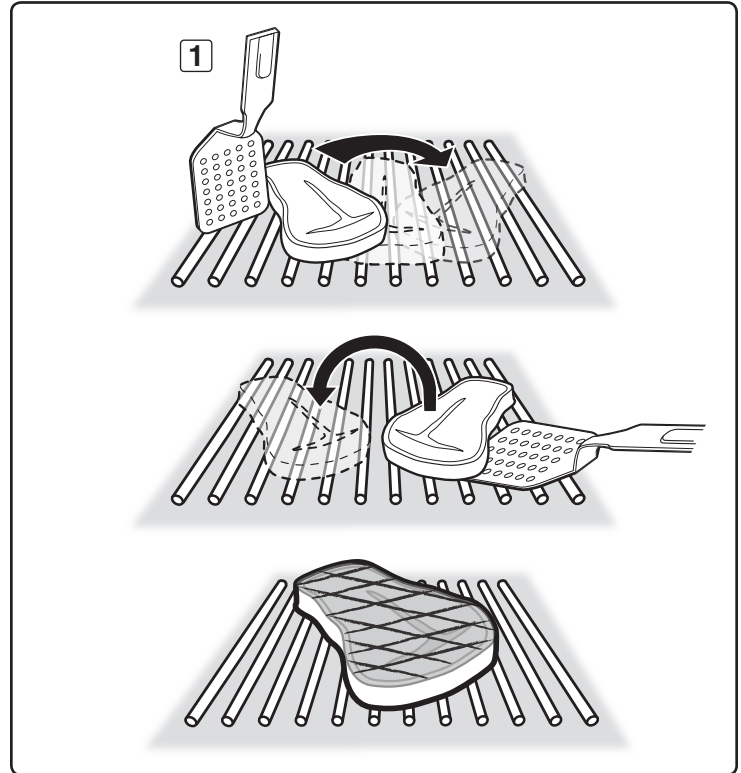
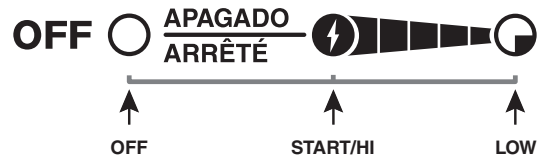
Before searing you should turn all of the main burners on HI for 15 minutes to preheat the grill. Always grill with the lid closed to allow for maximum heat and to avoid flare ups.

Once the grill is preheated, turn the Right burner off or down. Leave the Left and Center burners on HI and ignite the Sear Station® burner.

Place the meat directly over the Sear Station®. You will sear each side anywhere from 1 to 4 minutes, depending on the type of meat and thickness. You may turn the food a quarter turn to make crossing sear marks (1) before you sear the other side in the same manner.

Once you are done searing you can finish grilling by moving the meat to a more moderate heat over the Right burner to achieve the desired doneness.

As you gain experience in using your Sear Station®, we encourage you to experiment with different searing times to find results that work best for your taste. ♦



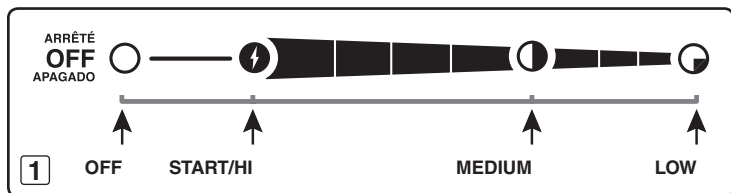
GRILLING TIPS & HELPFUL HINTS

- Always preheat the grill before cooking. Set all burners on HI heat and close lid; heat for 10 minutes, or until thermometer registers 500°-550° F (260°-288°C).
- Sear meats and cook with the lid down for perfectly grilled food every time.
- Grilling times in recipes are based on 70°F (20°C) weather and little or no wind. Allow more cooking time on cold or windy days, or at higher altitudes. Allow less cooking time in extremely hot weather.
- Grilling times can vary because of the weather, or the amount, size and shape of the food being grilled.
- The temperature of your gas grill may run hotter than normal for the first few uses.
- Grilling conditions may require the adjustment of the burner controls to attain the correct cooking temperatures.
- In general, large pieces of meat will require more cooking time per pound than small pieces of meat. Foods on a crowded cooking grate will require more cooking time than just a few foods. Foods grilled in containers, such as baked beans, will require more time if grilled in a deep casserole rather than a shallow baking pan.
- Trim excess fat from steaks, chops and roasts, leaving no more than a scant ¼ inch (6.4mm) of fat. Less fat makes cleanup easier, and is a virtual guarantee against unwanted flare-ups.
- Foods placed on the cooking grate directly above burners may require turning or moving to a less hot area.
- Use tongs rather than a fork for turning and handling meats to avoid losing natural juices. Use two spatulas for handling large whole fish.
- If an unwanted flare-up should occur, turn all burners off and move food to another area of the cooking grate. Any flames will quickly subside. After flames subside, relight the grill. **NEVER USE WATER TO EXTINGUISH FLAMES ON A GAS GRILL.**
- Some foods, such as a casserole or thin fish fillets, will require a container for grilling. Disposable foil pans are very convenient, but any metal pan with ovenproof handles can also be used.
- Always be sure the slide out grease tray and catch pan are clean and free from debris.
- Do not line the slide out grease tray with foil. This could prevent the grease from flowing into the catch pan.
- Using a timer will help to alert you when “well-done” is about to become “over-done.”

Note: If grill loses heat while cooking refer to the troubleshooting section of this manual.

⚠ WARNING: Do not move the Weber® gas barbecue when operating or while barbecue is hot.

You can adjust the individual burners as desired. The control settings (1) are OFF, START/HI, MEDIUM, or LOW.



Note: The temperature inside your cookbox for the first few uses, while surfaces are still very reflective, may be hotter than those shown in your cookbook. Cooking conditions, such as wind and weather, may require the adjustment of the burner controls to obtain the correct cooking temperatures.

If burners go out during cooking, turn off all burners and wait five minutes before relighting. ♦

PREHEATING

Your Weber® gas barbecue is an energy-efficient appliance. It operates at an economical low BTU rate. Preheating the grill before grilling is important. Light your grill according to the instructions in this Owner's Manual. To preheat: after lighting turn all burners to START/HI, close the lid, and heat until the temperature reaches between 500° and 550° F (260° and 290° C), the recommended broiling temperature. This will take 10 to 15 minutes depending on conditions such as air temperature and wind. ♦

COVERED COOKING

All grilling is done with the lid down to provide uniform, evenly circulated heat. With the lid closed, the gas grill cooks much like a convection oven. The thermometer in the lid indicates the cooking temperature inside the grill. All preheating and grilling is done with the lid down. No peeking — heat is lost every time you lift the lid. ♦

DRIPPINGS AND GREASE

The Flavorizer® bars are designed to “smoke” the correct amount of drippings for flavorful cooking. Excess drippings and grease will accumulate in the catch pan under the slide out grease tray. Disposable foil drip pans are available that fit the catch pan.

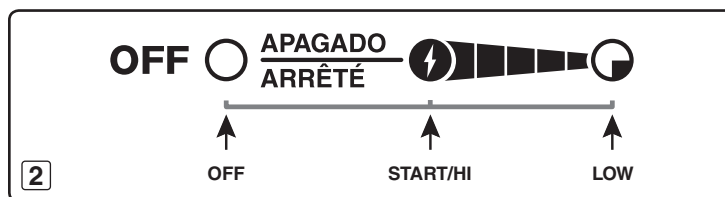
⚠ WARNING: Check the slide out grease tray and catch pan for grease build-up before each use. Remove excess grease to avoid a grease fire in the slide out grease tray. ♦

FLAVORIZER® SYSTEM

When meat juices drip from the food onto the specially angled Flavorizer® bars, they create smoke that gives foods an irresistible barbecued flavor. Thanks to the unique design of the burners, Flavorizer® bars and the flexible temperature controls, uncontrolled flare-ups are virtually eliminated, because YOU control the flames. Because of the special design of the Flavorizer® bars and burners, excess fats are directed through the slide out grease tray into the grease catch pan. ♦

SEAR STATION®

Your Weber® gas barbecue may include a sear burner for searing thin meats and fish. The Sear Station® burner has an OFF, START/HI, or LOW control setting (2) that works with the two adjacent main burners. With the sear and adjacent burners you can effectively sear meats while using other cooking areas for cooking with moderate heat (Refer to “SEAR STATION® IGNITION & USAGE (330 MODEL)” section). ♦



SIDE BURNER IGNITION & USAGE

SIDE BURNER IGNITION

Summary lighting instructions are inside the left hand cabinet door.

⚠ DANGER

Failure to open the lid while igniting the side burner, or not waiting five minutes to allow the gas to clear if the side burner does not light, may result in an explosive flare-up which can cause serious bodily injury or death.

⚠ **WARNING:** Check hose before each use of barbecue for nicks, cracking, abrasions or cuts. If the hose is found to be damaged in any way, do not use the barbecue. Replace using only Weber® authorized replacement hose. Contact the Customer Service Representative in your area using the contact information on our web site. Log onto www.weber.com®.

- A) Open the side burner lid (1).
- B) Check that the side burner valve is turned off (2) (Push control knob in and turn clockwise to ensure that it is in the OFF position), turn all burners not being used to the OFF position (push in and turn clockwise).
- C) Turn the gas supply valve on (3).
- D) Push down and turn the side burner control valve to START/HI (4).
- E) Press the igniter button several times so it clicks each time until you see a flame (5).

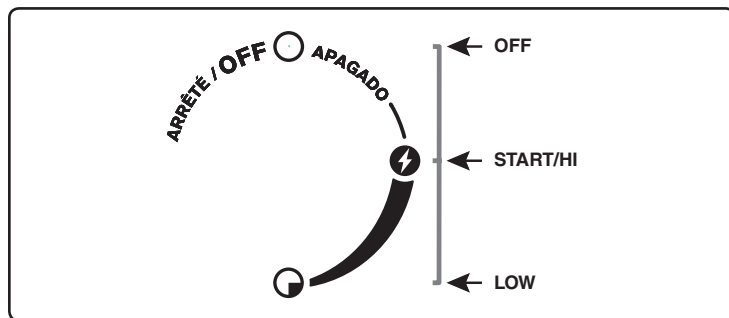
⚠ **CAUTION:** Side burner flame may be difficult to see on a bright sunny day.

⚠ **WARNING:** If the side burner does not light in five seconds:

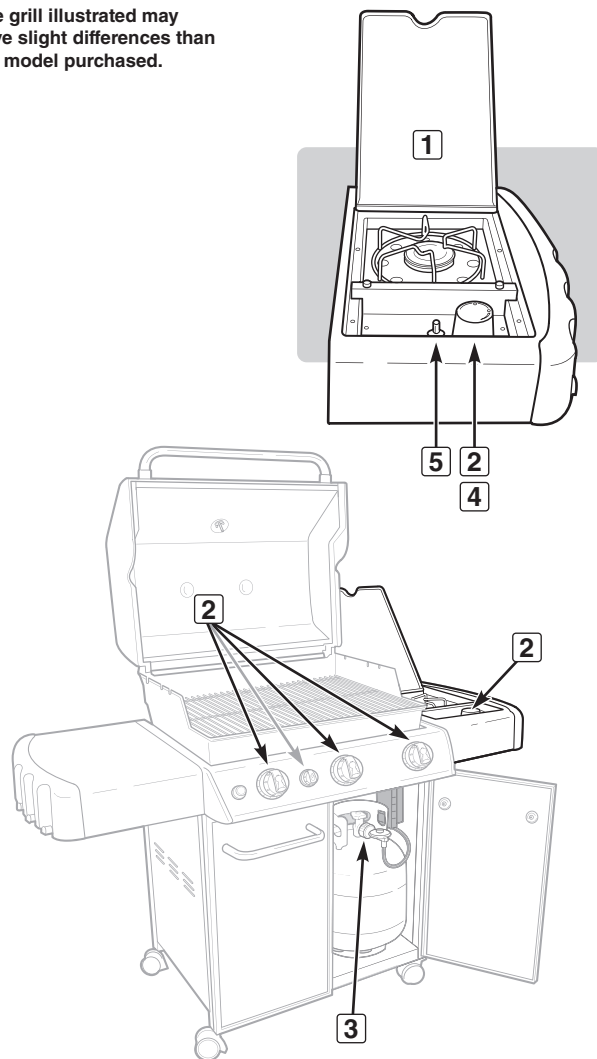
- a) Turn off the side burner control valve, main burners and gas supply at source.
- b) Wait five minutes to let the gas clear before you try again, or try lighting with a match (refer to "SIDE BURNER MANUAL IGNITION"). ♦

TO EXTINGUISH

Push down and turn side burner control knob to the OFF position. Be sure the burner is off and cool before closing the side burner lid. ♦



The grill illustrated may have slight differences than the model purchased.



SIDE BURNER IGNITION & USAGE

SIDE BURNER MANUAL IGNITION

⚠ DANGER

Failure to open the lid while igniting the side burner, or not waiting five minutes to allow the gas to clear if the side burner does not light, may result in an explosive flare-up that can cause serious bodily injury or death.

- A) Open the side burner lid (1).
- B) Check that the side burner valve is turned off (2) (Push control knob in and turn clockwise to ensure that it is in the OFF position), turn all burners not being used to the OFF position (push in and turn clockwise).
- C) Turn the gas supply valve on (3).
- D) Put match in a match holder and strike match.
- E) Hold match holder and lit match by either side of the side burner (4).
- F) Push down and turn the side burner control valve to START/Hi (5).

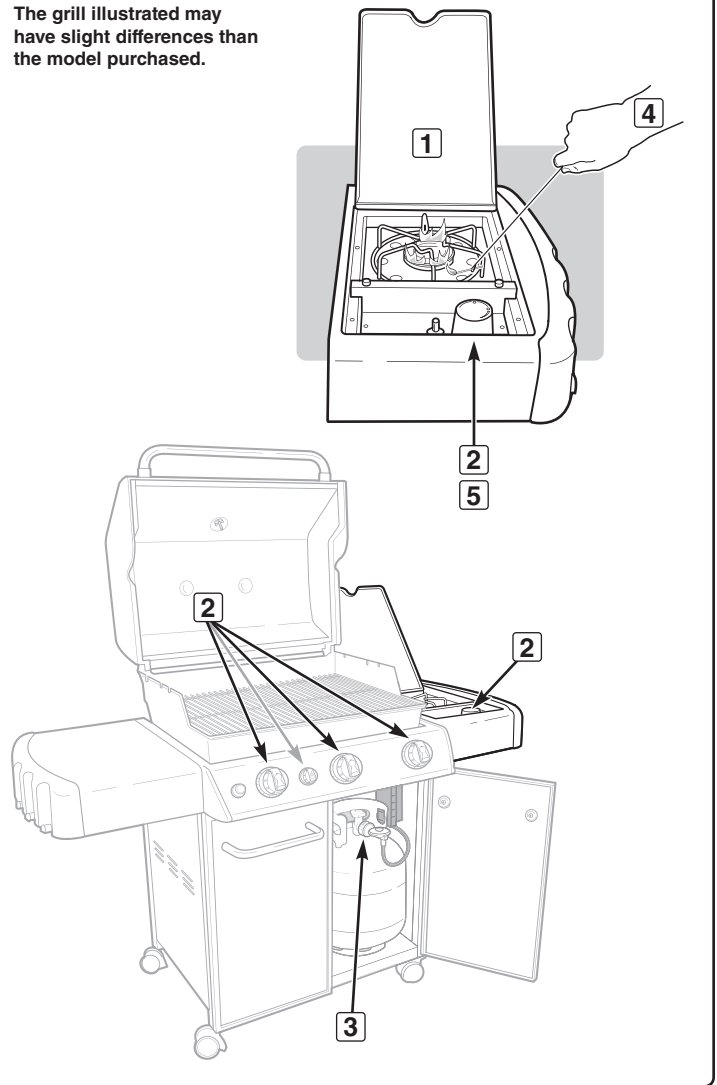
⚠ **CAUTION:** Side burner flame may be difficult to see on a bright sunny day.

- ⚠ **WARNING:** If the side burner does not light in five seconds:
- a) Turn off the side burner control valve, main burners and gas supply at source.
 - b) Wait five minutes to let the gas clear before you try again. ♦

TO EXTINGUISH

Push down and turn side burner control knob to the OFF position. Be sure the burner is off and cool before closing the side burner lid. ♦

The grill illustrated may have slight differences than the model purchased.



TROUBLESHOOTING

PROBLEM	CHECK	SOLUTION
Burners burn with a yellow or orange flame, in conjunction with the smell of gas.	Inspect Spider/Insect screens for possible obstructions. (Blockage of holes.)	Clean Spider/Insect screens. Refer to "ANNUAL MAINTENANCE".
Symptoms: Burners do not ignite. -or- Burners have a small flickering flame in the HI position. -or- Barbecue temperature only reaches 250° to 300° in the HI position.	The excess flow safety device, which is part of the barbecue to cylinder connection, may have activated.	To reset the excess flow safety device turn all burner control knobs and the cylinder valve off. Disconnect the regulator from the cylinder. Turn burner control knobs to HI. Wait at least 1 minute. Turn burner control knobs to OFF. Reconnect the regulator to the cylinder. Turn cylinder valve on slowly. Refer to "MAIN BURNER IGNITION".
Burner does not light, or flame is low in HI position.	Is LP fuel low or empty?	Refill LP cylinder.
	Is fuel hose bent or kinked?	Straighten fuel hose.
Burner does not ignite when you push the igniter button.	Be sure that there is gas flow to the burners by attempting to match light your burners. Refer to "MAIN BURNER MANUAL IGNITION".	If match lighting is successful, the problem lies in the ignition system. Refer to "ELECTRONIC IGNITION SYSTEM OPERATIONS".
	Is there a fresh battery installed?	Verify that the battery is in good condition and installed correctly. Refer to "ELECTRONIC IGNITER INSPECTION".
	Are the wires connected properly to the ignitor module?	Be sure that wires are correctly inserted into terminals on ignition box. Refer to "ELECTRONIC IGNITION SYSTEM OPERATIONS".
	Is there plastic wrapping around the new battery?	Remove plastic wrapping.
Experiencing flare-ups: ⚠ CAUTION: Do not line the slide out grease tray with aluminum foil.	Are you preheating barbecue in the prescribed manner?	All burners on HI for 10 to 15 minutes for preheating.
	Are the cooking grates, heat deflectors, and Flavorizer® bars heavily coated with burned-on grease?	Clean thoroughly. Refer to "CLEANING".
	Is the slide out grease tray dirty and not allowing grease to flow into catch pan?	Clean slide out grease tray.
Burner flame pattern is erratic. Flame is low when burner is on HI. Flames do not run the whole length of the burner tube.	Are burners clean?	Clean burners. Refer to "MAINTENANCE".
Inside of lid appears to be "peeling." (Resembles paint peeling.)	The inside of the lid is porcelain enamel or stainless steel, and is not painted. It cannot "peel". What you are seeing is baked on grease that has turned to carbon and is flaking off. THIS IS NOT A DEFECT.	Clean thoroughly. Refer to "CLEANING".
Cabinet doors are not aligned.	Check the adjustment pin on the bottom of each door.	Loosen adjustment nut/s. Slide door/s until aligned. Tighten nut.
If problems cannot be corrected by using these methods, please contact the Customer Service Representative in your area using the contact information on our web site. Log onto www.weber.com ®.		

SIDE BURNER TROUBLESHOOTING

PROBLEM	CHECK	SOLUTION
Side Burner does not light.	Is gas supply off? The excess flow safety device, which is part of the barbecue to cylinder connection, may have activated.	Turn supply on. To reset the excess flow safety device turn all burner control knobs and the cylinder valve off. Disconnect the regulator from the cylinder. Turn burner control knobs to START/HI. Wait at least one minute. Turn burner control knobs to OFF. Reconnect the regulator to the cylinder. Turn cylinder valve on slowly. Refer to "SIDE BURNER IGNITION".
Flame is low in HI position.	Is the fuel hose bent or kinked?	Straighten hose.
Push button ignition does not work.	Does burner light with a match?	If match lights burner, check igniter. Refer to "SIDE BURNER MAINTENANCE".
If problems cannot be corrected by using these methods, please contact the Customer Service Representative in your area using the contact information on our web site. Log onto www.weber.com ®.		

MAINTENANCE

CLEANING

⚠ **WARNING:** Turn your Weber® gas barbecue off and wait for it to cool before cleaning.

⚠ **CAUTION:** Do not clean your Flavorizer® bars or cooking grates in a self-cleaning oven.

Outside surfaces - Use a warm soapy water solution to clean, then rinse with water.

⚠ **CAUTION:** Do not use oven cleaner, abrasive cleansers (kitchen cleansers), cleaners that contain citrus products, or abrasive cleaning pads on barbecue or cart surfaces.

Slide out grease tray - Remove excess grease, wash with warm soapy water, then rinse.

⚠ **CAUTION:** Do not line the slide out grease tray with aluminum foil.

Flavorizer® bars and cooking grates - Clean with a suitable stainless steel bristle brush. As needed, remove from grill and wash with warm soapy water, then rinse with water.

For availability of replacement cooking grates and Flavorizer® bars contact the Customer Service Representative in your area using the contact information on our website. Log onto www.weber.com®.

Catch pan - Disposable foil trays are available, or you can line the catch pan with aluminum foil. To clean the catch pan, wash with warm soapy water, then rinse.

Thermometer - Wipe with warm soapy water; clean with plastic scrub ball.

Cookbox - Brush any debris off of burner tubes. DO NOT ENLARGE BURNER PORTS (OPENINGS). Wash inside of cookbox with warm soapy water and a water rinse.

Inside lid - While lid is warm, wipe inside with paper towel to prevent lid grease build-up. Flaking built-up grease resembles paint flakes.

Stainless steel surfaces - Wash with a soft cloth and a soap and water solution. Be careful to scrub with the grain direction of the stainless steel.

Do not use cleaners that contain acid, mineral spirits or xylene. Rinse well after cleaning.

Preserve your stainless steel - Your grill or its cabinet, lid, and control panel may be made from stainless steel. To keep the stainless steel looking its best is a simple matter. Clean it with soap and water, rinse with clear water and wipe dry. For stubborn particles, the use of a non-metallic brush can be used.

⚠ **IMPORTANT:** Do not use a wire brush or abrasive cleaners on the stainless steel surfaces of your grill as this will cause scratches.

⚠ **IMPORTANT:** When cleaning surfaces be sure to rub/wipe in the direction of the grain to preserve the look of your stainless steel. ♦

WEBER® SPIDER/INSECT SCREENS

Your Weber® gas barbecue, as well as any outdoor gas appliance, is a target for spiders and other insects. They can nest in the venturi section (1) of the burner tubes. This blocks the normal gas flow, and can cause the gas to flow back out of the combustion air opening. This could result in a fire in and around the combustion air openings, under the control panel, causing serious damage to your barbecue.

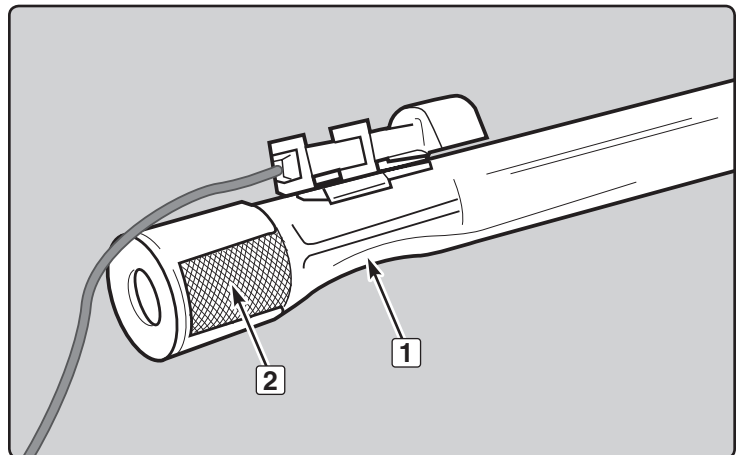
The burner tube combustion air opening is fitted with a stainless steel screen (2) to prevent spiders and other insects access to the burner tubes through the combustion air openings.

We recommend that you inspect the Spider/Insect screens at least once a year. (Refer to "ANNUAL MAINTENANCE") Also inspect and clean the the Spider/Insect screens if any of the following symptoms should ever occur:

- A) The smell of gas in conjunction with the burner flames appearing yellow and lazy.
- B) Barbecue does not reach temperature.
- C) Barbecue heats unevenly.
- D) One or more of the burners do not ignite.

⚠ DANGER

Failure to correct the above mentioned symptoms may result in a fire, which can cause serious bodily injury or death, and cause damage to property. ♦



MAINTENANCE

BURNER TUBES CLEANING OR REPLACEMENT

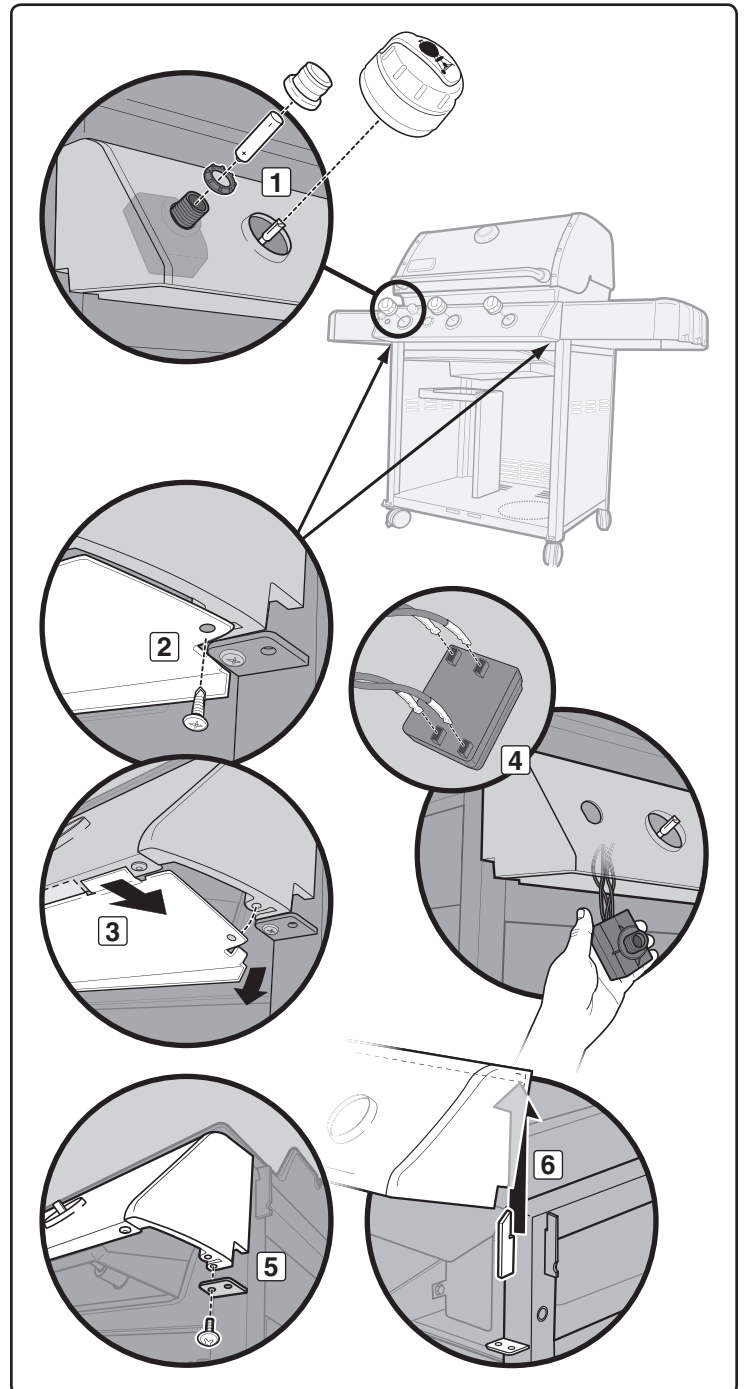
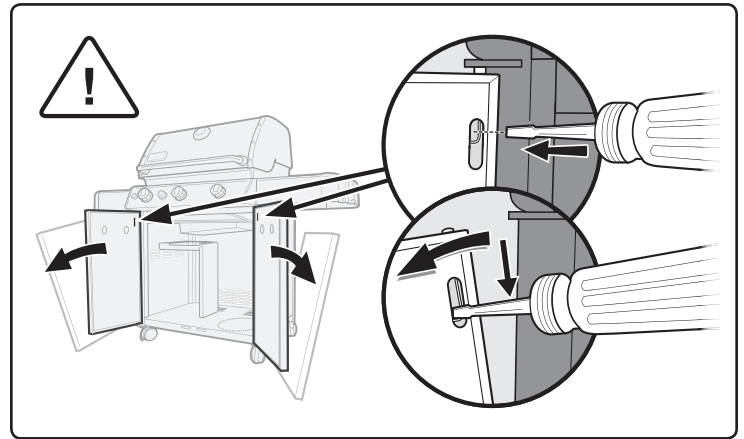
You will need: Phillips screwdriver and flathead screwdriver.

- A) Your Weber® gas barbecue must be OFF and cool.
- B) Turn gas OFF at source.
- C) Remove cookbox components - warming rack, grates and Flavorizer® bars. (Heat deflectors do not need to be removed.)

Control Panel Removal

To remove control panel:

- A) Remove control knobs, igniter button, igniter retention nut, and battery (1).
- B) Remove screws from wind deflector (2) located underneath the control panel with a Phillips screwdriver.
- C) Tilt end of wind deflector down and slide away to remove (3).
- D) Remove igniter module from control panel (4) and remove all four wires from module.
- E) Remove screws from underside of control panel with Phillips screwdriver (5).
- F) Lift control panel up slightly, tilt up front edge and gently lift up and away (6).



Burner Tube Removal

To remove burner tube(s):

- Remove igniter wire(s) from igniter clip(s) (7).
- Remove screw that holds burner tube to the cookbox using a flathead screwdriver (8).
- Pull burner tube assembly (this includes igniter) up and out of cookbox (9).
Note: 310/320 units will have an additional grounding wire attached to the center burner tube (10).

Burner Tube Cleaning

To clean the burner tube(s):

- Look inside each burner with a flashlight (11).
- Clean the inside of the burners with a wire (12) (a straightened-out coat hanger will work).
- Check and clean the air shutter opening at the ends of the burners. Check and clean the valve orifices at the base of the valves. Use a steel bristle brush to clean outside of burners (13). This is to make sure all the burner ports are fully open.

⚠ CAUTION: Do not enlarge the burner ports when cleaning.

Burner Tube Reinstallation

To reinstall burner tubes:

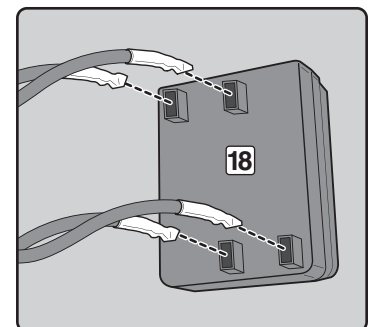
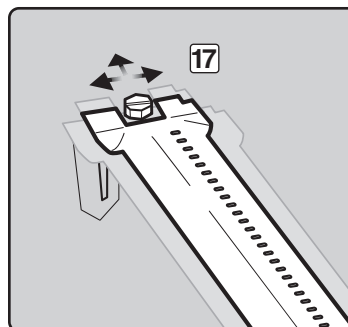
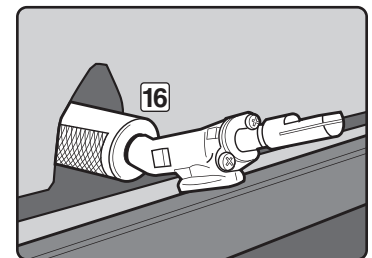
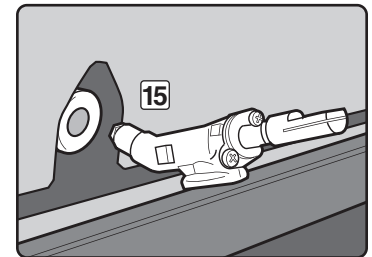
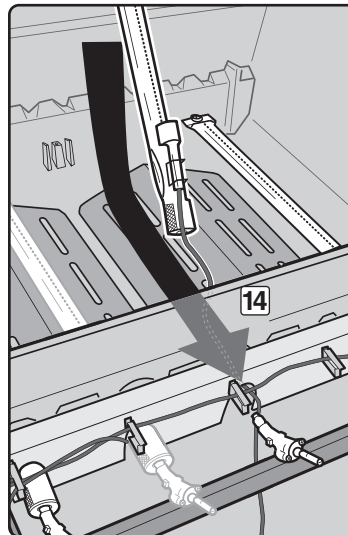
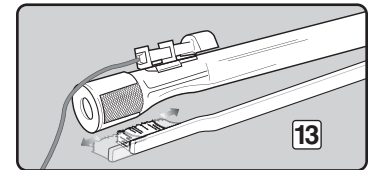
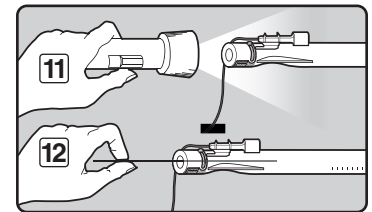
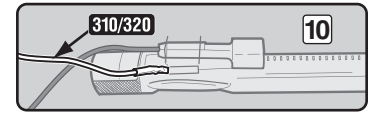
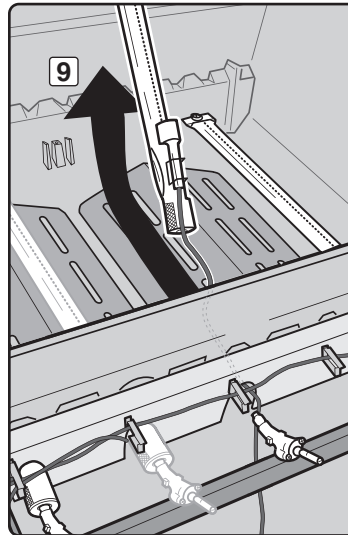
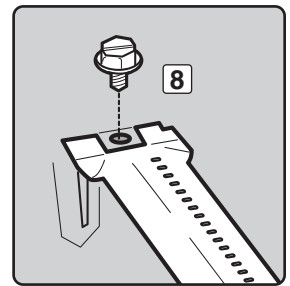
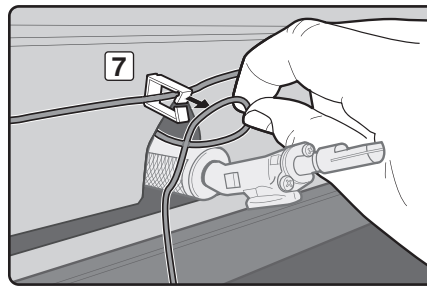
- Slide burner tube and igniter wire through hole in cookbox (14). Refer to "ELECTRONIC IGNITION SYSTEM OPERATIONS" for proper burner position.
- Align burner tube with valve.
- ⚠ CAUTION: The burner openings (15) must be positioned properly over the valve orifices (16).**
- Re-install screw that holds the burner tube to the cookbox using a flathead screwdriver. Burner tube may seem loose (17), when screw is snug. This is normal.
- Route wires back through igniter clips. Refer back to figure (7).

⚠ CAUTION: All wires must be properly routed through wire clips.

- Attach wires to module, following the numerical/color coding (18). Refer to "ELECTRONIC IGNITION SYSTEM OPERATIONS" for proper attachment of wires.

⚠ WARNING: After reinstalling the gas lines, they should be leak checked with a soap and water solution before using the barbecue. (Refer to "CHECK FOR GAS LEAKS".)

⚠ WARNING: Make sure that all parts are assembled and hardware is fully tightened before operating the grill. Your actions, if you fail to follow this Product Warning, may cause a fire, an explosion, or structural failure resulting in serious personal injury or death as well as damage to property. ♦



MAINTENANCE

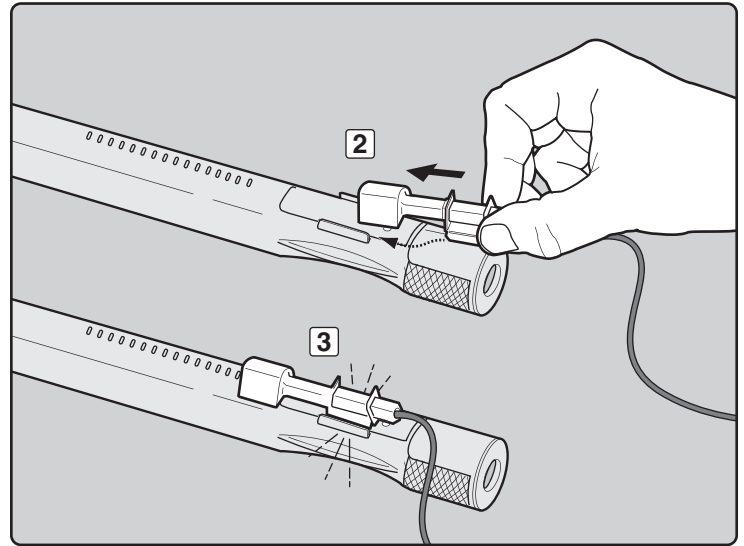
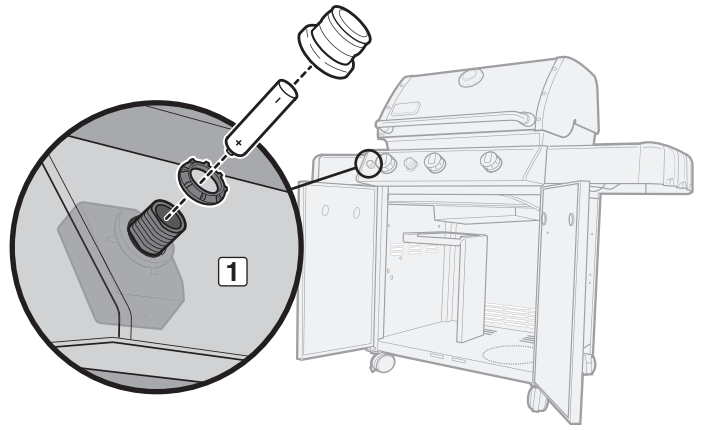
ELECTRONIC IGNITION SYSTEM OPERATIONS

If the Electronic Ignition System fails to ignite, be sure there is gas flow by attempting to match light your burners. Refer to "MAIN BURNER MANUAL IGNITION". If match lighting is successful, the problem lies in the electronic ignition.

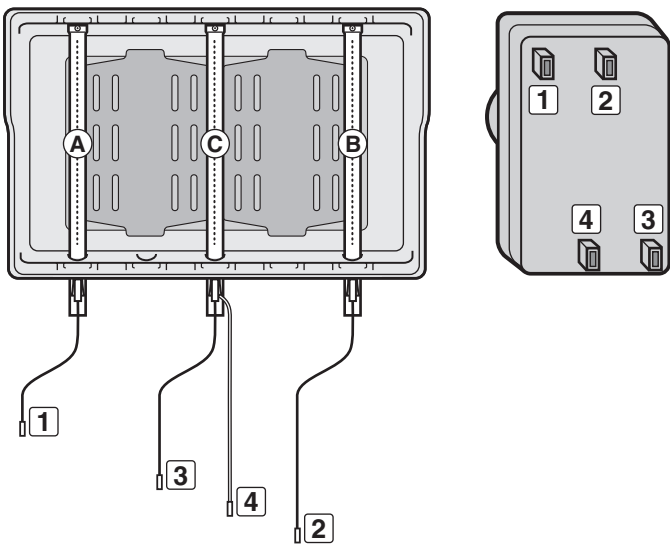
⚠ WARNING: All gas controls and supply valves should be in the OFF position.

- Verify that the AA battery (alkaline only) is in good condition and installed correctly (1). Some batteries have a plastic protective wrap around them. This plastic must be removed. Do not confuse this plastic with the battery label.
- Make sure the ignition wires are attached to igniter module properly. Refer to the "IGNITER MODULE WIRE GUIDE" below.
- Make sure the ceramic igniter assembly is fully positioned into burner tube igniter channel (2). If properly positioned, you will hear a snap (3).
- Make sure the Electronic Ignition button is working by listening and looking for sparks at burner.

If the Electronic Ignition System still fails to light, contact the Customer Service Representative in your area using the contact information on our web site. Log onto www.weber.com®. ♦



IGNITER MODULE WIRE GUIDE 310/320



Wire End & Terminal Color

Burner Tube

Black (1)

Left Burner (A)

Yellow (2)

Right Burner (B)

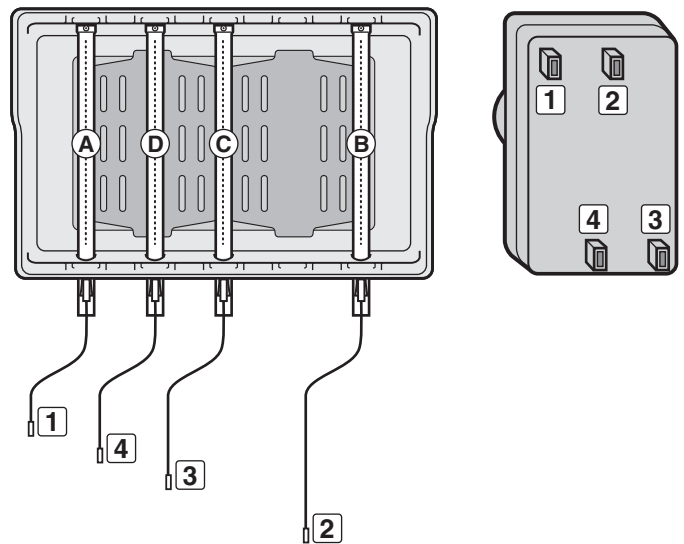
Blue (3)

Center Burner (C)

Green (Ground) (4)

Center Burner (C)

IGNITER MODULE WIRE GUIDE 330



Wire End & Terminal Color

Burner Tube

Black (1)

Left Burner (A)

Yellow (2)

Right Burner (B)

Blue (3)

Center Burner (C)

Green (4)

Sear Burner (D)

MAINTENANCE

SIDE BURNER MAINTENANCE

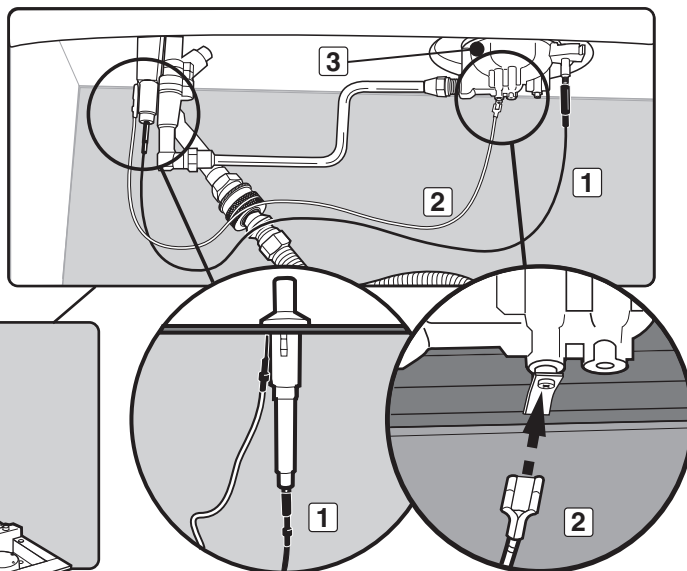
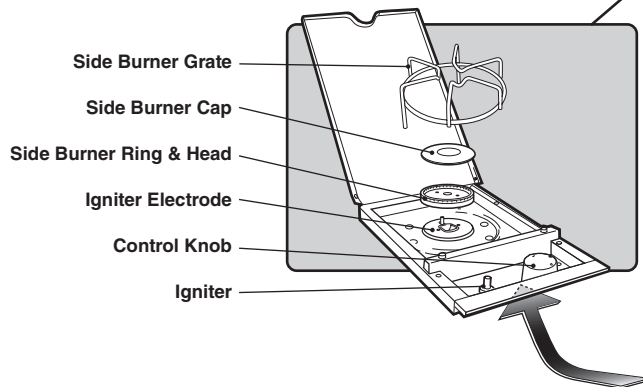
⚠ WARNING: All gas controls and supply valves should be in the OFF position.

Make sure black wire is connected between the igniter and electrode.

Make sure white wire is connected between the igniter and grounding clip.

Spark should be a white/blue color, not yellow.

- A) Igniter wire (1)
- B) Ground wire (2)
- C) Burner (3) ♦



ANNUAL MAINTENANCE

Inspection And Cleaning Of The Spider/Insect Screens

To inspect the Spider/Insect screens, remove the control panel. If there is dust or dirt on the screens, remove the burners for cleaning the screens.

Brush the Spider/Insect screens lightly with a soft bristle brush (i.e. an old toothbrush).

⚠ CAUTION: Do not clean the Spider/Insect screens with hard or sharp tools. Do not dislodge the Spider/Insect screens or enlarge the screen openings.

Lightly tap the burner to get debris and dirt out of the burner tube. Once the Spider/Insect screens and burners are clean, replace the burners.

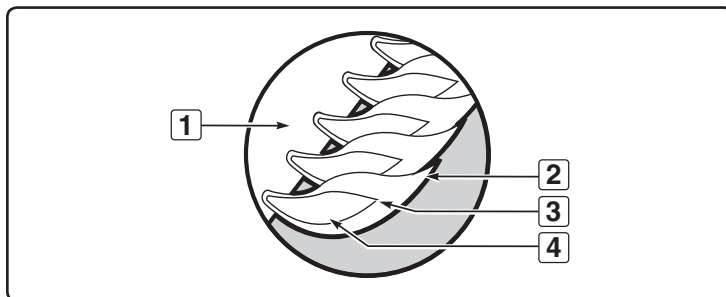
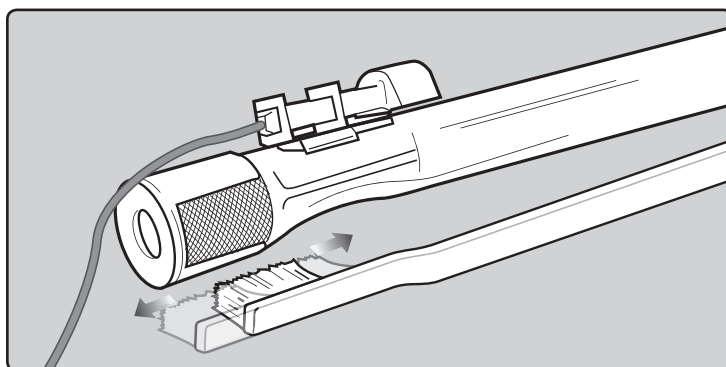
If the Spider/Insect screen becomes damaged or cannot be cleaned, please contact the Customer Service Representative in your area using the contact information on our web site. Log onto www.weber.com.

Burner Flame Pattern

The Weber® gas barbecue burners have been factory set for the correct air and gas mixture. The correct flame pattern is shown.

- A) Burner tube (1)
- B) Tips occasionally flicker yellow (2)
- C) Light blue (3)
- D) Dark blue (4)

If the flames do not appear to be uniform throughout the burner tube, follow the burner cleaning procedures. ♦



⚠ ATTENTION: This product has been safety tested and is only certified for use in a specific country. Refer to country designation located on outer carton.

These parts may be gas carrying or gas burning components. Please contact Weber-Stephen Products Co., Customer Service Department for genuine Weber-Stephen Products Co. replacement part(s) information.

⚠ WARNING: Do not attempt to make any repair to gas carrying, gas burning, igniter components or structural components without contacting Weber-Stephen Products Co., Customer Service Department. Your actions, if you fail to follow this Product Warning, may cause a fire, an explosion, or structural failure resulting in serious personal injury or death as well as damage to property.



WEBER-STEPHEN PRODUCTS CO.

www.weber.com[®]