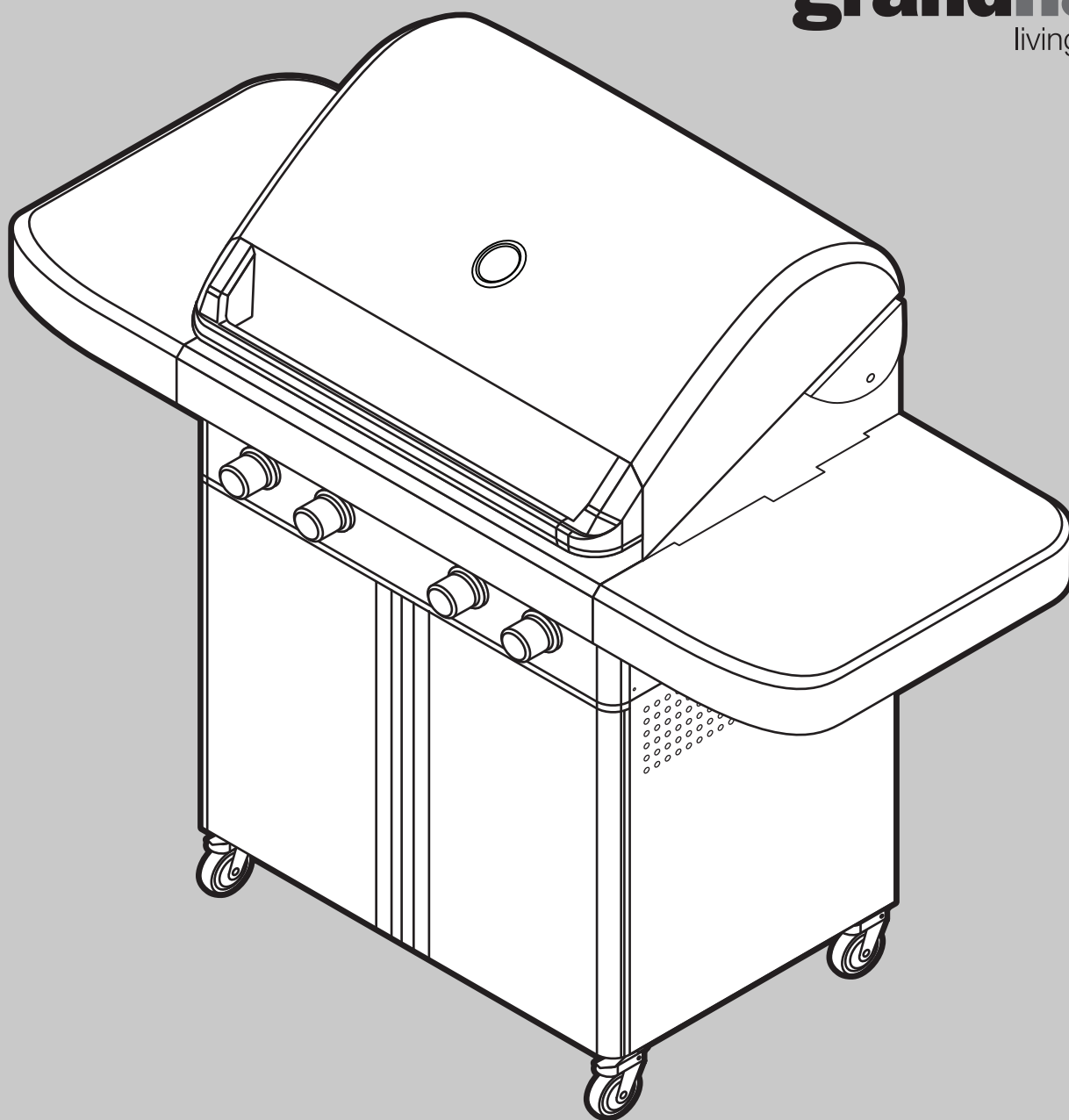


grandhall
living style



IE GB Assembly instructions

CH FR Instructions d'assemblage

AT CH DE Montageanweisungen

CH IT Istruzioni per il montaggio

LU BE NL Montage-instructies

SE Montering

FI Kokoamisohjeet

ES Instrucciones de armado

PT Instruções para Montagem

DK Monteringsvejledning

NO Montering

PL Instrukcje

CE 0087

ASSEMBLY

CAUTION: While possible for one person to assemble this barbecue, it is recommended obtaining assistance from a second person when handling some of the larger heavier pieces.

① Install castor seats.



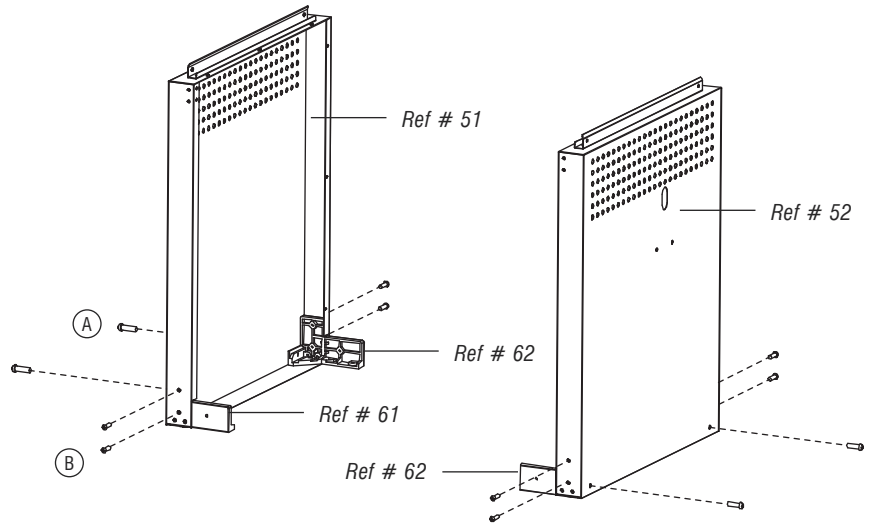
(A) Black

Pan-head screw 1/4" x 3/8"
Qty. 4



(B) Black

Pan-head screw 3/16" x 3/8"
Qty. 8



② Install trolley side panels and door guide to trolley bottom panel.



(A) Black

Pan-head screw 3/16" x 3/8"
Qty. 8



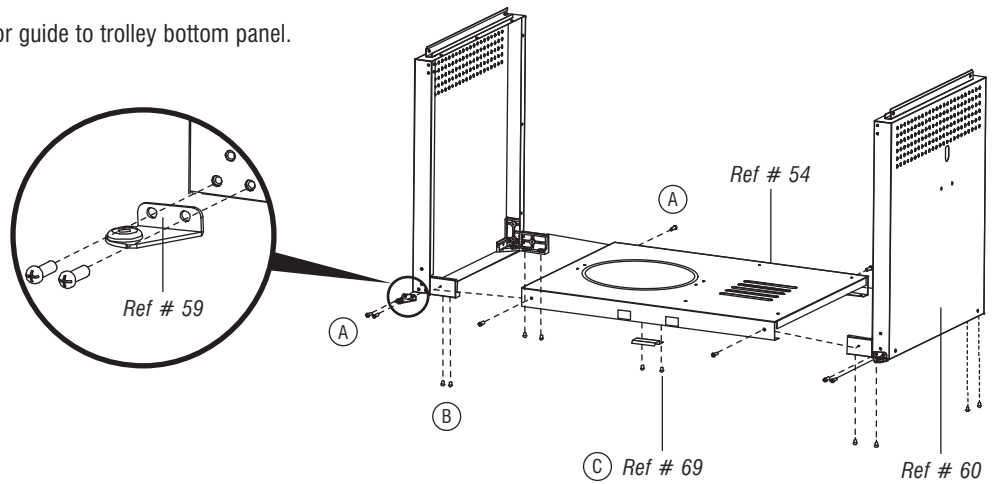
(B) Black

Pan-head screw 1/4" x 3/8"
Qty. 8



(C) Stainless steel

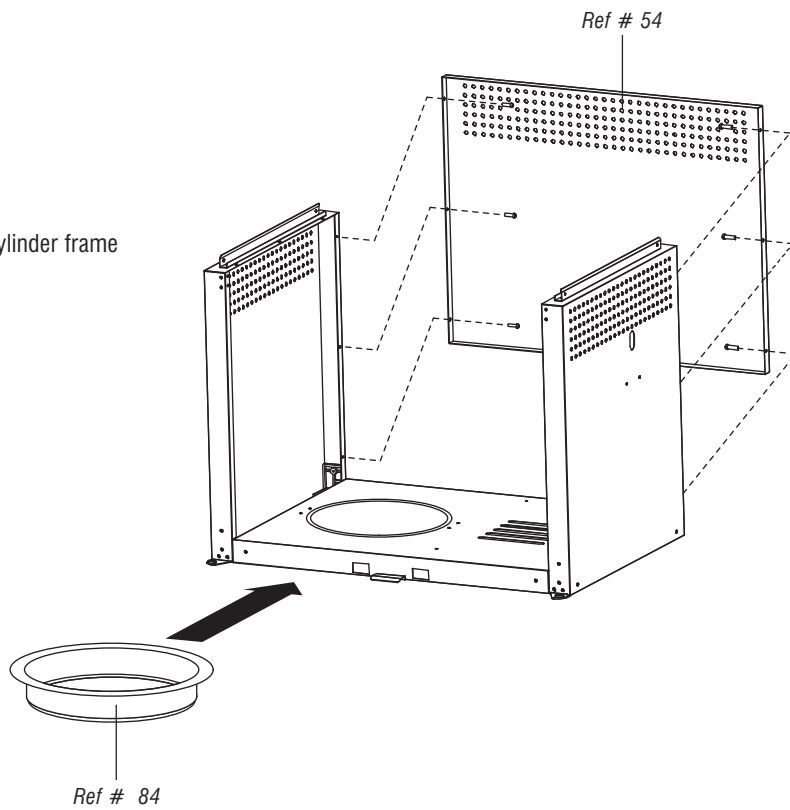
Pan-head screw 3/16" x 3/8"
Qty. 2



③ Install trolley rear panel and gas cylinder frame



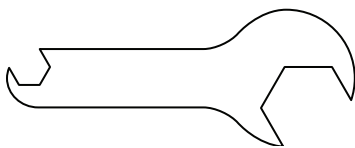
Pan-head screw $\frac{3}{16}$ " x $\frac{3}{8}$ "
Qty. 6



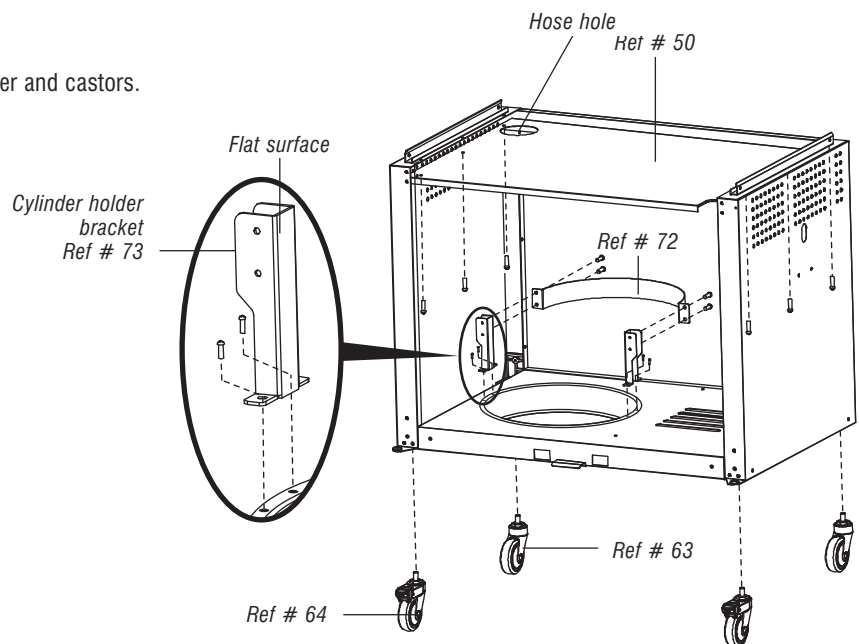
④ Install trolley top panel, gas cylinder holder and castors.



Pan-head screw $\frac{3}{16}$ " x $\frac{3}{8}$ "
Qty. 14



Wrench
Qty. 1

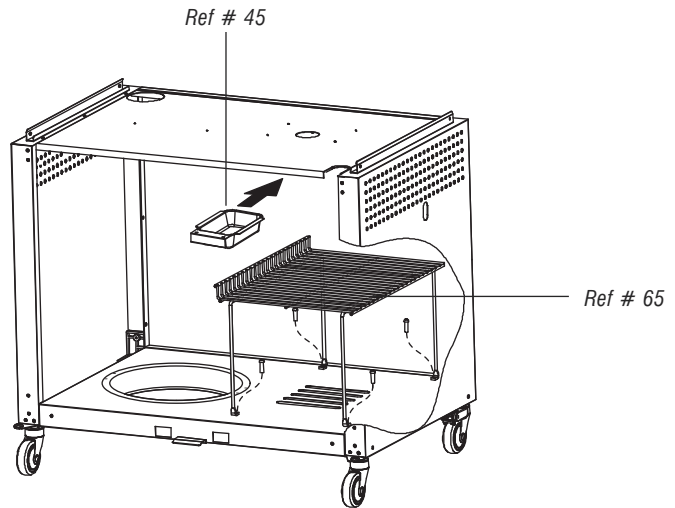


⑤ Install trolley shelf and grease receptacle.



Stainless steel

Pan-head screw $\frac{3}{16}$ " x $\frac{1}{2}$ "
Qty. 4



⑥ Install grill bowl, control box and trolley front bracket.



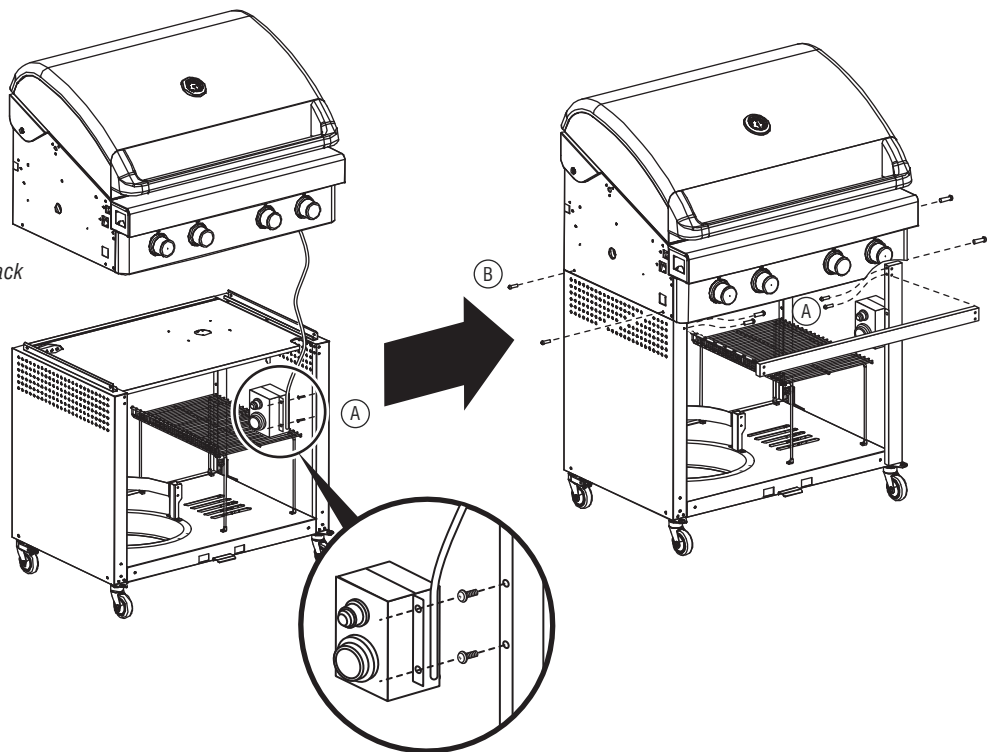
Ⓐ Black

Pan-head screw $\frac{3}{16}$ " x $\frac{3}{8}$ "
Qty. 6



Ⓑ Black

Pan-head screw $\frac{3}{16}$ " x 1"
Qty. 4

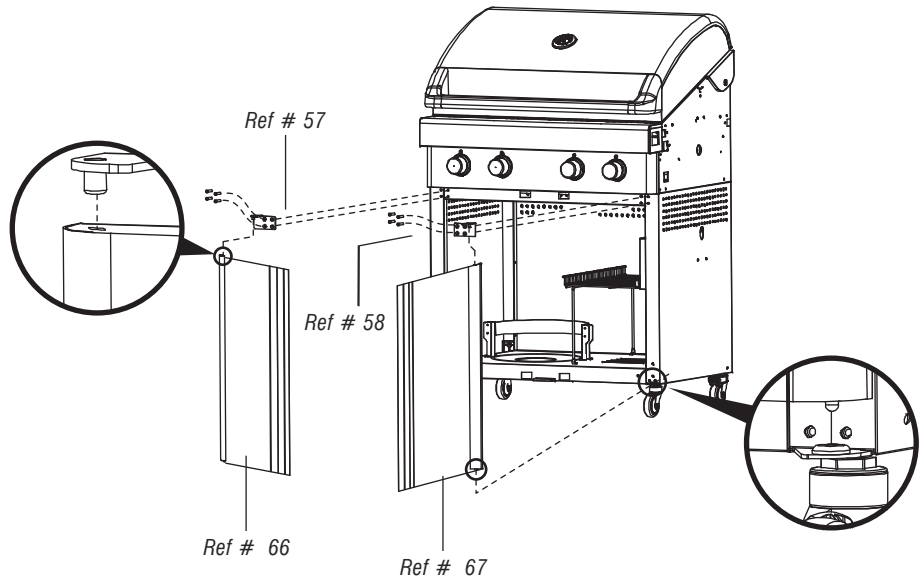


⑦ Install doors and door upper brackets.



Black

Pan-head screw $\frac{3}{16}$ " x $\frac{3}{8}$ "
Qty. 8

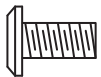


⑧ Install side shelves.



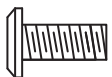
Ⓐ Black

Pan-head screw $\frac{3}{16}$ " x 1"
Qty. 8



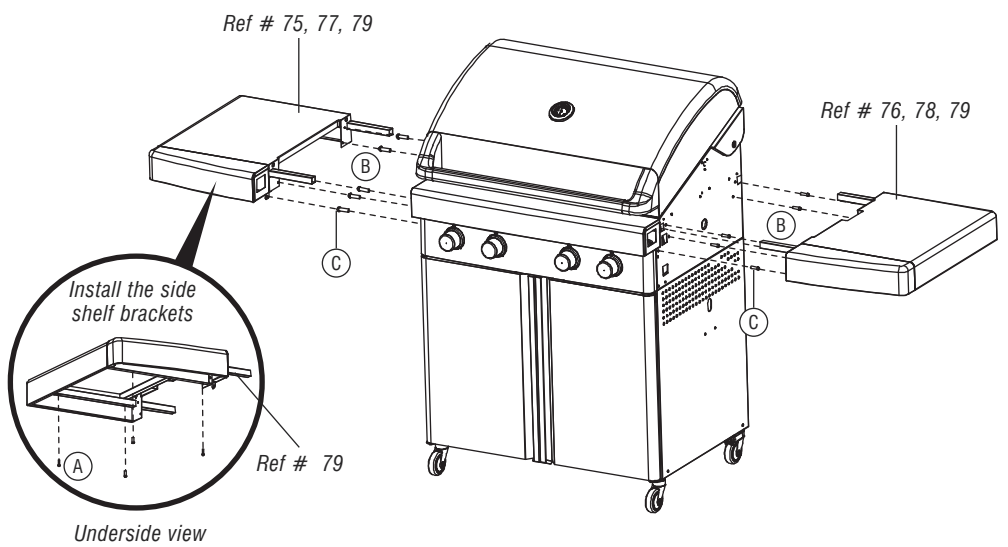
Ⓑ Black

Pan-head screw $\frac{3}{16}$ " x $\frac{3}{8}$ "
Qty. 8

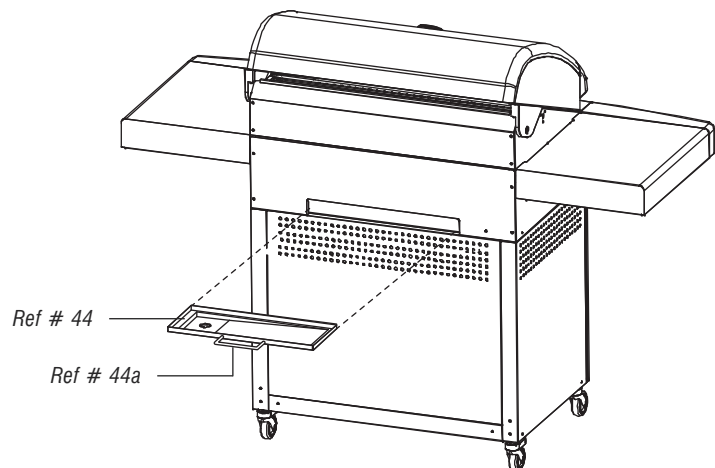


Ⓒ Stainless steel

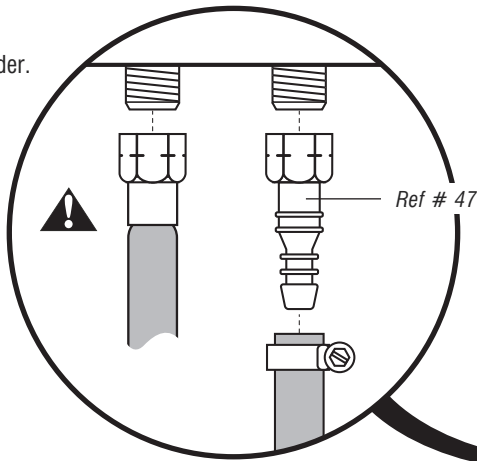
Pan-head screw $\frac{3}{16}$ " x $\frac{1}{2}$ "
Qty. 2



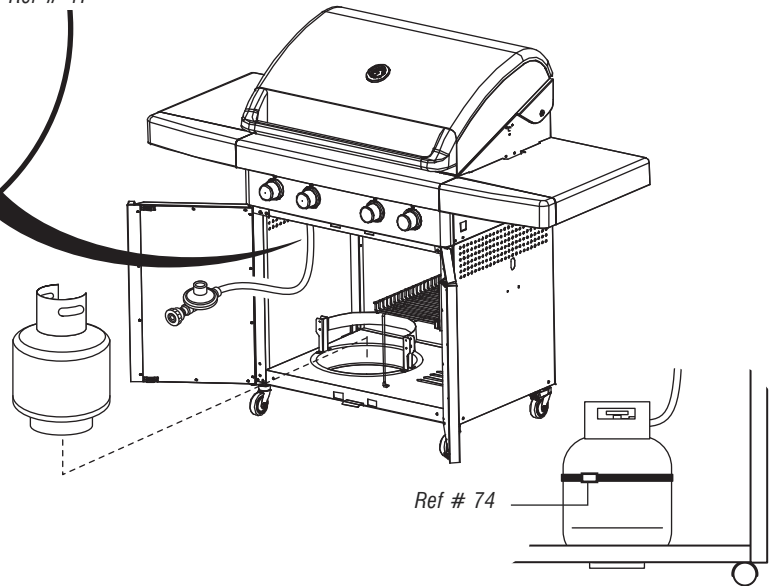
⑨ Install grease tray and grease tray heat shield.



⑩ Install gas cylinder.



LEAK CHECK GAS CONNECTIONS



WARNINGS INFORMATION

(GB) DO NOT OBSTRUCT THE VENTILATION OPENINGS IN THE TROLLEY.

(FR) NE PAS BOUCHER LES OUVERTURES DE VENTILATION DANS LE CHARIOT.

(DE) NICHT DIE VENTILATIONSÖFFNUNGEN IM WAGEN BLOCKIEREN.

(IT) NON OSTUIRE LE APERTURE DI VENTILAZIONE DEL CARRELLO.

(NL) DE VENTILATIEOPENINGEN IN DE TROLLEY NIET BLOKKEREN.

(SE) BLOCKERA EJ VENTILATIONSHÅLEN I GRILLBAREN.

(FI) KÄRRYN TUULETUSAUKKOJA EI SAA PEITTÄÄ.

(ES) NO OBSTRUYA LAS ABERTURAS DE VENTILACIÓN DEL CARRITO.

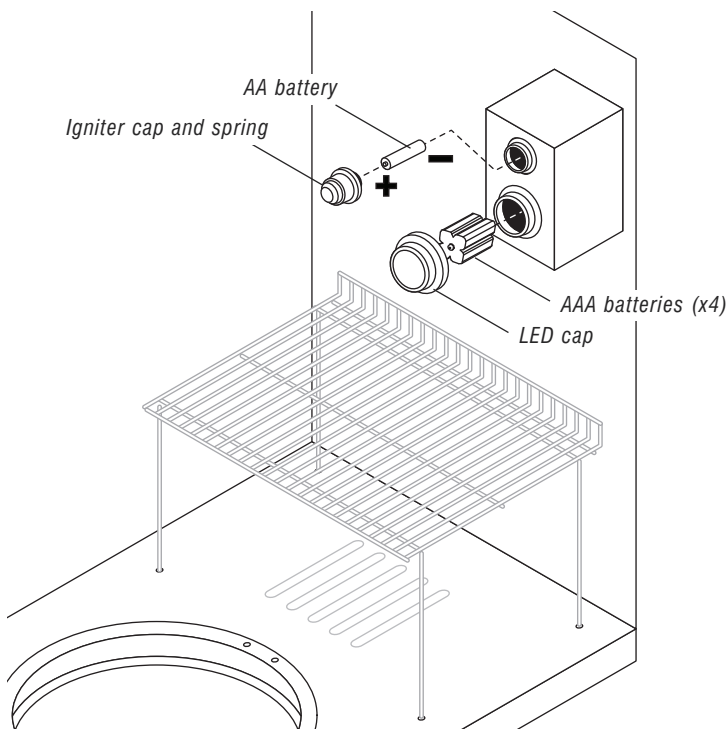
(PT) NÃO OBSTRUA AS ABERTURAS DE VENTILAÇÃO NO TROLEI.

(DK) VENTILATIONSÅBNINGEN I TROLLEYEN MÅ IKKE SPÆRRES.

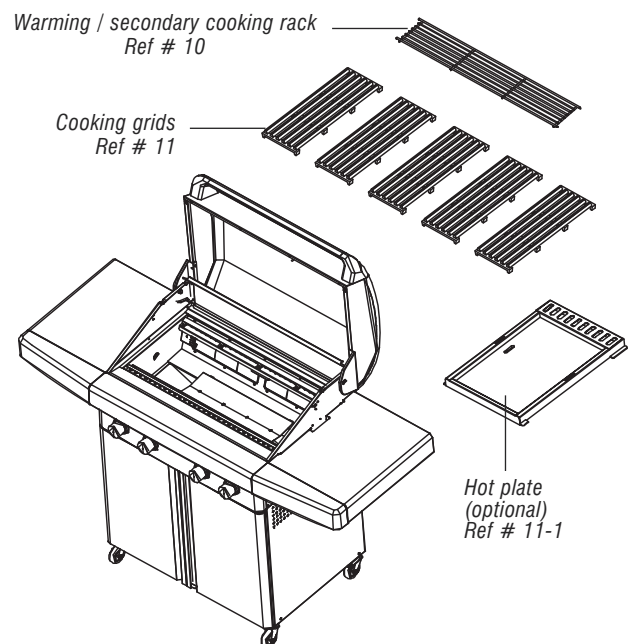
(NO) VENTILASJONSÅPNINGENE PÅ TRALLEN MÅ IKKE TILDEKKES.

(PL) NIE BLOKOWAĆ OTWORÓW WENTYLACYJNYCH NA WÓZKU

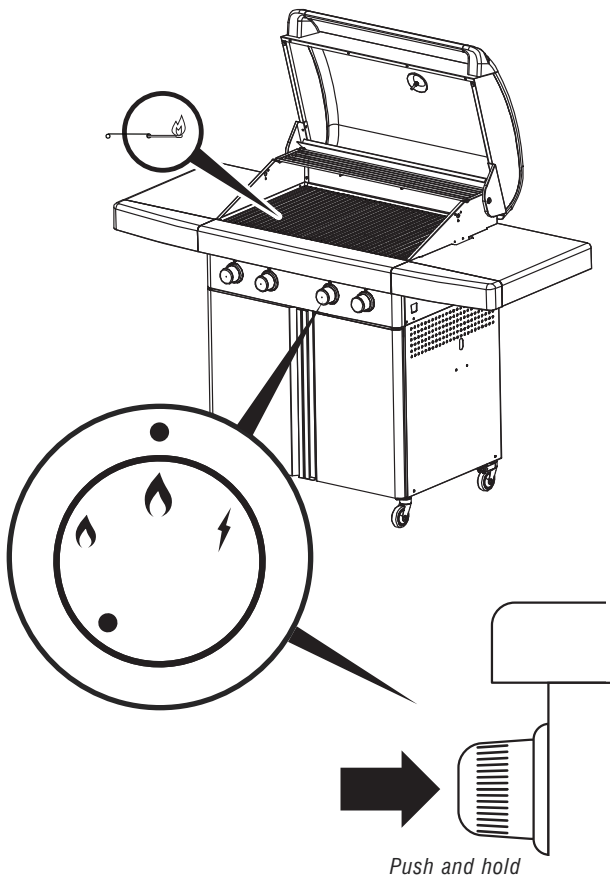
IGNITION AND LED BATTERY



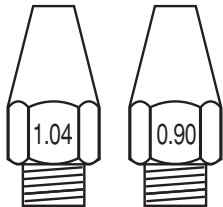
COOKING COMPONENT INSTALLATION



LIGHT BARBECUE WITH MATCH



INJECTOR



1.04 mm – I 3+ (28-30/37)
– I 3B/P (30)
0.90 mm – I 3B/P (50)

INPUT

18.4 kW – 1335 grams / h

WWW

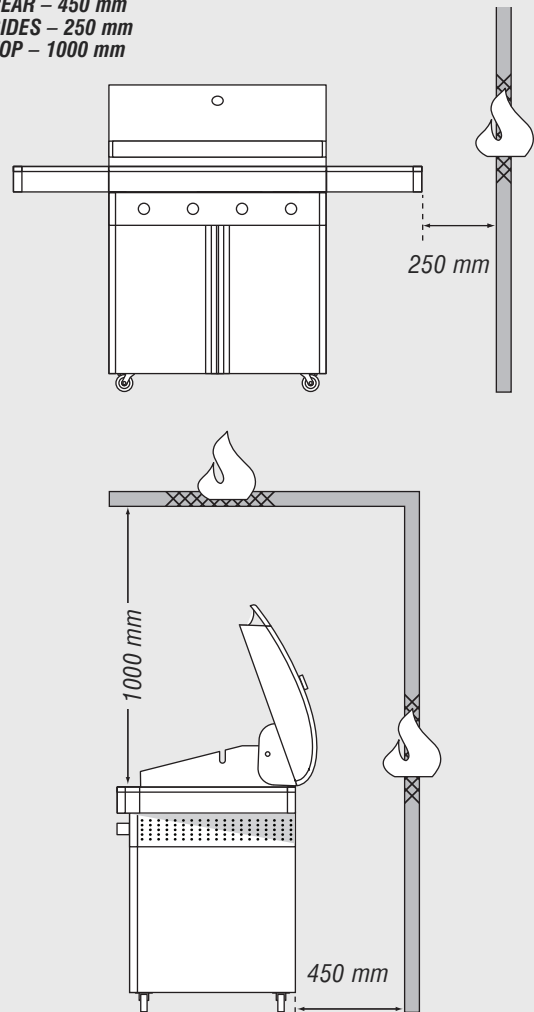
NOTE:

Register your Outdoor Kitchen at www.grandhall.eu
For Tips and Tricks, visit www.grandhall.eu/tips

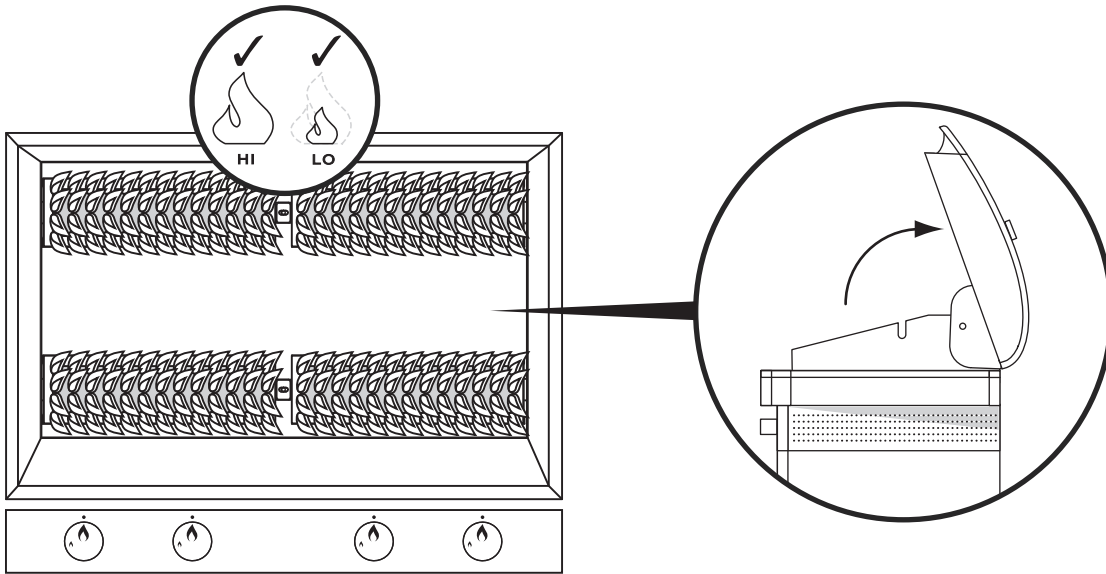


WARNINGS INFORMATION

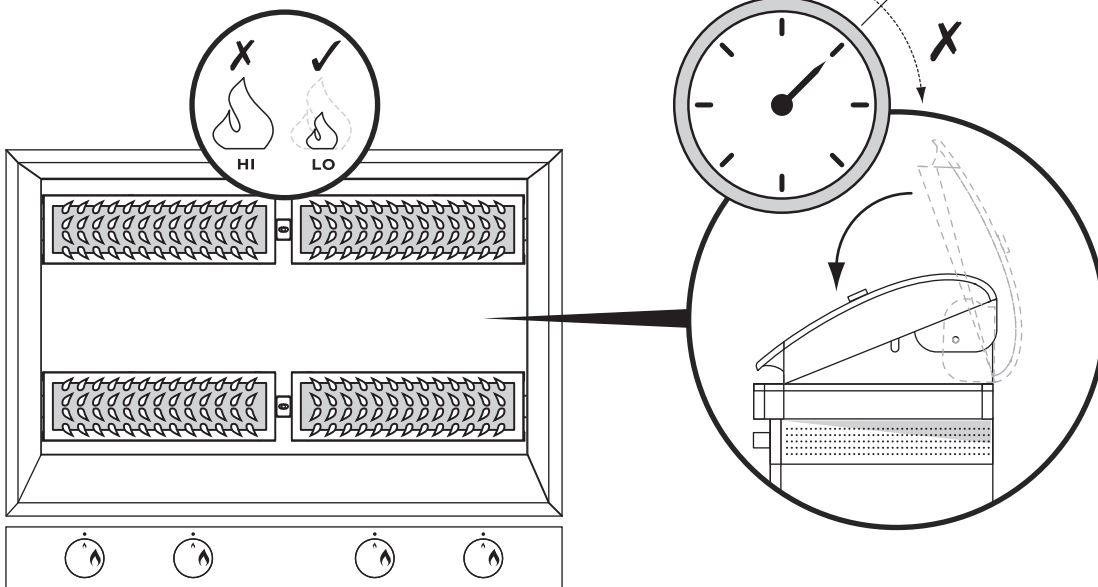
- **MINIMUM CLEARANCES FROM COMBUSTIBLE MATERIALS MUST BE:**
REAR – 450 mm
SIDES – 250 mm
TOP – 1000 mm



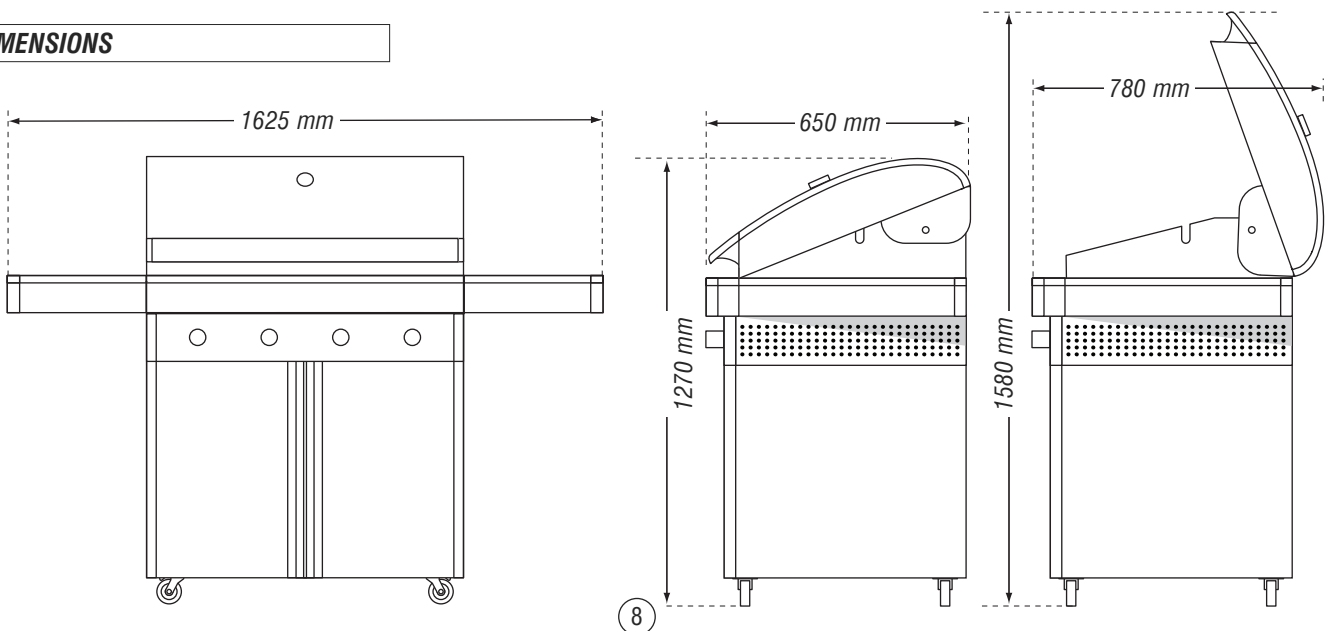
COOKING WITH HOOD OPEN



COOKING WITH HOOD DOWN



DIMENSIONS



NOTES

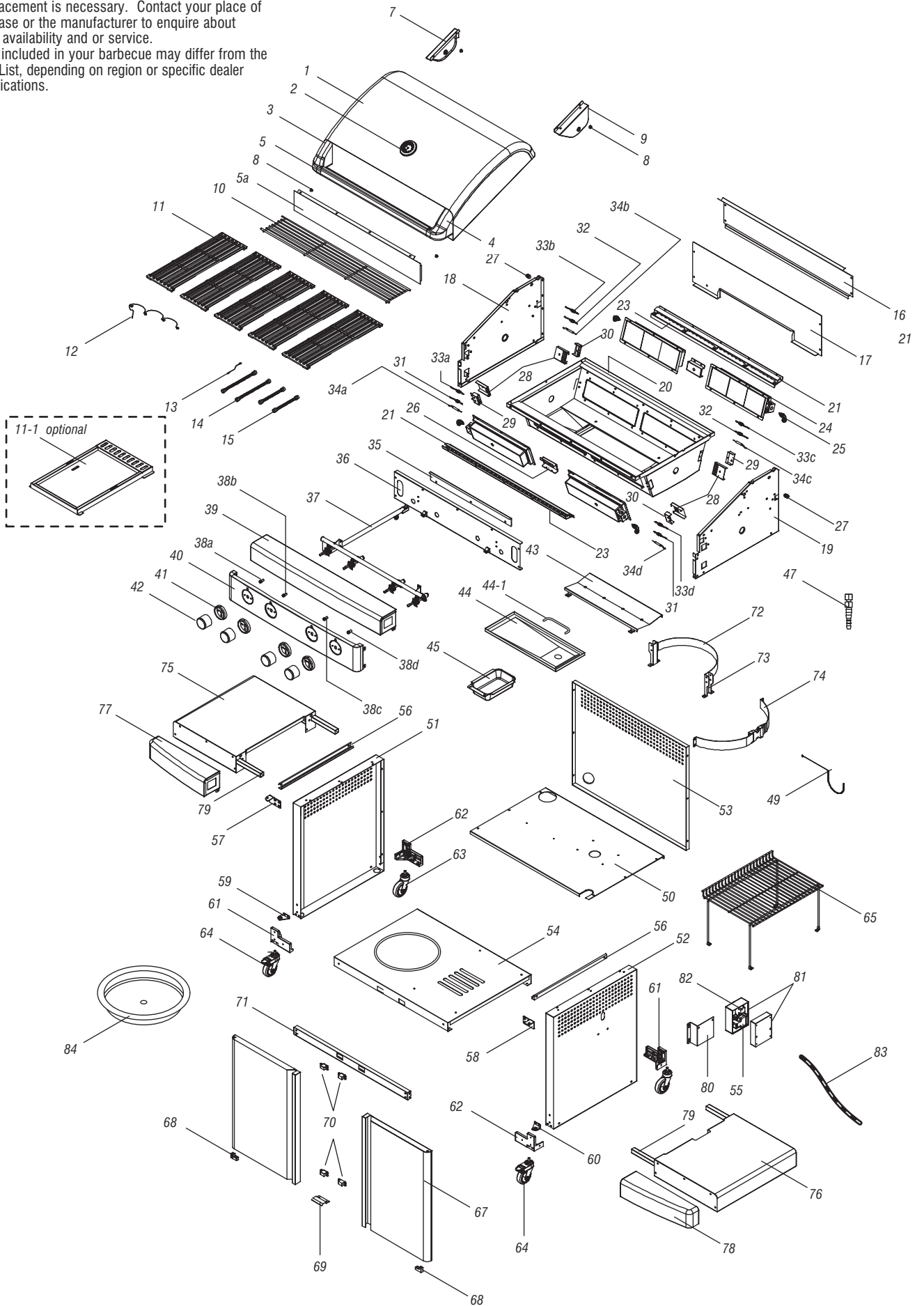
PARTS LIST

Ref	Description	Part #	Qty
1	Hood – white – black	P00147319Z P00147319B	1 1
2	Temperature gauge	P00601381B	1
3	Hood handle bracket – left	P00307028E	1
4	Hood handle bracket – right	P00308028E	1
5	Hood handle	P00215036H	1
5a	Hood handle heat shield	P06917003A	1
7	Hood assembly bracket – left	P03320007H	1
8	Protective pad – front / rear	P05518002I	4
9	Hood assembly bracket – right	P03320008H	1
10	Warming / secondary cooking rack	P015160282	1
11	Cooking grids	P01615038H	5
11-1	Hot plate (optional)	P05705004B	1
12	Electrode wire – 4 contact	P02627007A	1
13	Earth wire	P02628001H	1
14	Gas connection hose – rear	P03702037D	2
15	Gas connection hose – front	P03702038D	2
16	Bowl panel – rear upper	P00737369A	1
17	Bowl panel – rear lower	P0075801AB	1
18	Bowl side panel – left	P0072094JA	1
19	Bowl side panel – right	P0072195JA	1
20	Bowl	P0071367JA	1
21	Grease shield – upper	P06902126C	2
23	Grease shield – lower	P06902127C	2
24	Infrared burner assembly	P02005024F	4
25	Gas jet with fitting – 30 mbar – 50 mbar	P06539022A P06539023A	4 4
26	Gas collector box (cross lighter)	P02212377A	2
27	Hood hinge set	P05501136L	2
28	Thermocouple protector	P03343017C	4
29	Thermocouple bracket – LF / RR	P03327082C	2
30	Thermocouple bracket – RF / LR	P03327083C	2
31	Thermocouple for gas valve – front	P05305054B	2
32	Thermocouple for gas valve – rear	P05305055B	2
33a	Thermocouple for LED – LF	P05305056B	1
33b	Thermocouple for LED – LR	P05305057B	1
33c	Thermocouple for LED – RR	P05305058B	1
33d	Thermocouple for LED – RF	P05305059B	1
34a	Electrode – LF, 1400 mm	P02618046A	1
34b	Electrode – LR, 1750 mm	P02618047A	1
34c	Electrode – RR, 1000 mm	P02618048A	1
34d	Electrode – RF, 700 mm	P02618049A	1
35	Heat shield bracket	P0300612FD	1
36	Control panel heat shield	P03008186B	1
37	Gas valve / manifold assembly – 30 mbar – 50 mbar	Y0060661 Y0060662	1 1
37-1	Gas valve – 30 mbar, left – 50 mbar, left	P03246014A P03246015A	2 2
37-2	Gas valve – 30 mbar, right – 50 mbar, right	P03246018A P03246019A	2 2
37-3	Manifold – CE	P05005361H	1

Ref	Description	Part #	Qty
38a	LED with wire – LR, 1120 mm,	P02515155A	1
38b	LED with wire – LF, 950 mm	P02515156A	1
38c	LED with wire – RF, 710 mm	P02515157A	1
38d	LED with wire – RR, 560 mm	P02515158A	1
39	Control panel upper – 30 mbar – 50 mbar	P02915251A P02915251B	1 1
40	Control panel	P02915264U	1
41	Control knob seat	P03439024A	4
42	Control knob	P03436043V	4
43	Grease tray heat shield	P06903069A	1
44	Grease tray	P02717615B	1
44-1	Grease tray handle	P00213032H	1
45	Grease receptacle	P02701305G	1
47	Universal hose barb	P03901024A	1
49	Lighting stick	P05313009B	1
50	Gas cylinder heat shield	P01003053D	1
51	Trolley panel – left	P07605035B	1
52	Trolley panel – right	P07606038B	1
53	Trolley panel – rear	P07624001B	1
54	Trolley panel – bottom	P01003014D	1
55	Electronic igniter – 4 port	P02502344C	1
56	Bowl bracket	P03315026D	2
57	Door hinge bracket – left upper	P03313031D	1
58	Door hinge bracket – right upper	P03313032D	1
59	Door hinge bracket – left lower	P03313033D	1
60	Door hinge bracket – right lower	P03313034D	1
61	Castor seat – LF / RR	P05327064H	2
62	Castor seat – RF / LR	P05327065H	2
63	Castor 3" without brake – rear	P05112026A	2
64	Castor 3" with brake – front	P05112027A	2
65	Spice basket	P05203012F	1
66	Door assembly – left, white – left, black	P04305061Q P04305061B	1 1
67	Door assembly – right, white – right, black	P04306031Q P04306031B	1 1
68	Door hinge set	Y0550002	2
69	Door guide plate	P05510137A	1
70	Door magnet	P05523056L	4
71	Trolley door bracket – front upper	P03305072D	1
72	Gas cylinder holder	P05359003G	1
73	Gas cylinder holder bracket	P04009032C	2
74	Gas cylinder fastening strap	P05314002V	1
75	Side shelf – left	P01102057D	1
76	Side shelf – right	P01103047D	1
77	Side shelf trim plate – left	P07503023A	1
78	Side shelf trim plate – right	P07502031A	1
79	Side shelf support bracket	P03342015L	4
80	Control box bracket	P03343018D	1
81	Electronic igniter protector	P05545005M	1
82	LED controller	P05357004B	1
83	Electronic wire protector	P055330043	1
84	Gas cylinder frame	P04021011C	1

PARTS DIAGRAM

This diagram is provided to assist you identify parts if replacement is necessary. Contact your place of purchase or the manufacturer to enquire about parts, availability and or service. Items included in your barbecue may differ from the Parts List, depending on region or specific dealer specifications.



US Patented
Europe Patent Pending
Australia Patent No.:2006100635
Germany Patent No.:202006012212.5
France Patent No.:0607231
UK Patent No.:GB2440714
China Patent No.:960361

- (IE) (GB) **NOTE:** This information is a guide only. Items included in your BBQ specification may differ depending on region or specific dealer specification.
- (CH) (FR) **NOTE:** Ces renseignements sont donnés à titre indicatif. Il est possible que les articles inclus dans les spécifications de votre barbecue diffèrent selon la région ou les caractéristiques stipulées par le concessionnaire.
- (AT) (CH) (DE) **ANMERKUNG:** Diese Anleitung dient nur zu Informationszwecken. Einzelteile der Grillspezifikation sind unter Umständen verschieden entsprechend der Vertriebsregion oder bestimmten Händleranforderungen.
- (CH) (IT) **AVVERTENZA:** Queste informazioni hanno il valore di guida soltanto. Gli articoli compresi nelle caratteristiche tecniche del barbecue potrebbero variare a seconda della regione o del concessionario.
- (LU) (BE) (NL) **ATTENTIE:** Deze informatie is alleen bedoeld als gids. Onderdelen in uw BBQ specificatie en pakket kunnen per regio of per dealer verschillen.
- (SE) **ANM.:** Denna information är endast avsedd som handledning. Specifikationerna för grillen kan variera regionalt eller beroende på de krav som olika återförsäljare har.
- (FI) **HUOMATKAA:** Nämä tiedot ovat pelkästään suuntaa antavia. Ostamanne grillin yksityiskohdat voivat olla erilaiset paikkakunnan tai erityisten myyjäkohtaisten yksityiskohtien mukaan.
- (ES) **NOTA:** Esta información es una guía únicamente. Es posible que las indicaciones incluidas en las especificaciones de su Asador sean diferentes según la región o las especificaciones específicas del representante.
- (PT) **NOTA:** Esta informação é simplesmente um guia. Os itens incluídos na especificação do seu BBQ poderão diferir dependendo da especificação da região ou do vendedor específico.
- (DK) **NB:** Denne information er kun vejledende. Specifikationer kan variere efter ønske fra forhandler, eller i henhold til nationale regler.
- (NO) **NB:** Denne informasjon er kun veiledende. Spesifikasjoner kan variere som stipulert av forhandler, eller i henhold til nasjonale krav.
- (PL) **UWAGA:** Informacje te służą jedynie, jako wskazówki. Elementy wchodzące w skład specyfikacji twojego grilla mogą się różnić w zależności od rejonu lub szczególnych specyfikacji dealera.

SERVICE

service@grandhall.eu

Grand Hall Europe
PO Box 431
7570 AK Oldenzaal
The Netherlands

T: +31 (0) 541 531669

F: +31 (0) 541 534563

www.grandhall.eu

All specifications are subject to change without notice.

Toutes les caractéristiques sont susceptibles d'être modifiées sans préavis.

Änderungen ohne vorherige Bekanntgabe vorbehalten.

Tutti i dati tecnici possono cambiare senza preavviso.

Alle specificaties kunnen zonder voorafgaande kennisgeving worden gewijzigd.

Kaikki oikeudet teknisten tietojen muutoksiin pidätetään.

Kaikki yksityiskohdat voivat muuttua ilman, että niistä erikseen ilmoitetaan.

Todas las especificaciones están sujetas a cambios sin previo aviso.

Todas as especificações estão sujeitas a alteração sem aviso.

Alle specifikationer kan ændres foruden varsel.

Spesifikasjoner kan endres uten varsel.

Wszystkie specyfikacje mogą ulec zmianie bez uprzedzenia.

Manufacturer:

Grand Hall Enterprises Co. Ltd.
9th Fl. No 298 Rueiguang Rd
Neihu, Taipei, Taiwan