

# SPIRIT<sup>®</sup>



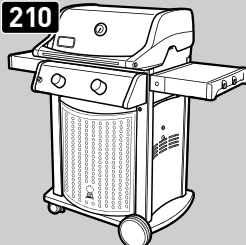
## GAS GRILL



### Assembly Guide

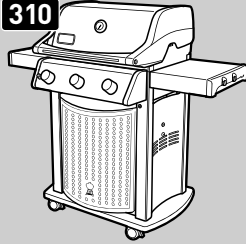
210 CLASSIC • 310 CLASSIC



#58303



**TOOLS NEEDED:**

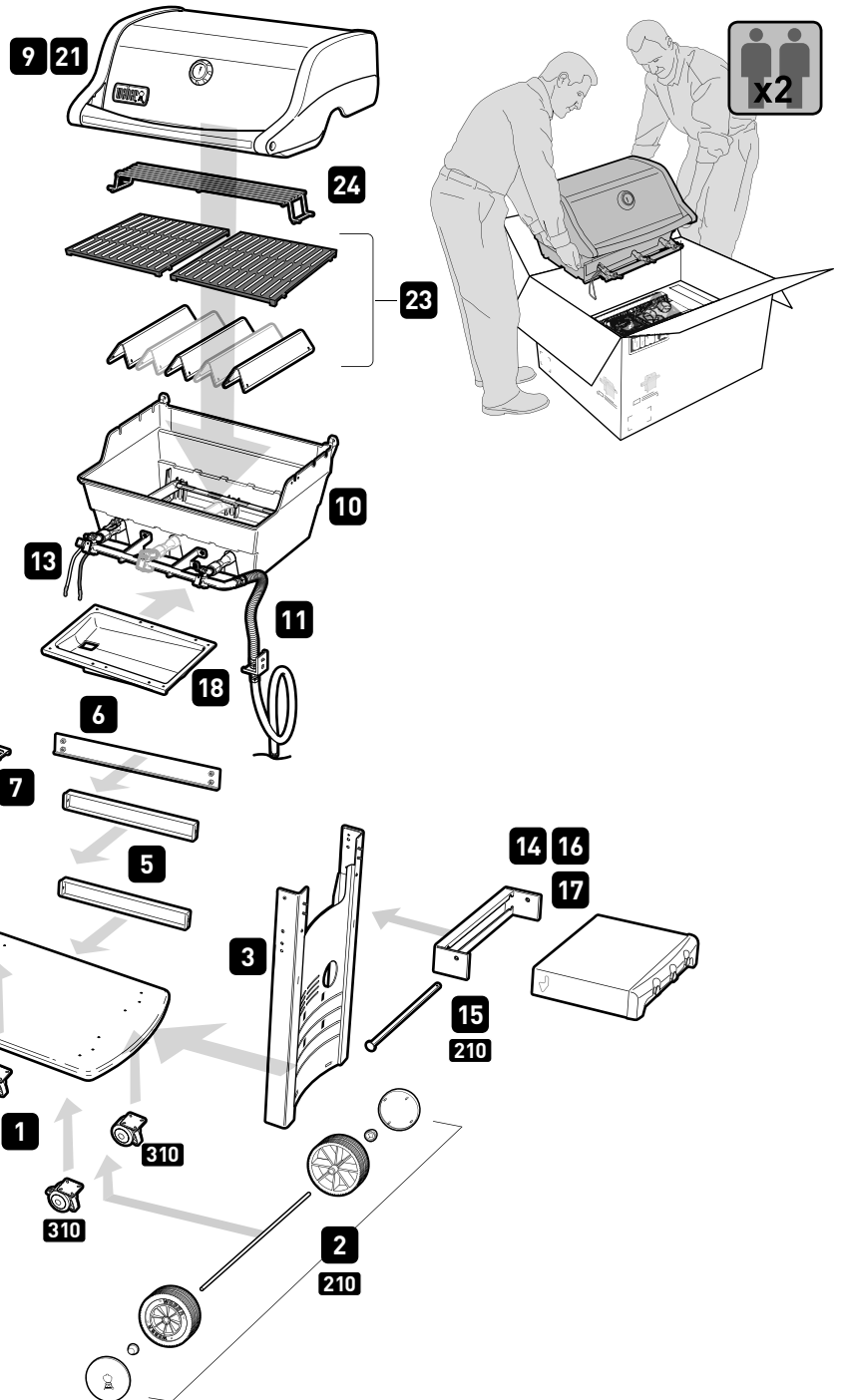


7/16"  



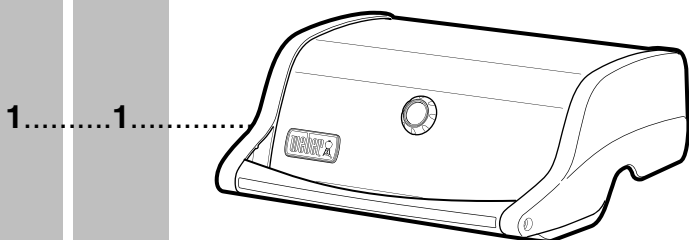
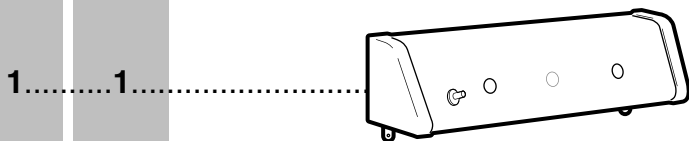
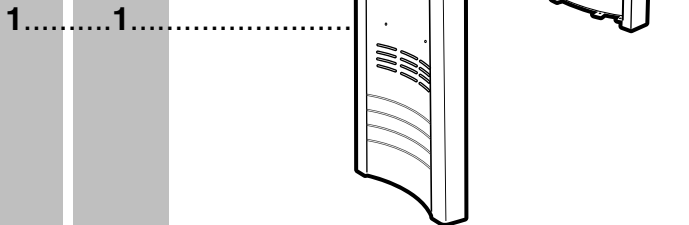
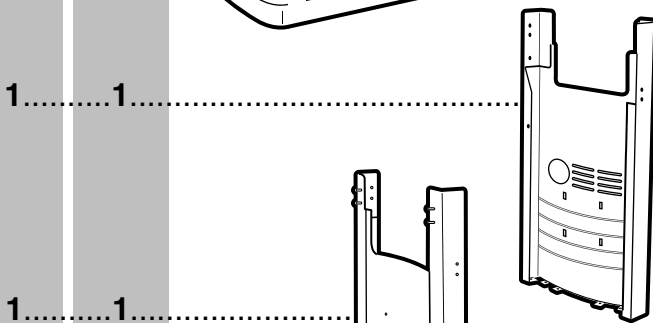
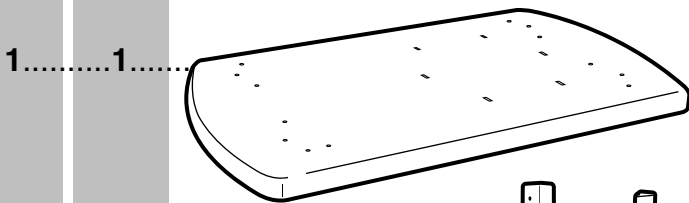
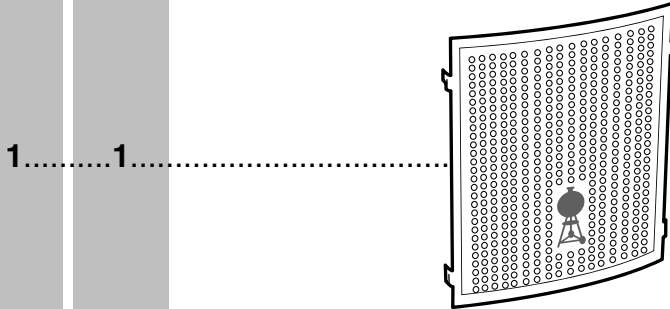
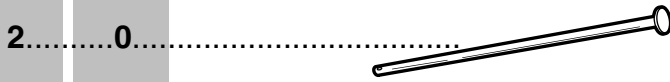
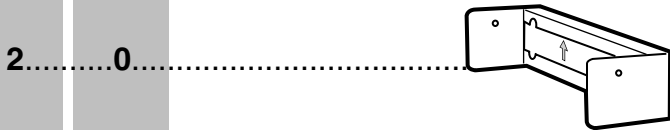
 



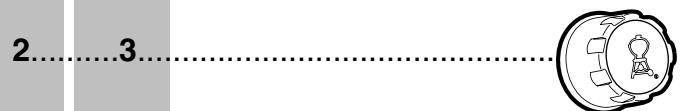
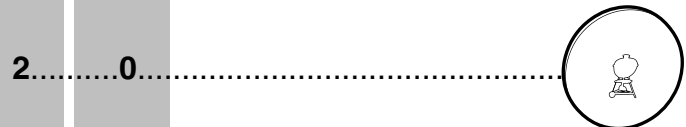
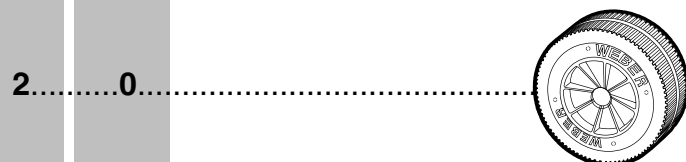
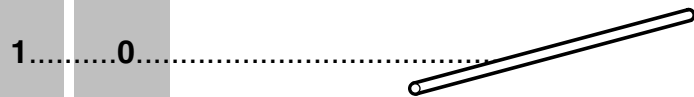
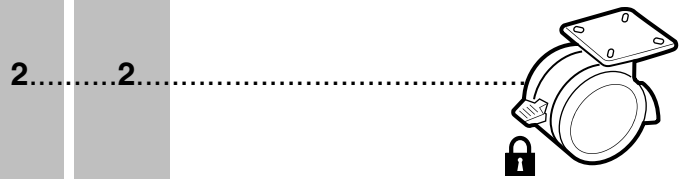
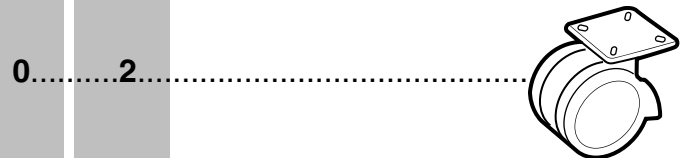
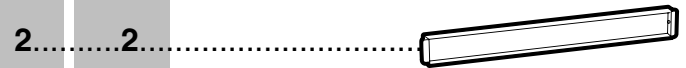
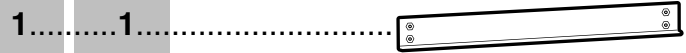
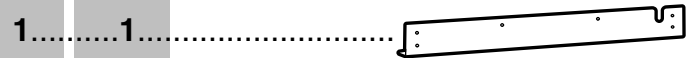
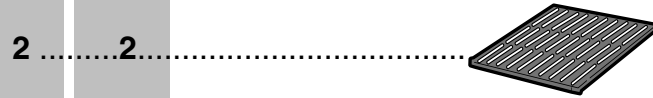
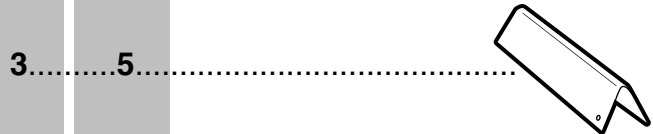
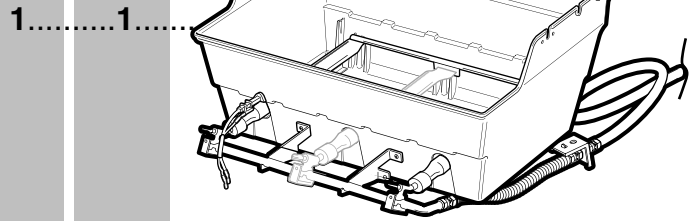
210

310



210

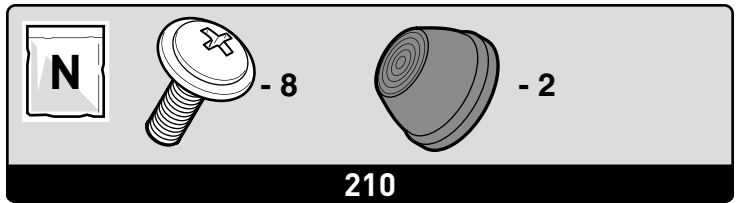
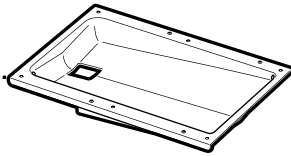
310



210

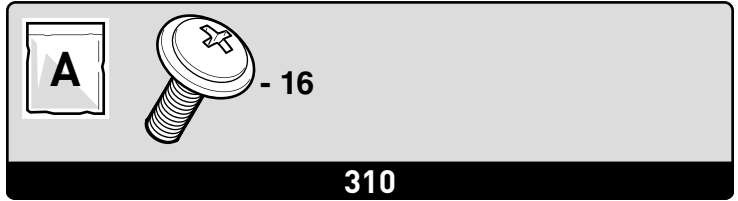
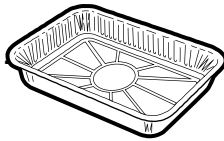
310

1 ..... 1



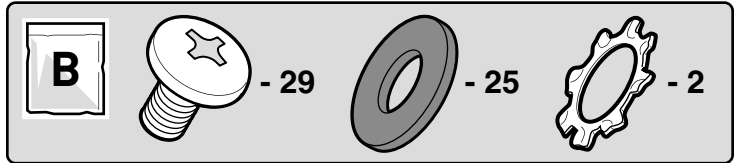
210

1 ..... 1

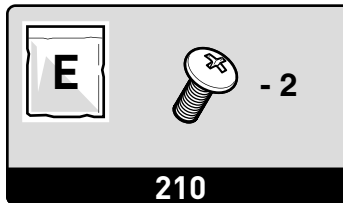
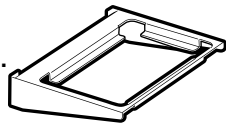


310

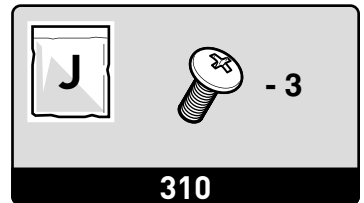
1 ..... 1



1 ..... 0

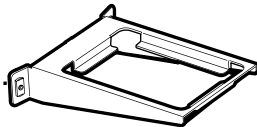


210

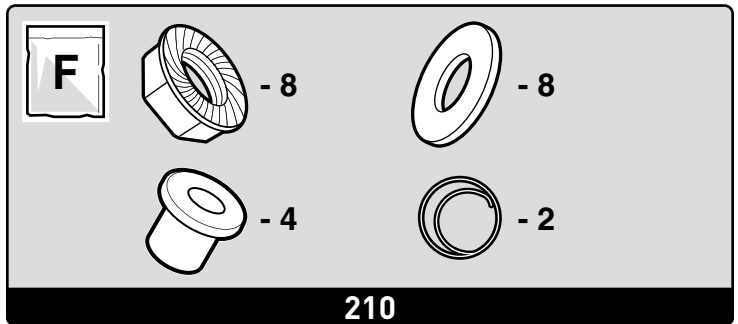
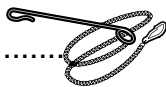


310

0 ..... 1

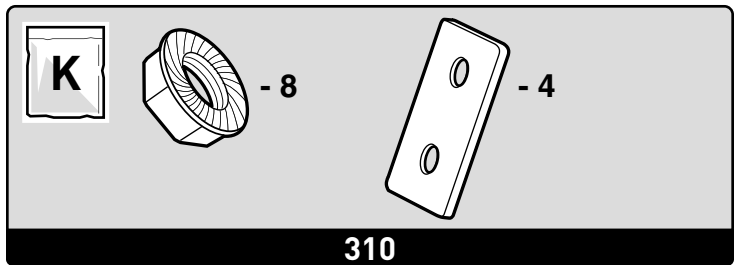


1 ..... 1

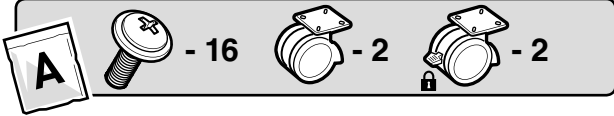
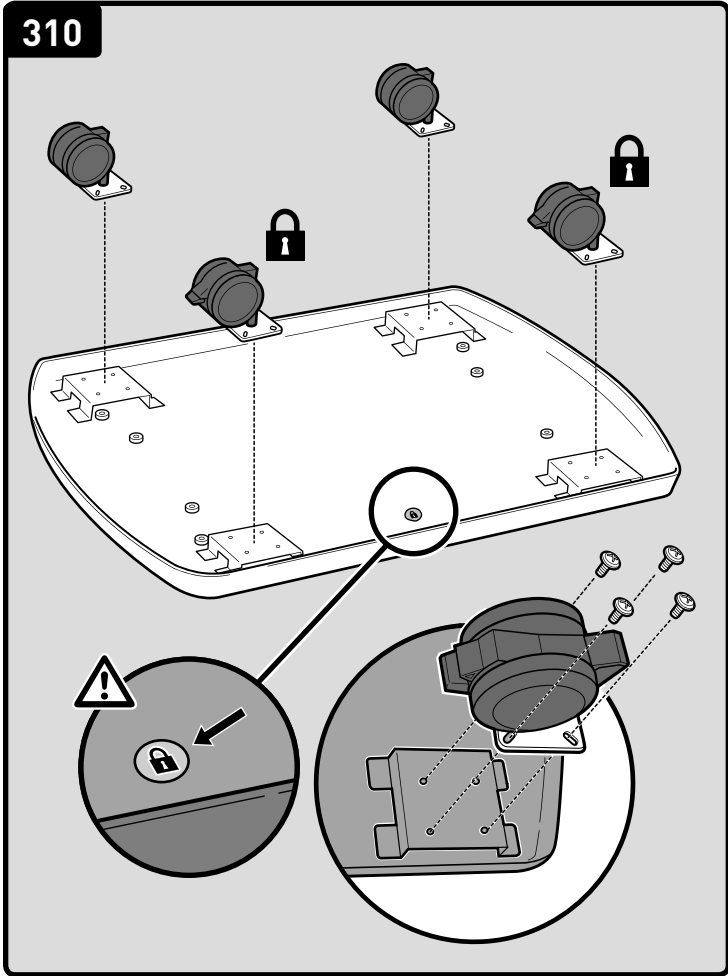
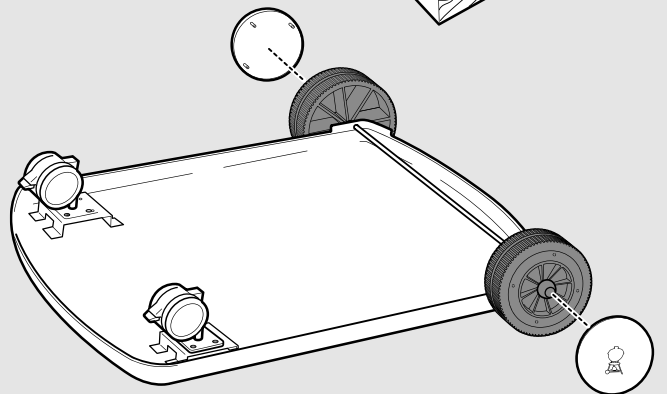
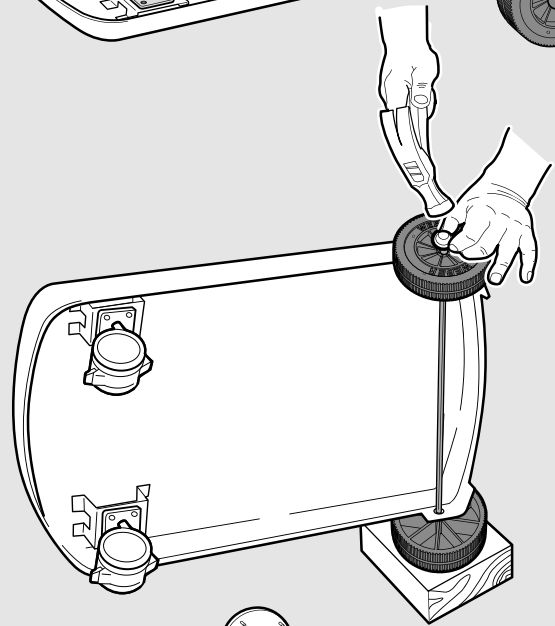
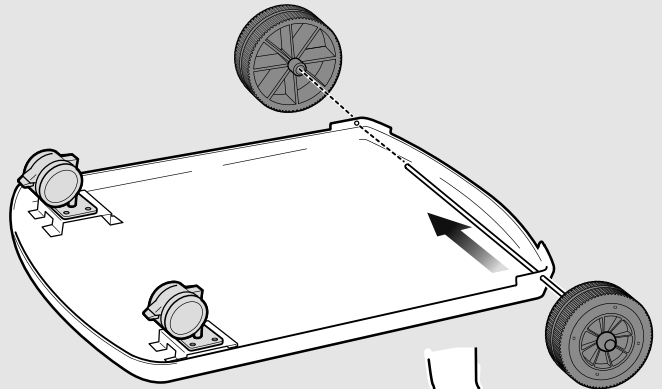
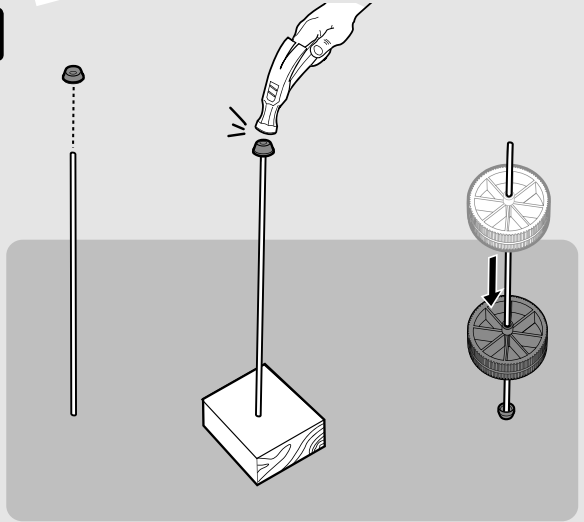
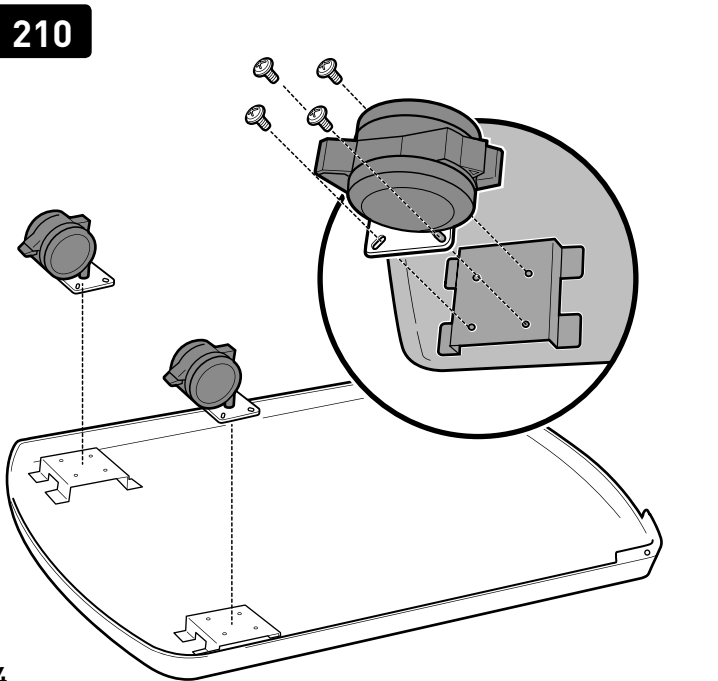


210

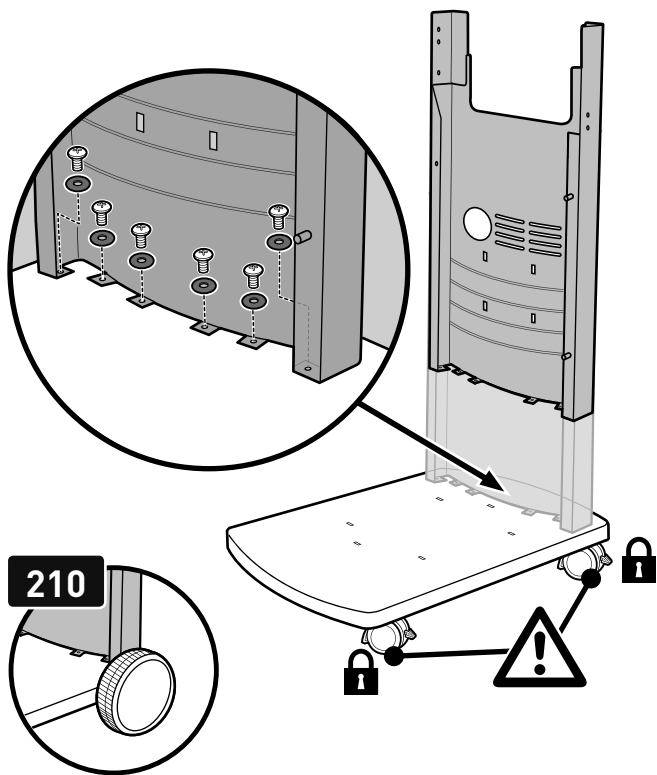
1 ..... 1



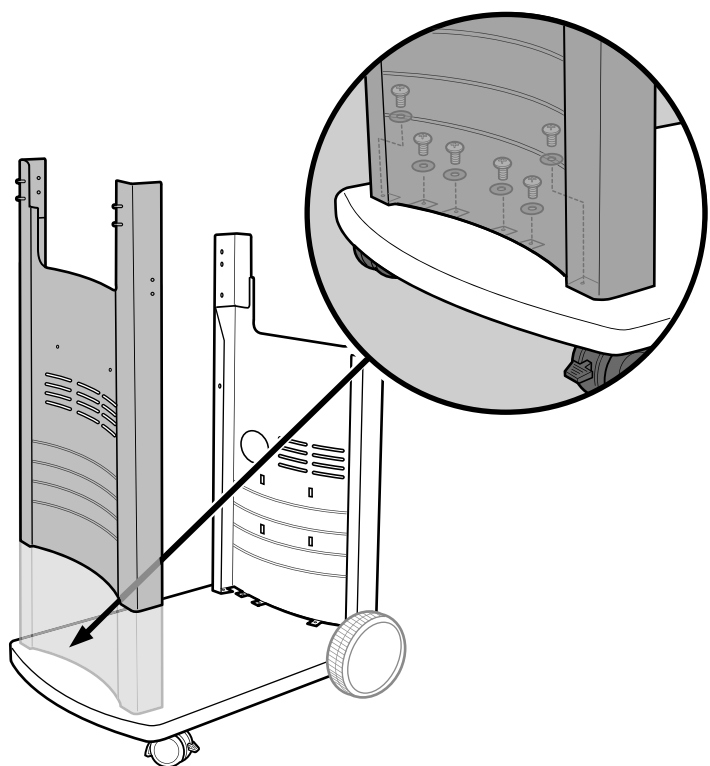
310

**1****310****2****210****1****210**

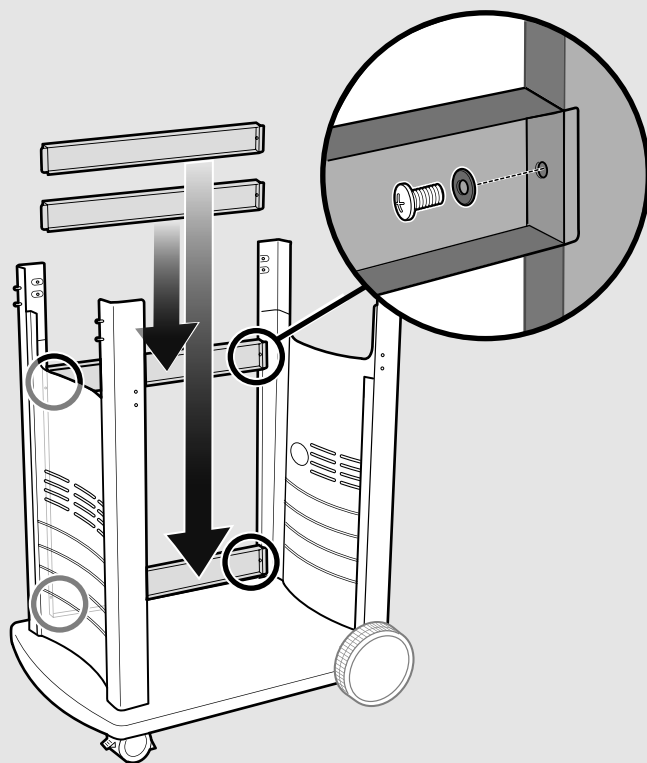
**3** **B** - 6 - 6



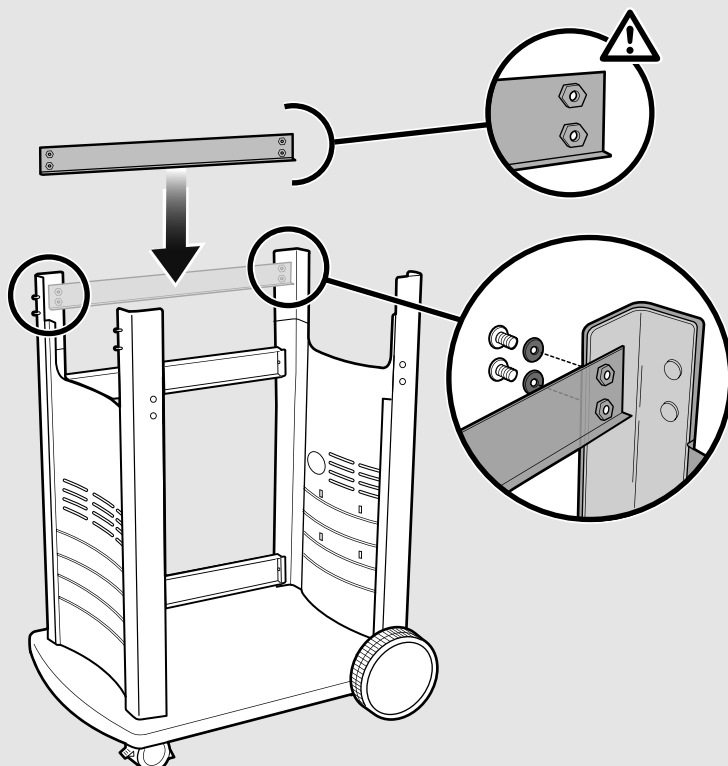
**4** **B** - 6 - 6





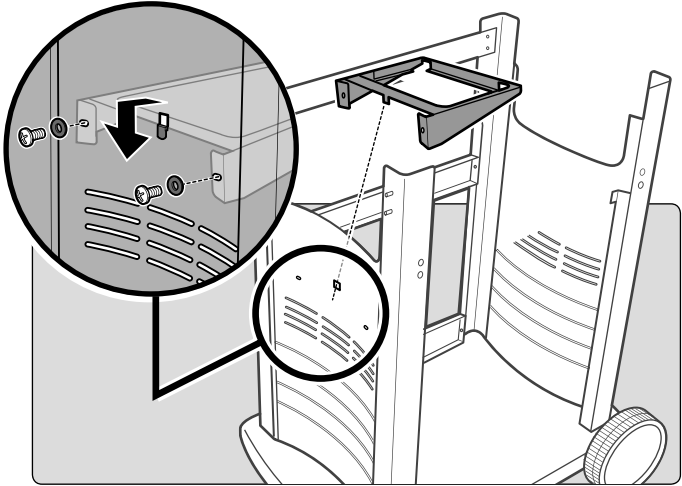
**5** **B** - 4 - 4





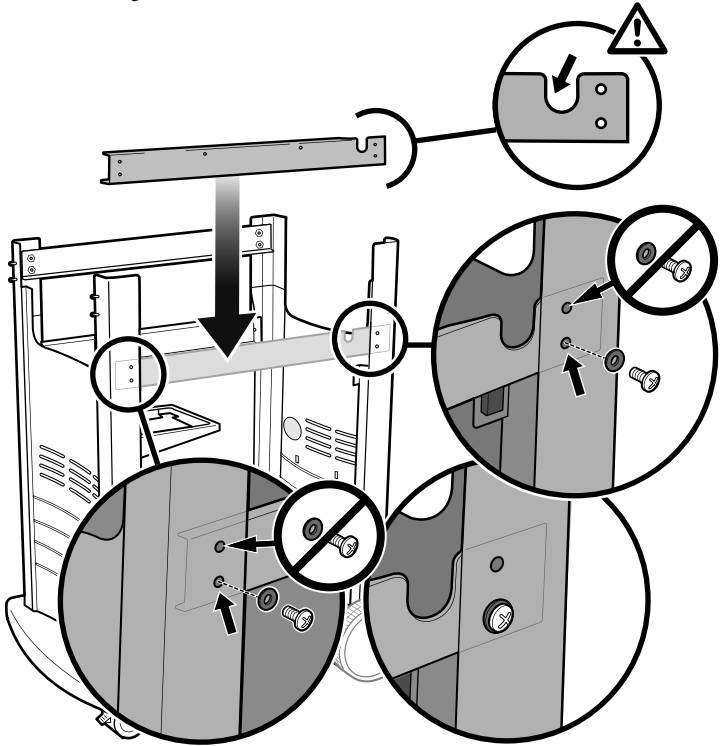
**6** **B** - 4 - 4



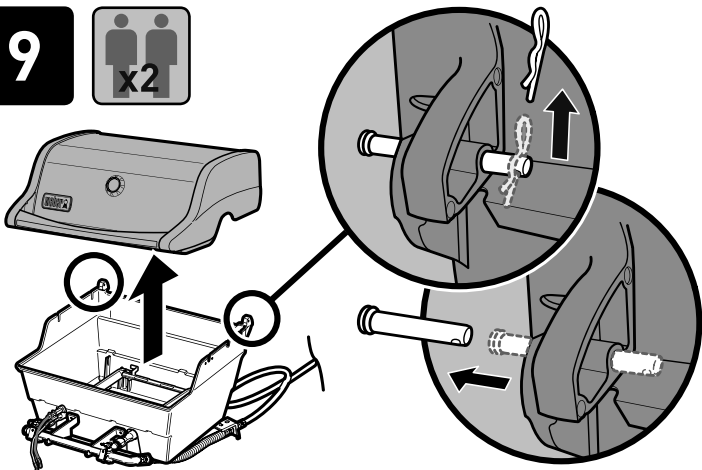
**7** **B**  -2  -2



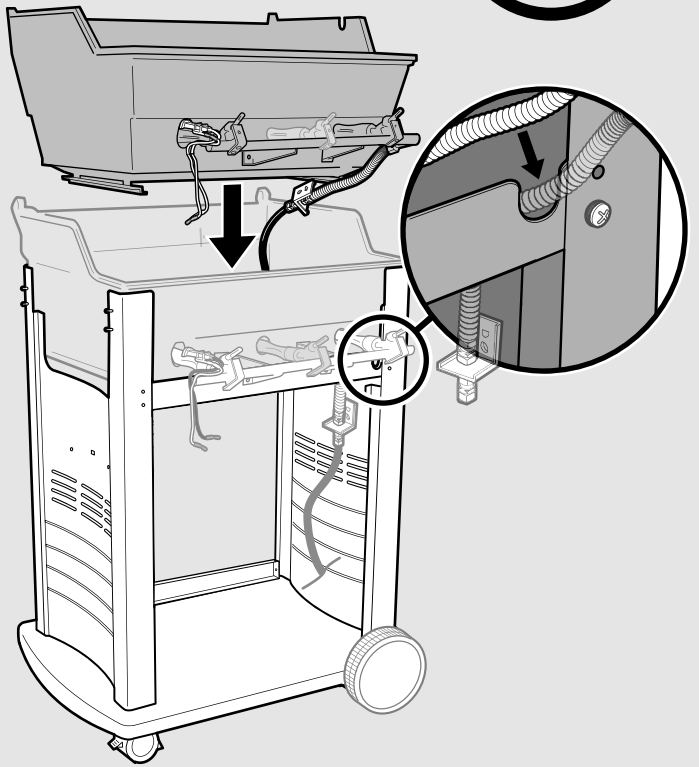
**8** **B**  -2  -2



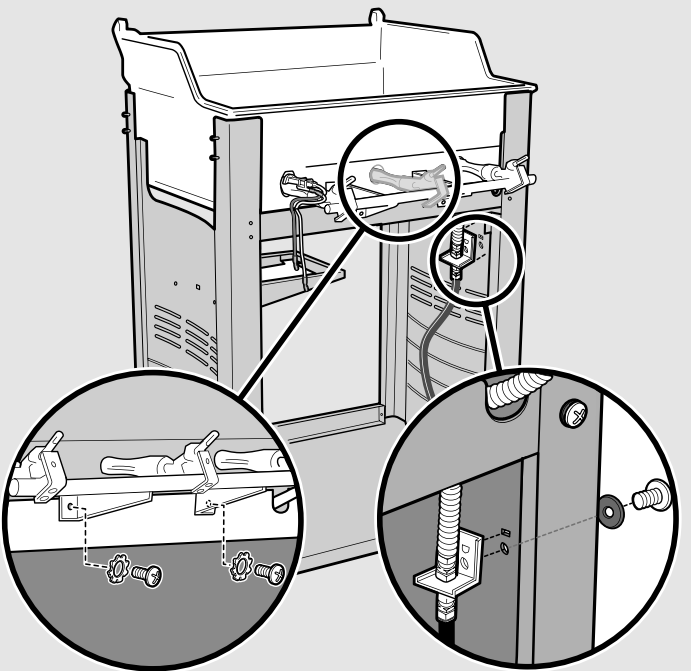
**9**  x2



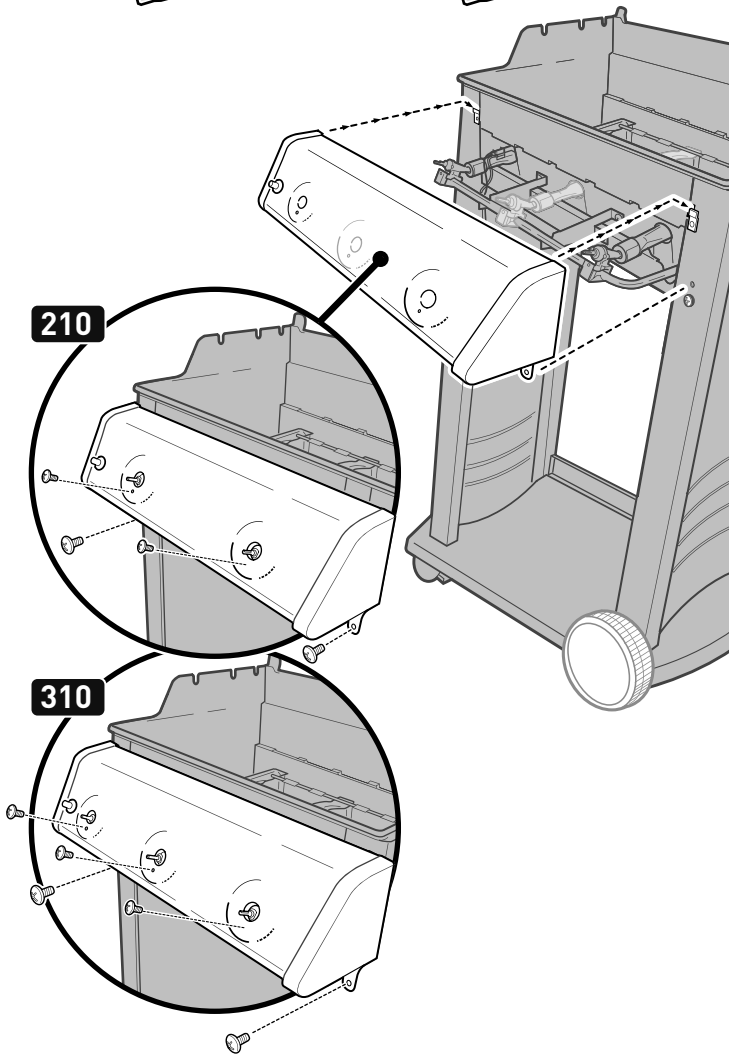
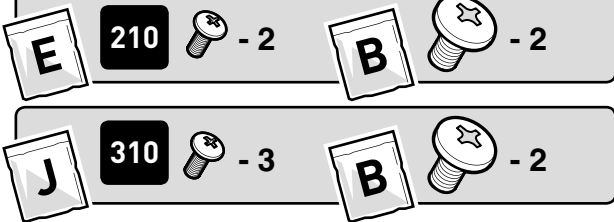
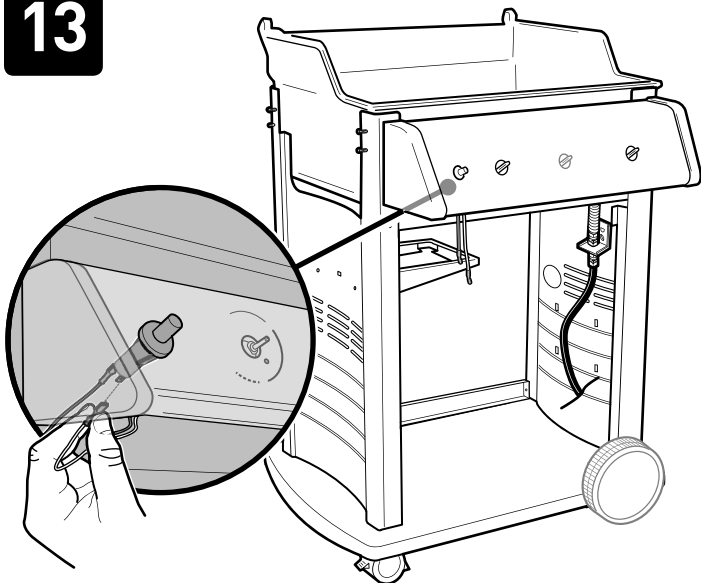
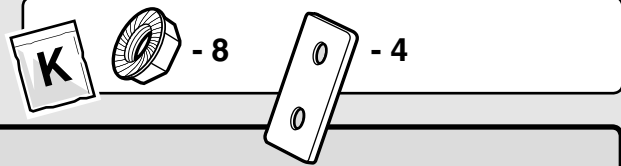
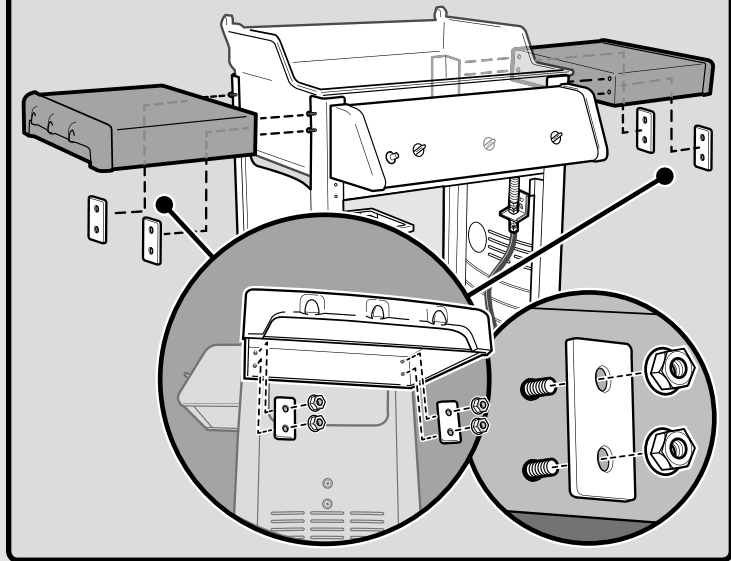
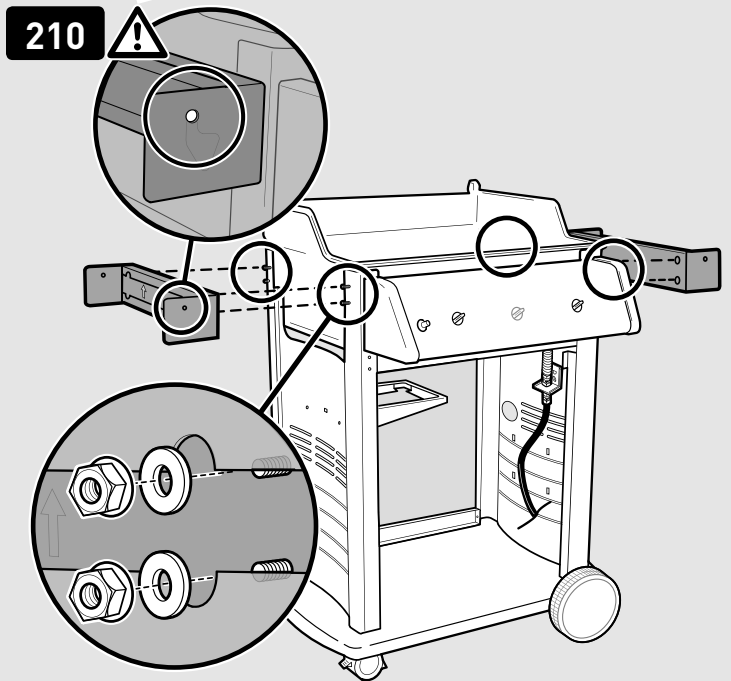
**10**  x2 



**11** **B**  -3  -2  -1



See Owner's Guide for full gas instructions.

**12****13****14****310****14****210**

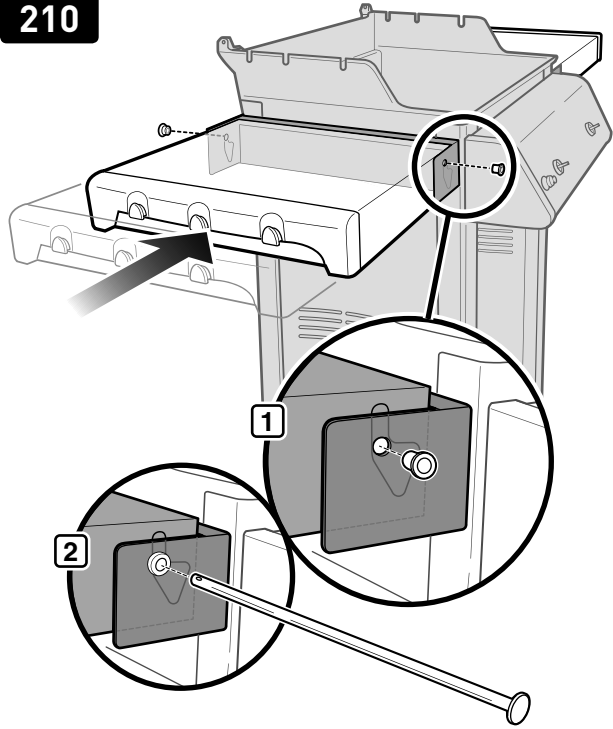
Tighten the nuts until snug. Turn only a quarter turn further. DO NOT OVER TIGHTEN.



15



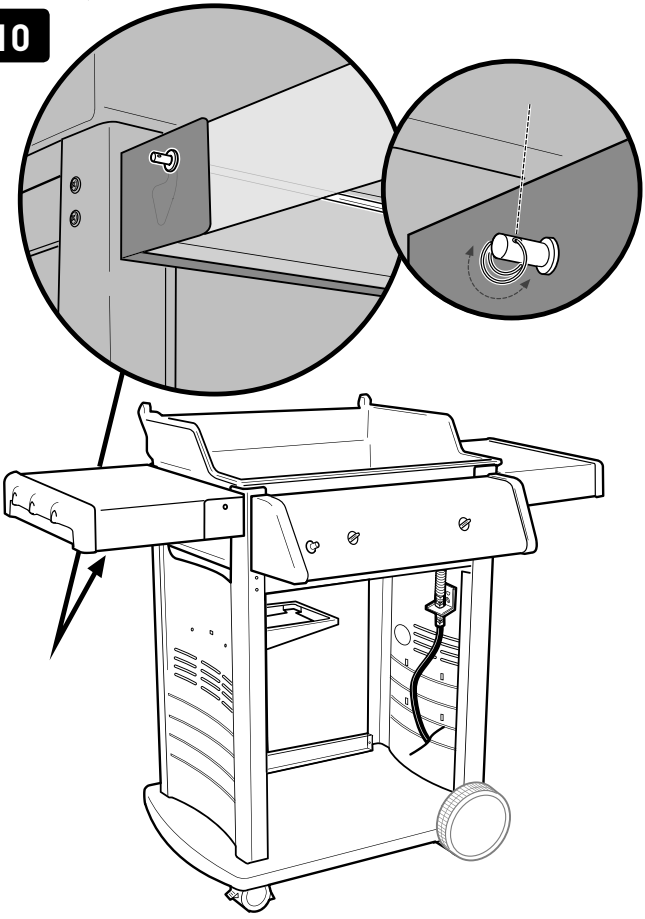
210



16

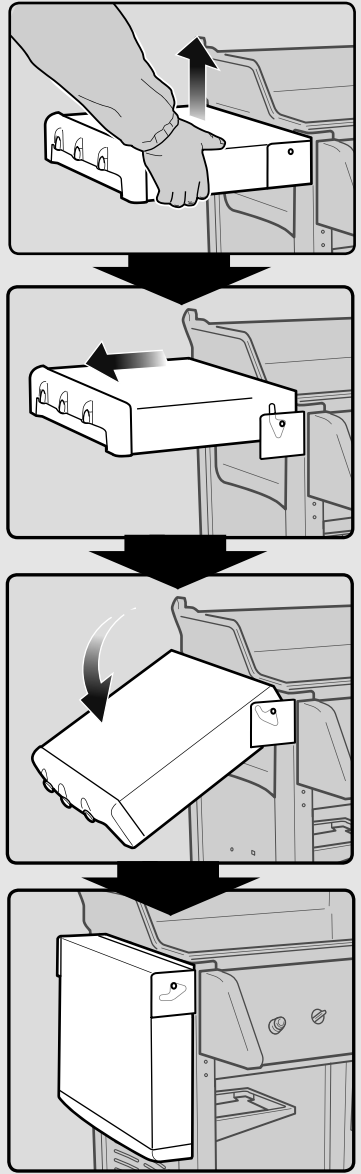


210

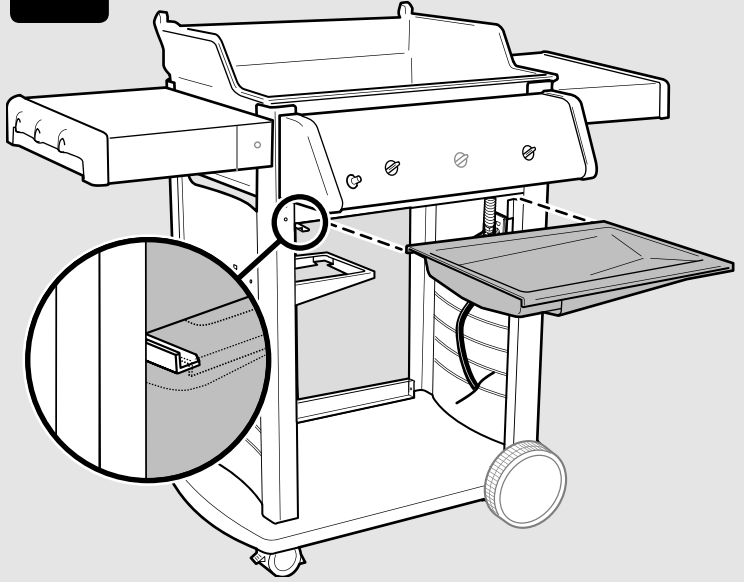


17

210

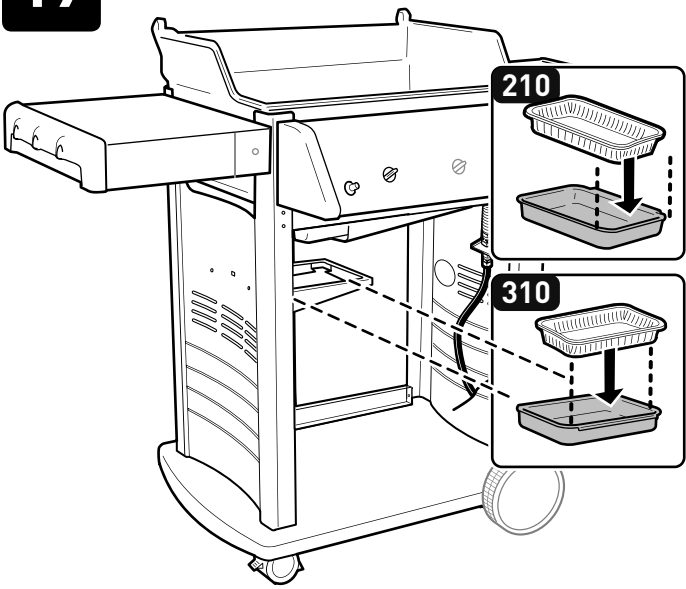


18

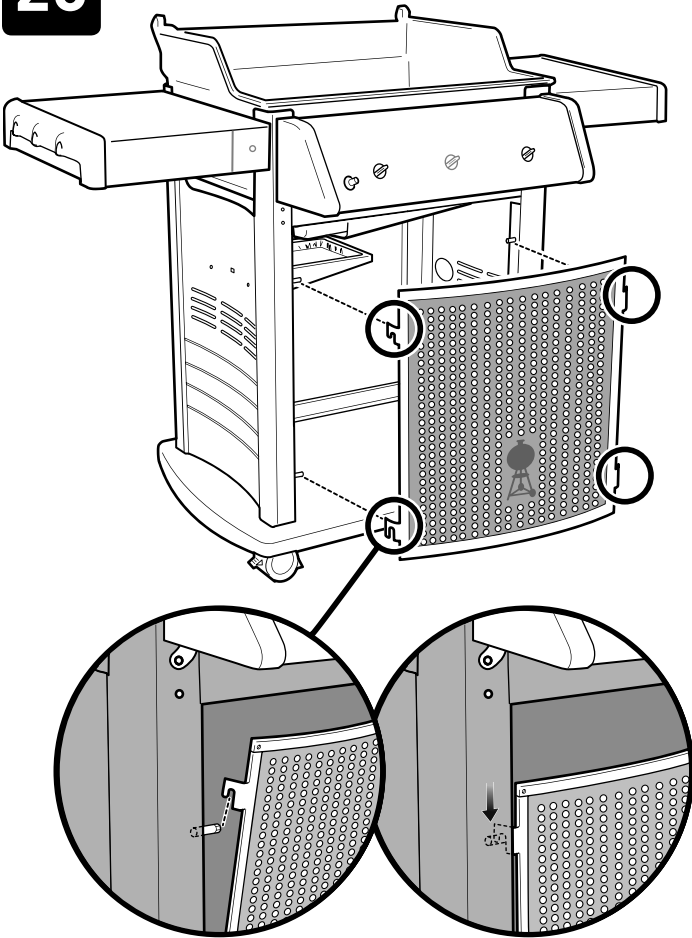




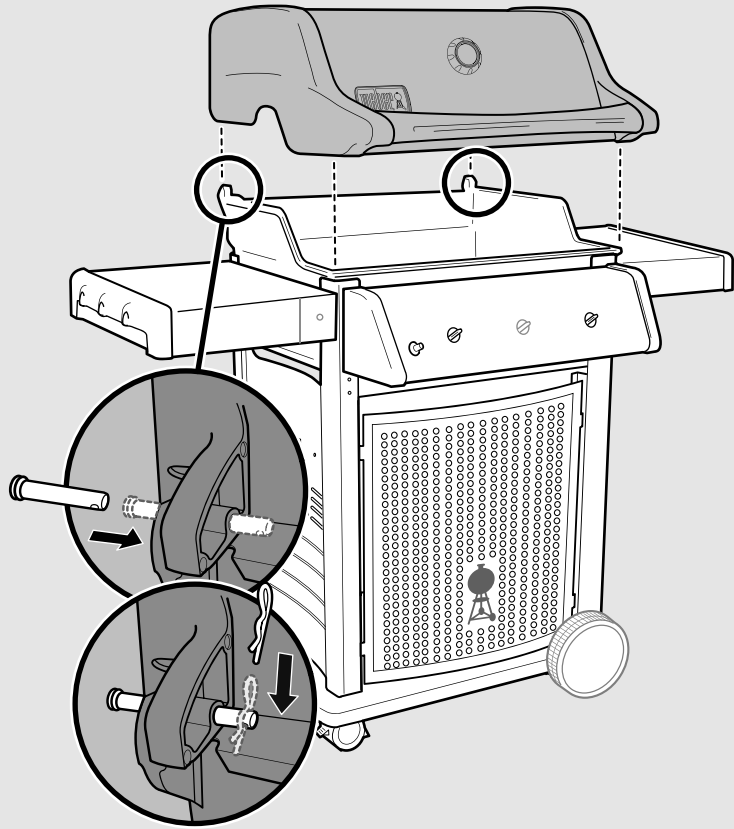
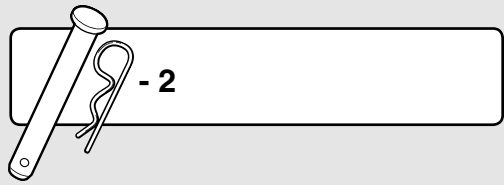
19



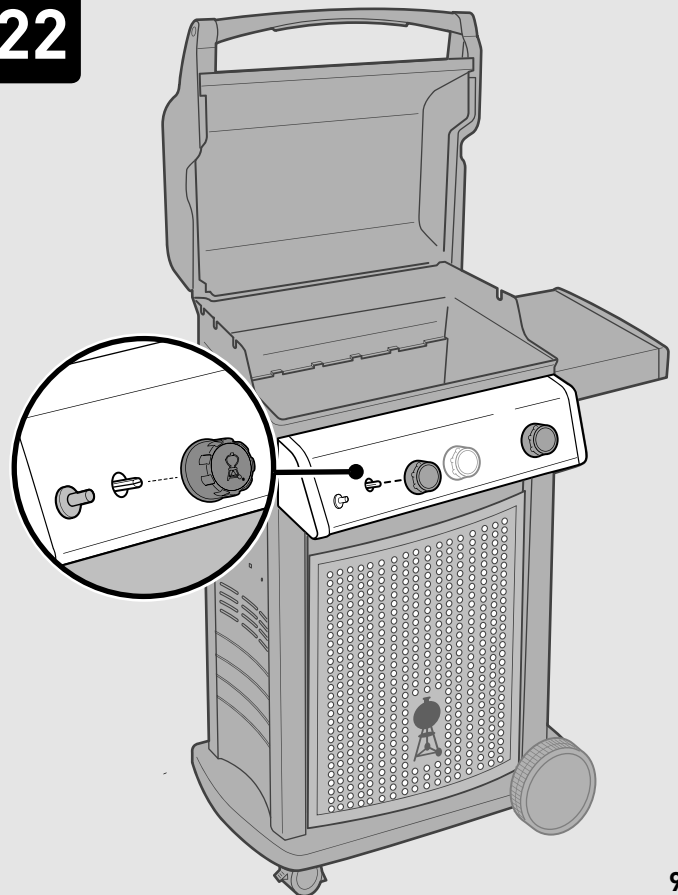
20



21



22



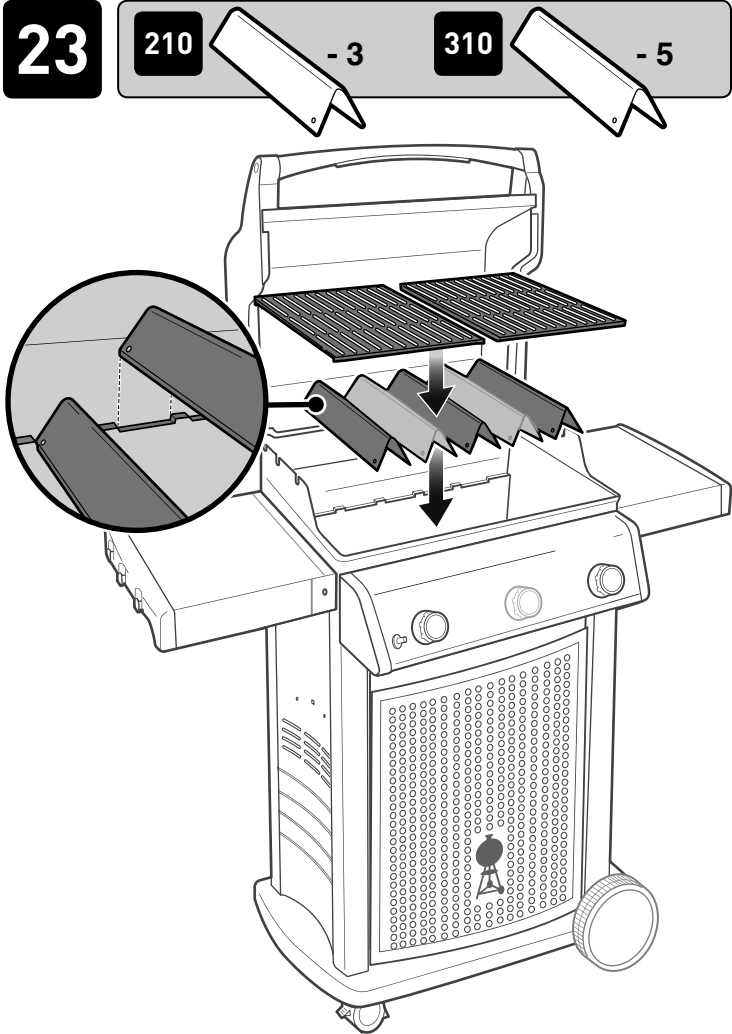
23

210

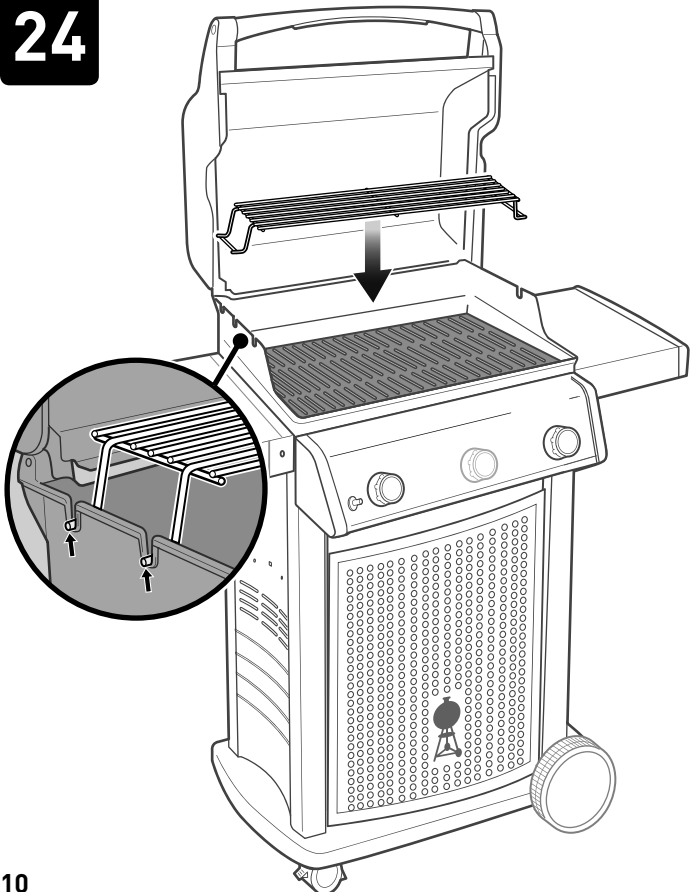
- 3

310

- 5

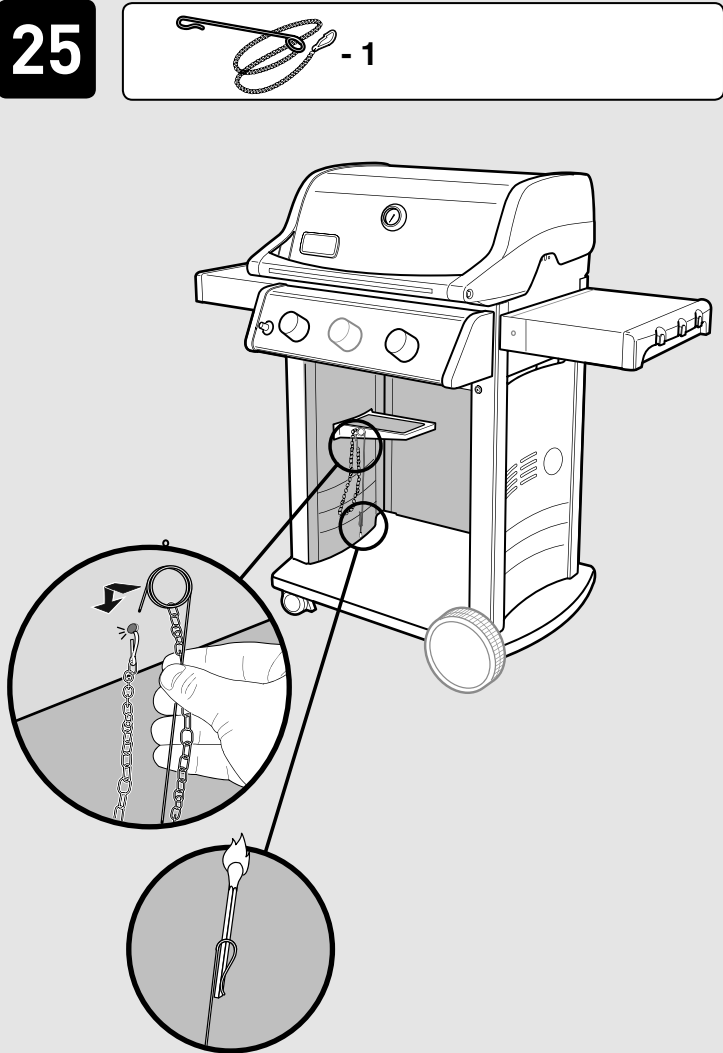


24



25

- 1





**Distribuidor oficial para España:**

**The Barbecue Store**

**Avda. Carmen Saenz de Tejada, 1  
29650 Mijas Costa (Málaga)**

**Teléfono: 952477152 - 952477161**

**Fax.: 952580781**

**Email: [dmblico2@telefonica.net](mailto:dmblico2@telefonica.net)**

**<http://www.thebarbecuestore.es>**



WEBER-STEPHEN PRODUCTS LLC  
[www.weber.com](http://www.weber.com)<sup>®</sup>

© 2013 Designed and engineered by Weber-Stephen Products LLC,  
200 East Daniels Road, Palatine, Illinois 60067 U.S.A.