

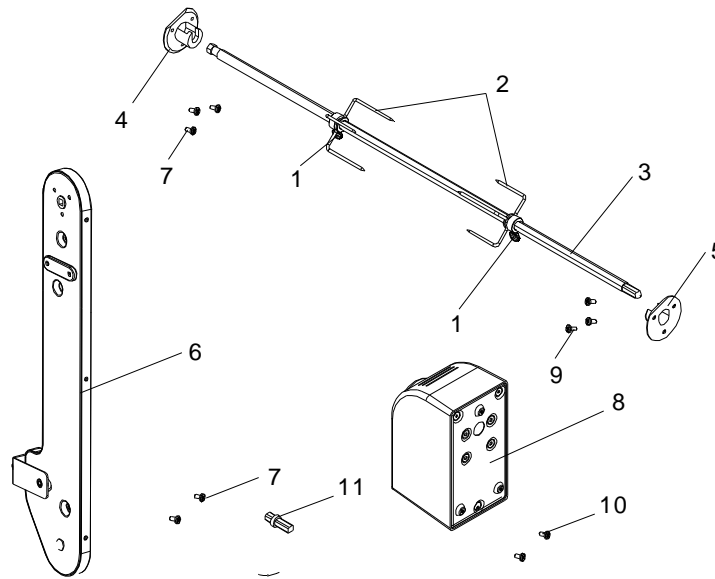
Important Safeguards

When using electrical appliances, basic safety precautions should always be used, including the following:

1. Read all instructions before initial use.
2. Always attach the assembled Rotisserie to your grill first, then plug the Cord into an outlet. To disconnect, turn the Rotisserie "OFF" then remove the Plug from outlet.
3. Most grill surfaces and Rotisserie parts are hot during and after cooking, so use reasonable care around your grill and wear protective mitts. Only maneuver the Rotisserie by its Handle.
4. To protect against electrical shock, do not immerse Electrical Cord, Plug or Motor in water or expose to rain. Protect electrical cord from burners, hot grill surfaces and grease.
5. Do not operate the Rotisserie if the cord or plug becomes damaged, or if the Rotisserie malfunctions or has been damaged in any manner.
6. Do not let children operate your grill or Rotisserie, and do not let children play nearby.
7. Unplug the Rotisserie from electrical outlet when not in use and before cleaning. Allow to cool before adding or removing parts. When the Rotisserie is not in use, store it indoors in a dry place.
8. The use of accessory attachments is not recommended by the manufacturer and may cause injuries. Do not use this Rotisserie for other than intended use.
9. When rotisserie cooking place a Cooking Pan under the food to be cooked. This will capture the drippings and keep your grill clean of excess grease which could cause a fire. Use caution when moving a Cooking Pan containing hot oils.
10. Should a grease fire occur, turn the burners and gas off and leave the grill lid CLOSED until the fire is out.
11. The Rotisserie Motor is set for 9V, 6W DC current.
12. This Rotisserie is for use outdoors only.

Save this Owner's Manual for future reference

Y0250185 Rotisserie Assembly Parts Diagram for OD3208A



Y0250185 Rotisserie Assembly Parts List for OD3208A

KEY	DESCRIPTION	PART#	QTY
1.	Rot. Thumbscrew 1/4"x1/2"	S196G04081	2
2.	Rot. Holding Fork	P055082125	2
3.	Rot. Spit (for OD3208ALP/NG & OD3208BLP/NG)	P055082055	1
4.	Roller/Left	P055520038	1
5.	Roller/Right	P055520048	1
6.	Motor Transmission	P05378004B	1
7.	Pan Head Screw 3/16"x1/4"	S182G0304A	5
8.	Rot. Motor/DC	P07102003A	1
9.	Flat Head Screw 3/16"x3/8"	S142G0306A	3
10.	Self-tapping Screw M3x8	S187M03082	2
11.	Gear Shaft	P05508208A	1

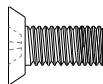
Hardware Pack Parts List for Rotisserie

PART #	PART DESCRIPTION	QTY	PURPOSE OF PART
P06006071A	Hardware Pack	1	For use in assembly of Rotisserie
S182G0304A	Pan Head Screw 3/16"x1/4"	2	Install the Transmission to Right Bowl Panel
S142G0306A	Flat Head Screw 3/16"x3/8"	3	Install the Right Roller
S182G0304A	Pan Head Screw 3/16"x1/4"	3	Install the Left Roller
S187M03082	Self-Tapping Screw M3x8	2	Install the Rotisserie Motor

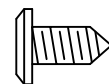
Hardware Pack Diagram for Rotisserie



Pan Head Screw 3/16"x1/4"
Qty. 5
Part # S182G0304A



Flat Head Screw 3/16"x3/8"
Qty. 3
Part # S142G0306A

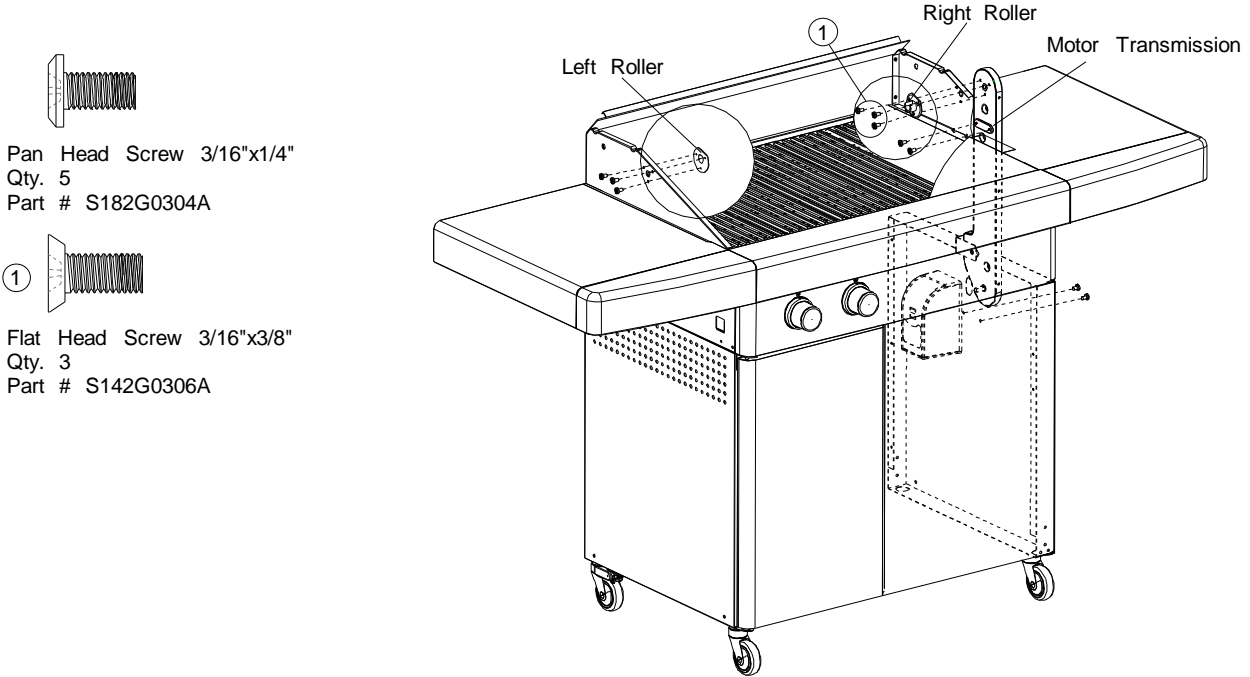


Self-tapping Screw M3x8
Qty. 2
Part # S187M03082

* 6 Batteries/AA included in the Rotisserie Hardware Pack.

Rotisserie Instructions

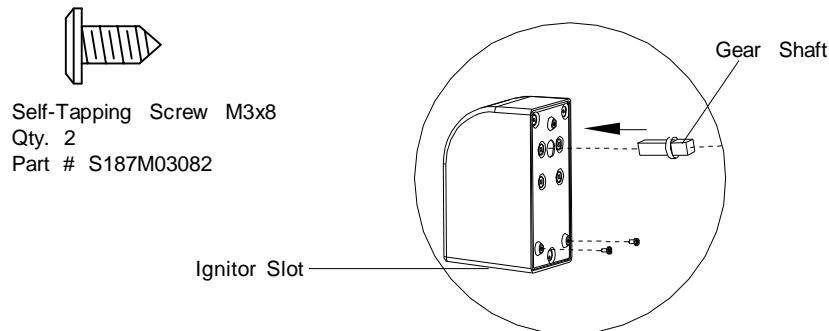
1. Remove all components from the carton.
2. From the underside of the opening on the Right Side Shelf insert the Motor Transmission and install the Transmission to Right Bowl Panel using 2 Pan Head Screws 3/16"x1/4" and tighten securely. Align the 3 holes on the Right Roller, 3 holes on the Right Bowl Panel and 3 holes on the Motor Transmission, then insert 3 Flat Head Screws 3/16"x3/8" tighten securely. Install Left Roller to Left Bowl Panel using 3 Pan Head Screws 3/16"x1/4" tighten securely.



Pan Head Screw 3/16"x1/4"
Qty. 5
Part # S182G0304A

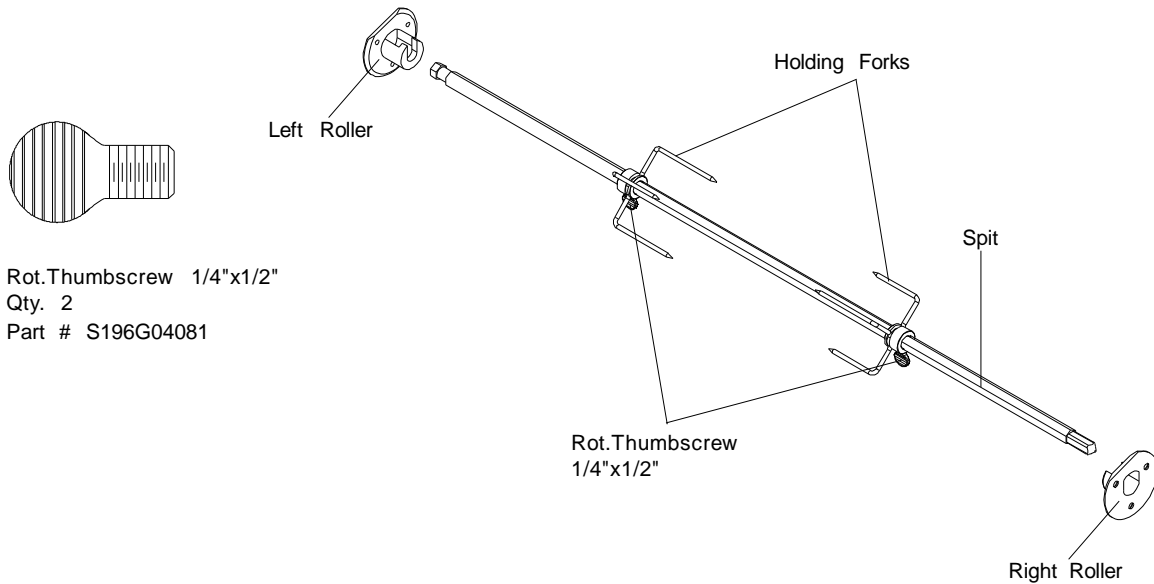
① Flat Head Screw 3/16"x3/8"
Qty. 3
Part # S142G0306A

3. Open the Right Cart Door.
Insert the longer side of the Gear Shaft into the Rotisserie Motor as shown in diagram below. Insert the other end of the Gear Shaft with Motor into the hole on the Motor Transmission. Next, align the 2 holes on the Motor with the 2 holes on the Right Cart Panel, then insert 2 Self-tapping Screws M3x8 and tighten securely.
Note: Before install the DC Rotisserie Motor, please place 6 AA batteries into the Ignitor Slot with negative pole facing the spring.

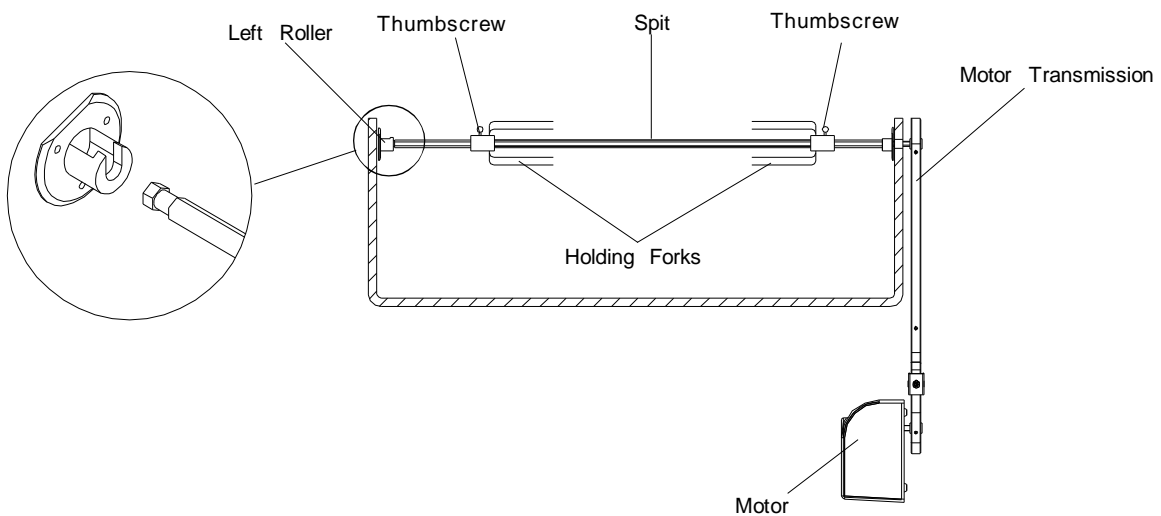


Self-Tapping Screw M3x8
Qty. 2
Part # S187M03082

- Slide a Holding Fork into each end of the Rotisserie Spit. Adjust spacing between Holding Forks to accommodate your food, then tighten the Thumbscrews to keep the Holding Forks in position. Do not tighten the Rot. Thumbscrew until the Holding Forks installed into the Spit.



- Insert the right side of the assembled Rotisserie Spit into the Right Roller and Motor Transmission. Next insert the left side of the Spit into the Left Roller (See diagram below.)



BEFORE rotisserie cooking, you will need to remove the Cooking Grids and possibly the Griddle from your grill.