

# ASSEMBLY INSTRUCTIONS

**Meridian 3 with side burner**  
98510

**Meridian 4 with side burner**  
98512



**MERIDIAN 4 WITH SIDE BURNER**  
98512





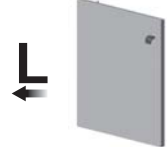


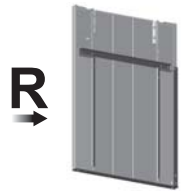

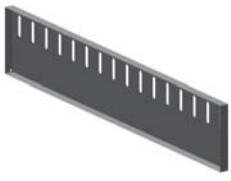









**LIVE THE BRAAI LIFE**

Please note: Your product may differ from the image on the front cover

503-0169 LEV1

1		x1
2		x1
3		x1
4		x1
5		x1
6		x2
7		x2
8		x2
9		x1
10		x1
11		x1
12		x1

13		x3 (3B) x4 (4B)
14		x2 (3B) x3 (4B)
15		x1 (3B)
16		x1
17		x1
18		x1
19		x2
20		x1
21		x1
22		x1

A		x4
B		x8
C		x4
D		x10
E		x2
F		x8
G		x8

1

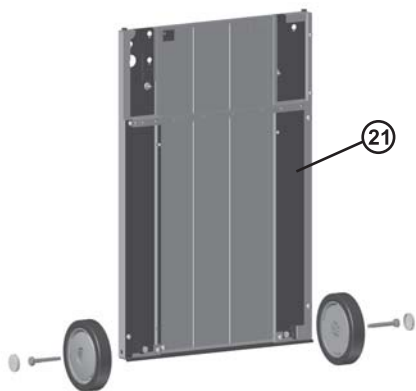
1.1



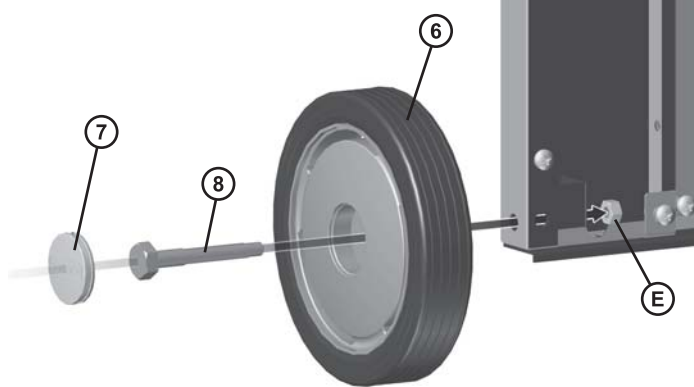
1.2



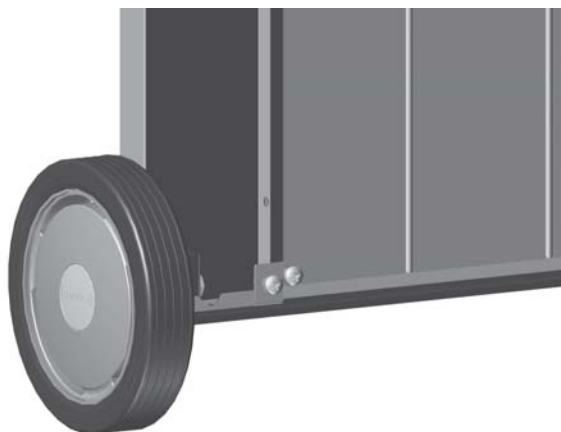
2.1



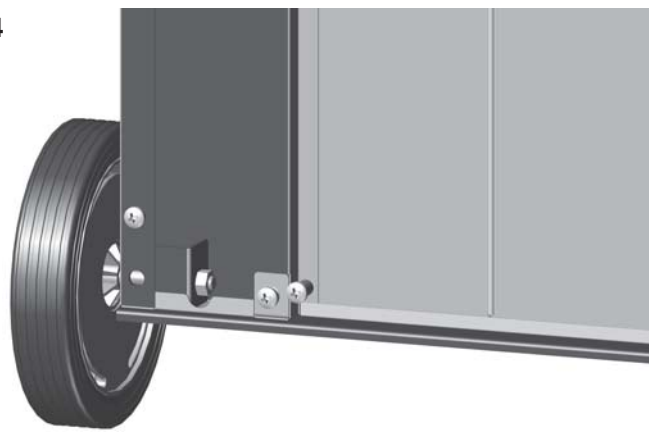
2.2



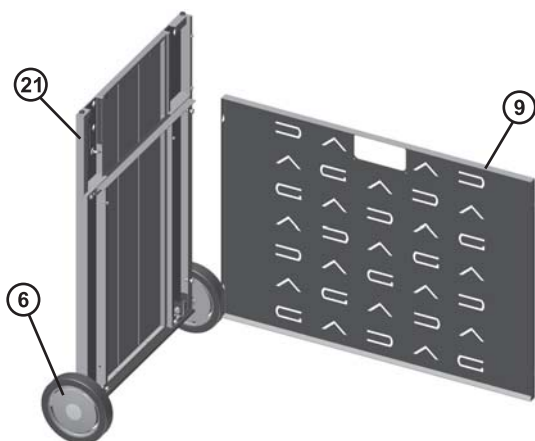
2.3



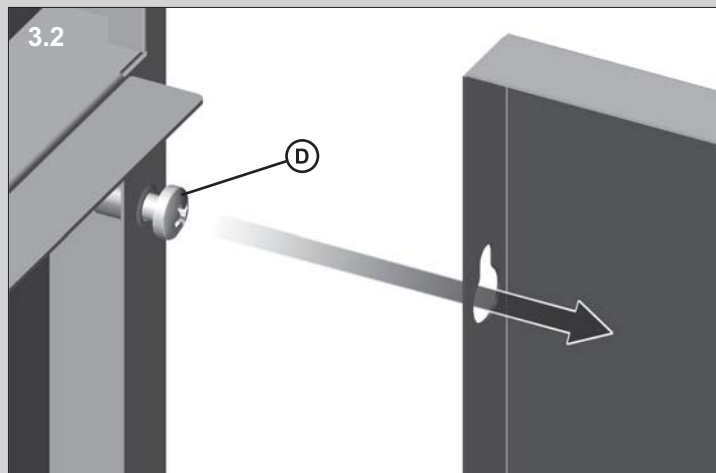
2.4



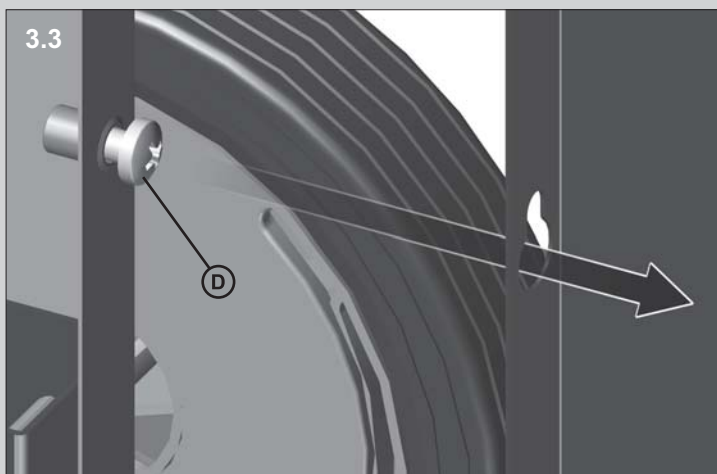
3.1



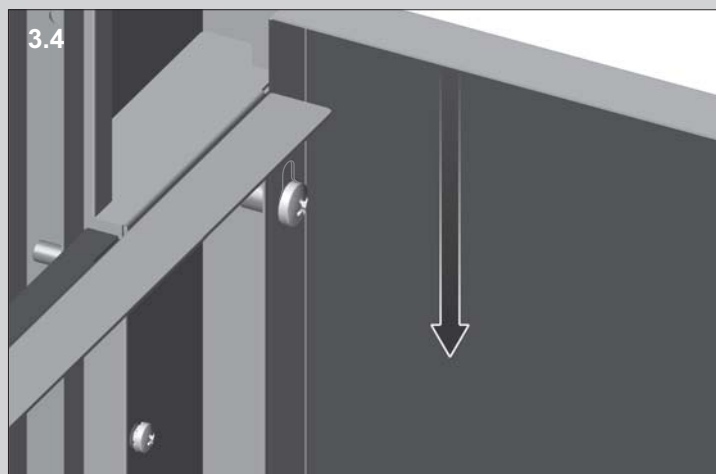
3.2

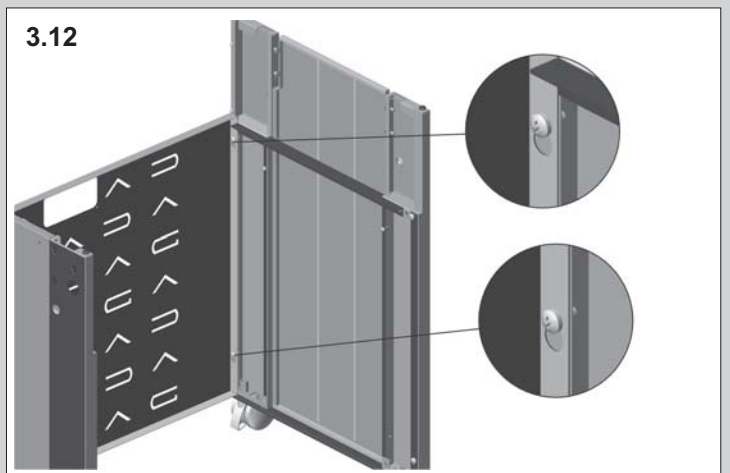
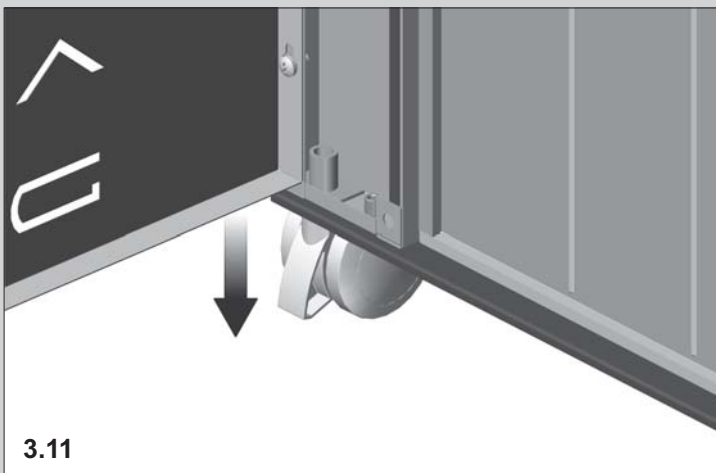
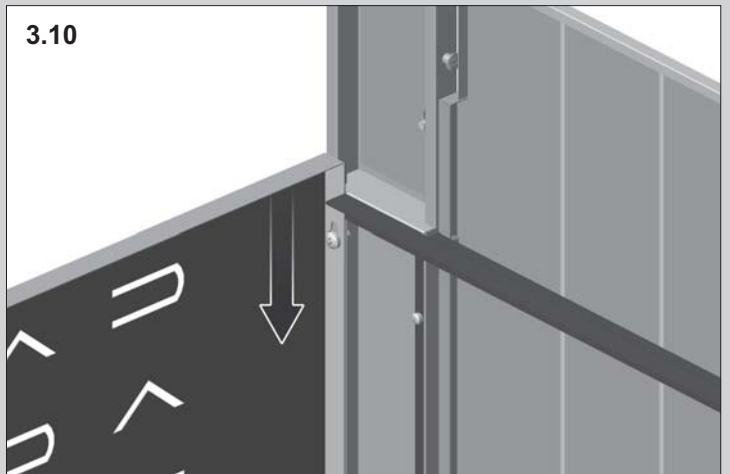
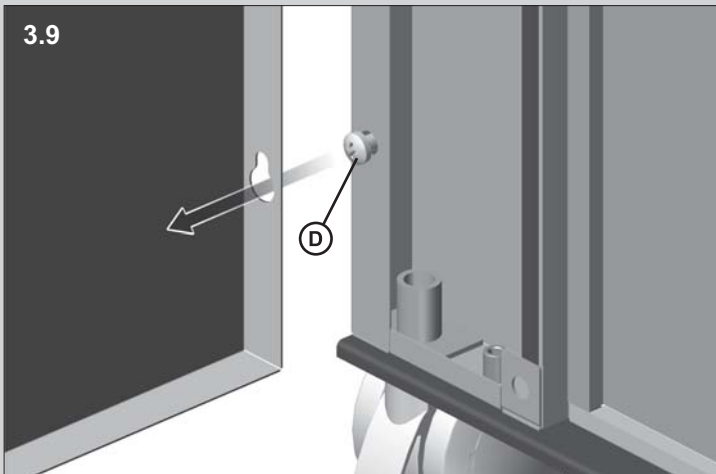
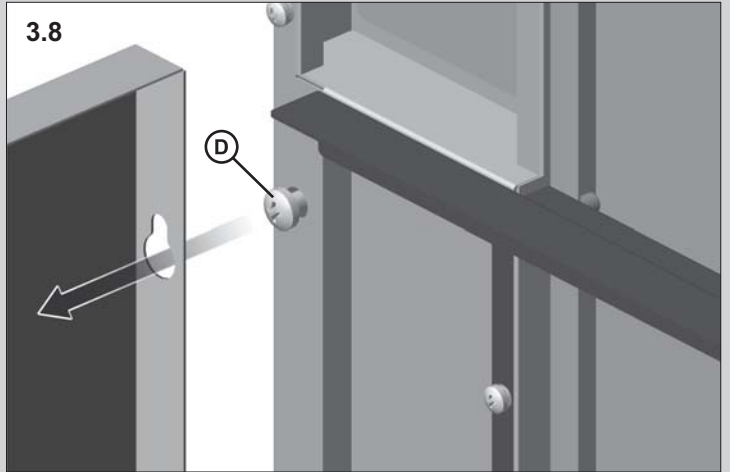
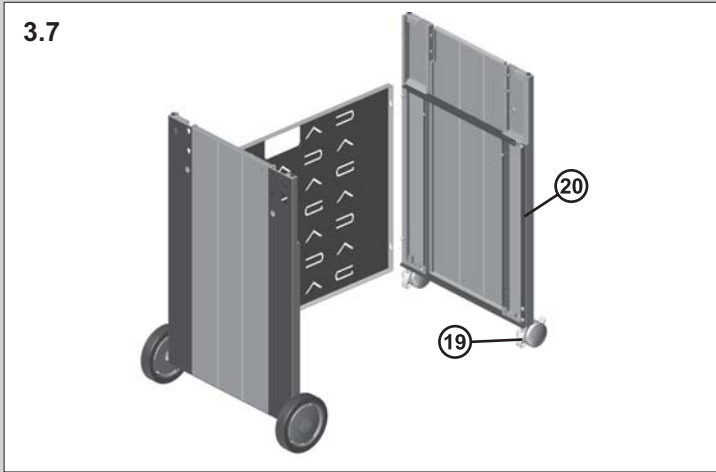
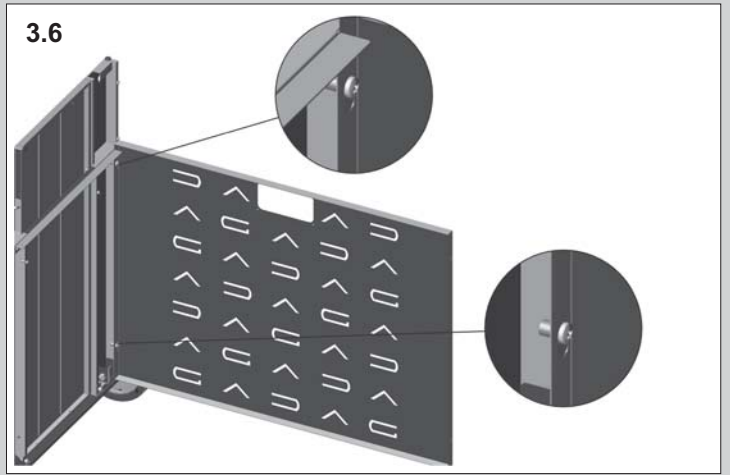
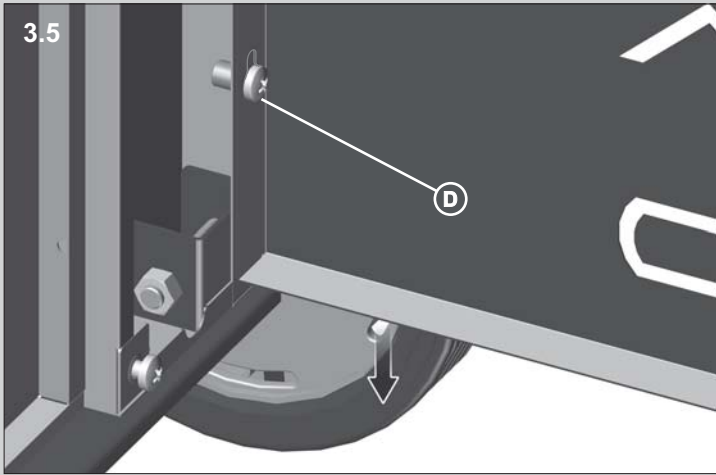


3.3



3.4





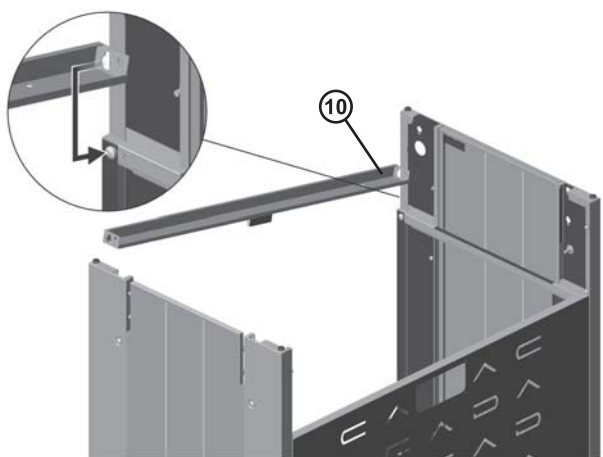
3.13



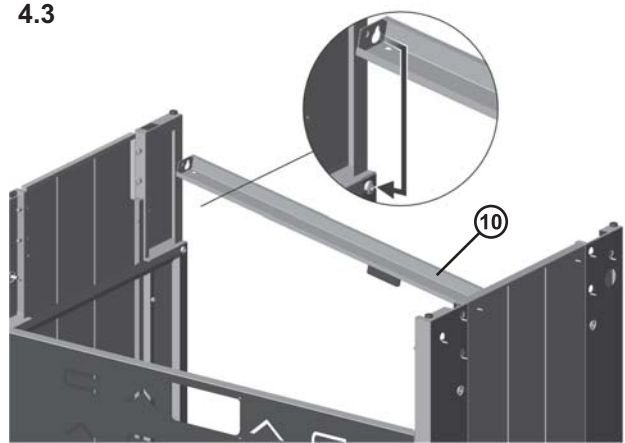
4.1



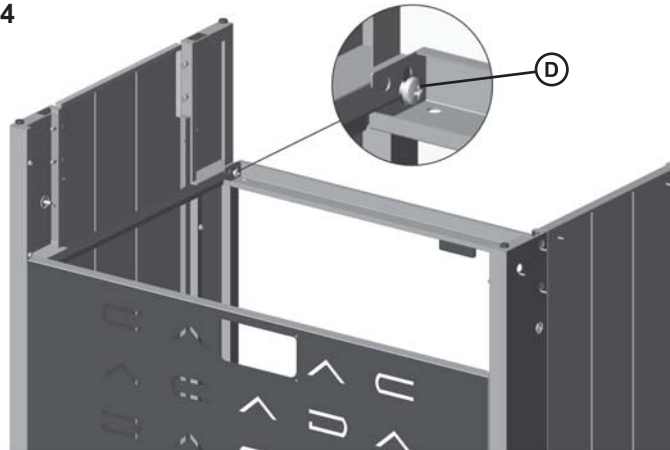
4.2



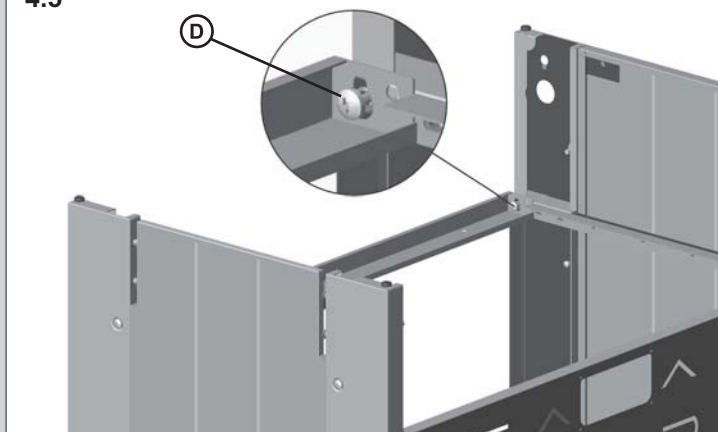
4.3



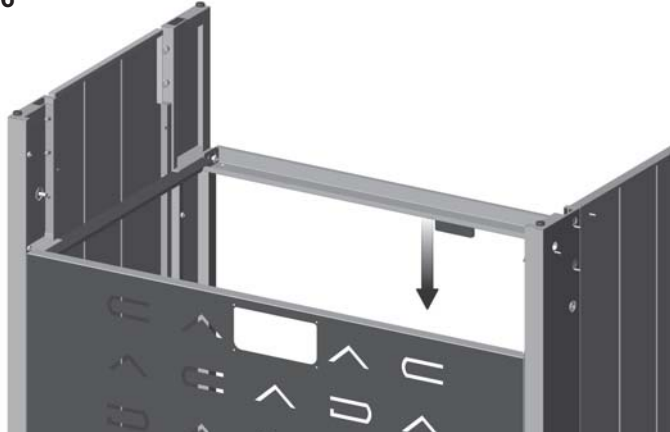
4.4



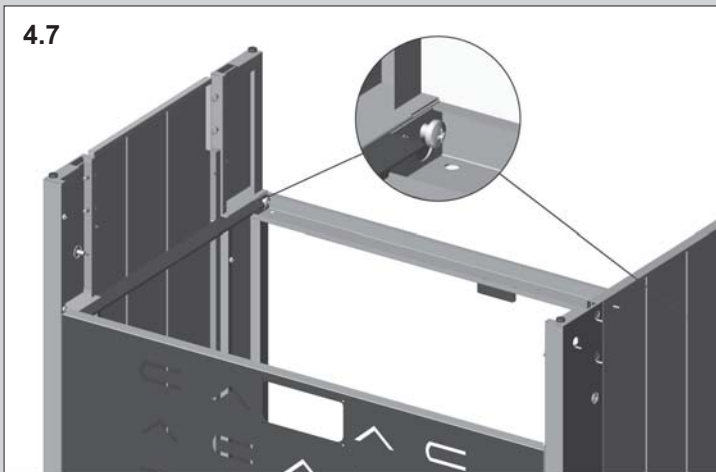
4.5



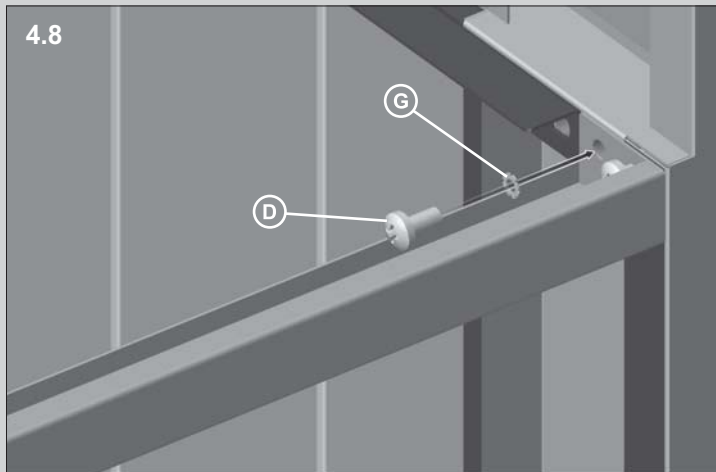
4.6



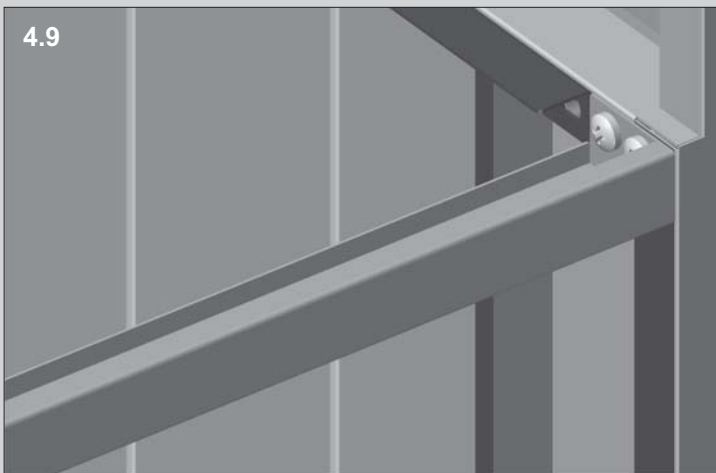
4.7



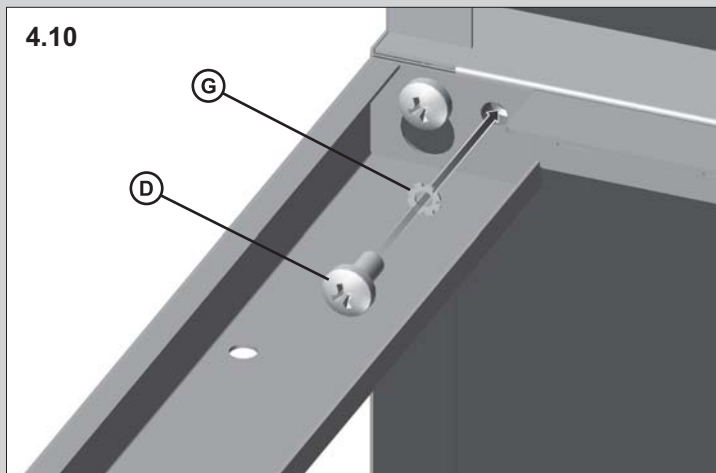
4.8



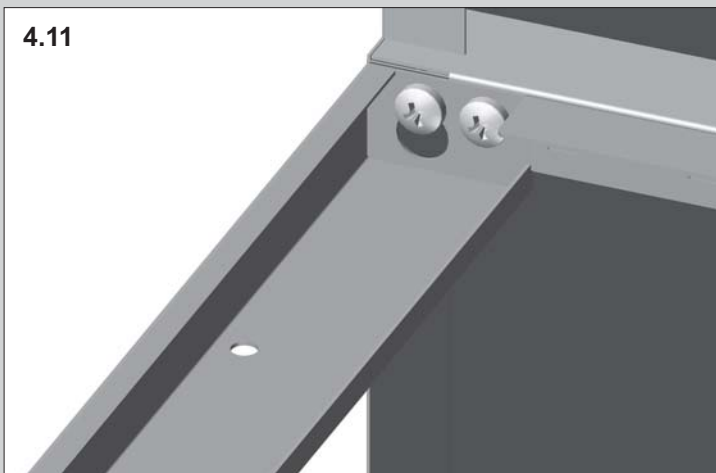
4.9



4.10



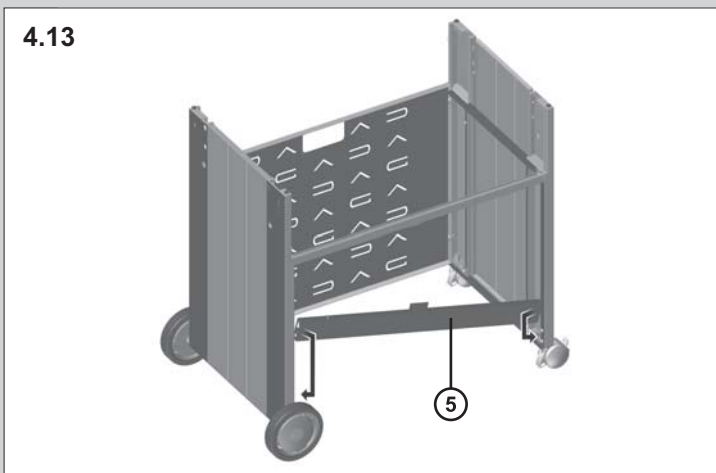
4.11



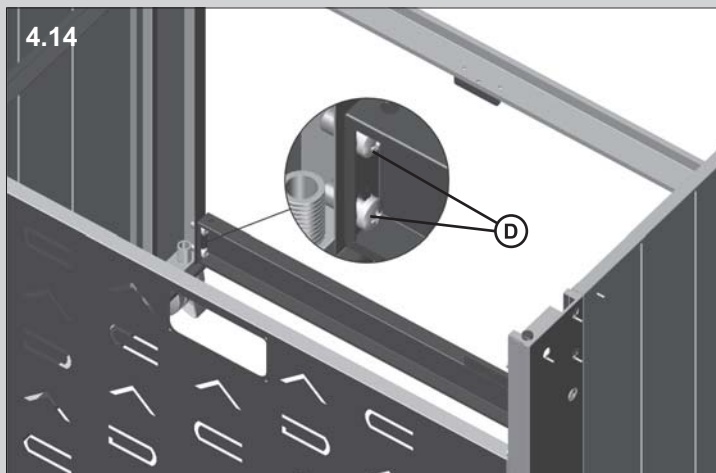
4.12



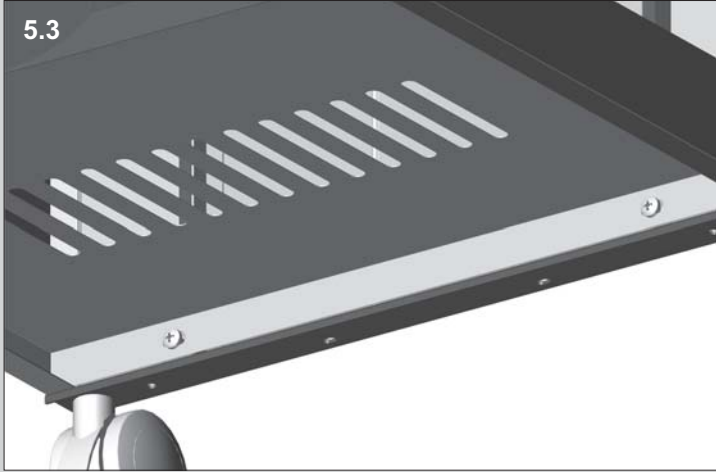
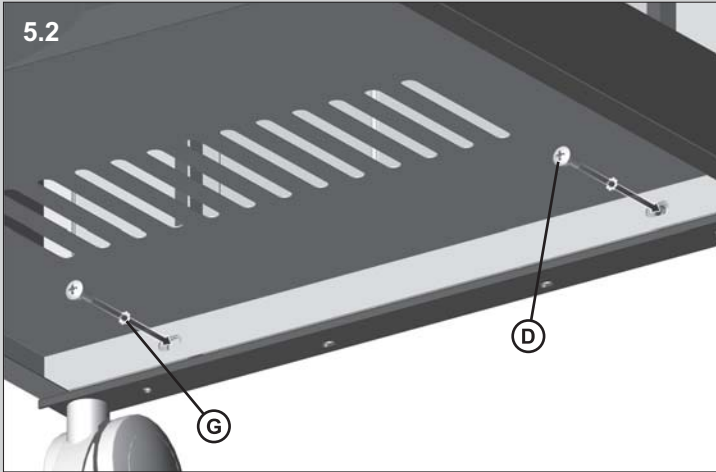
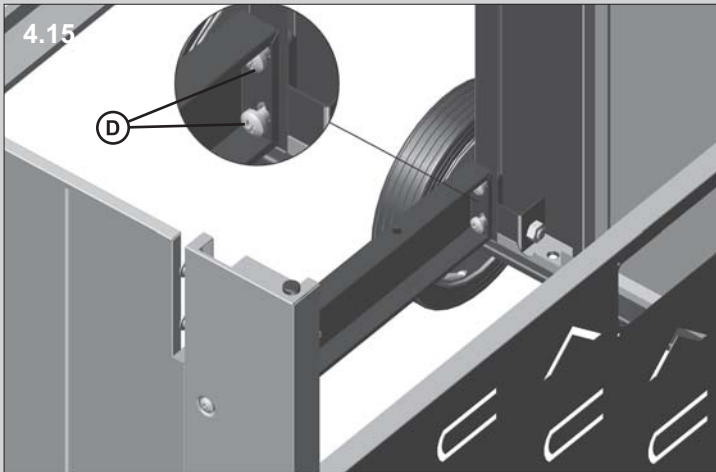
4.13



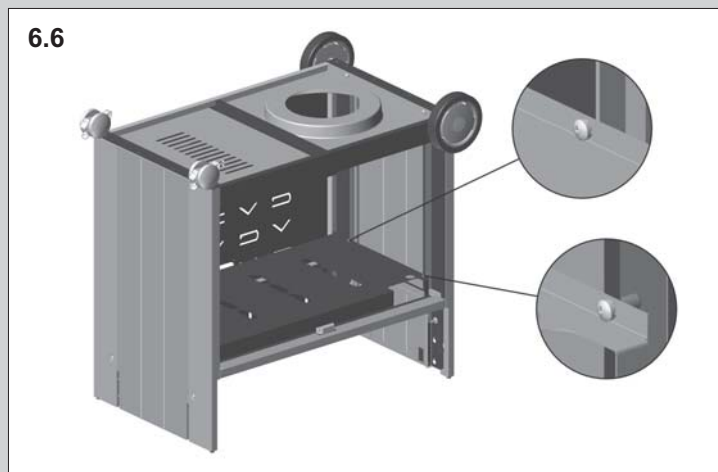
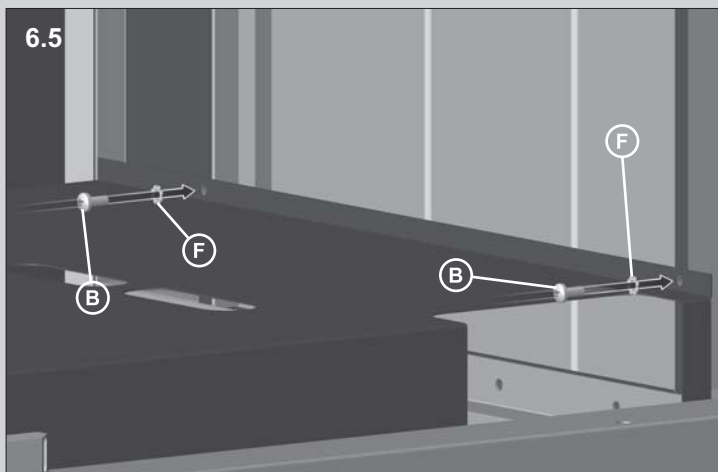
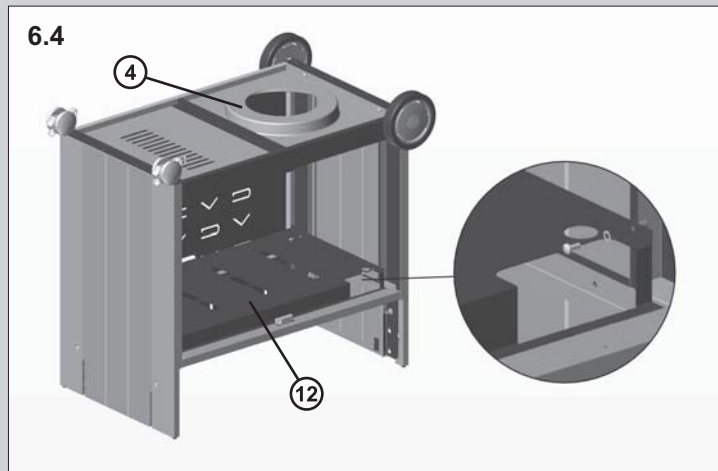
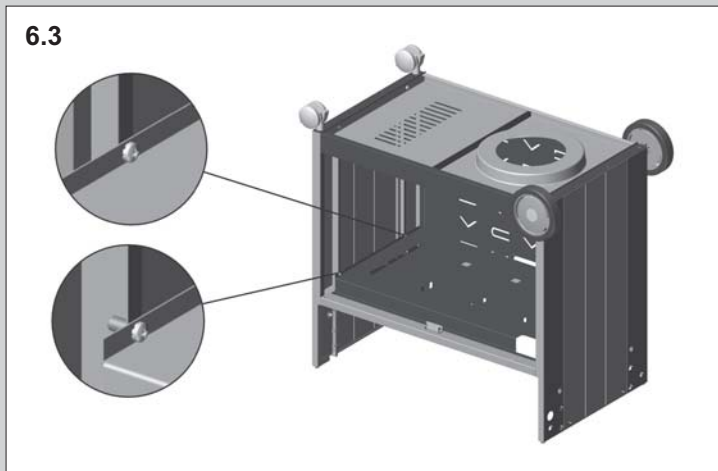
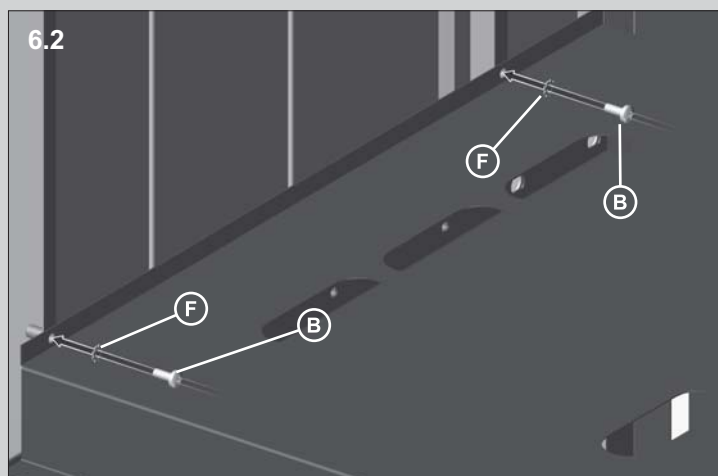
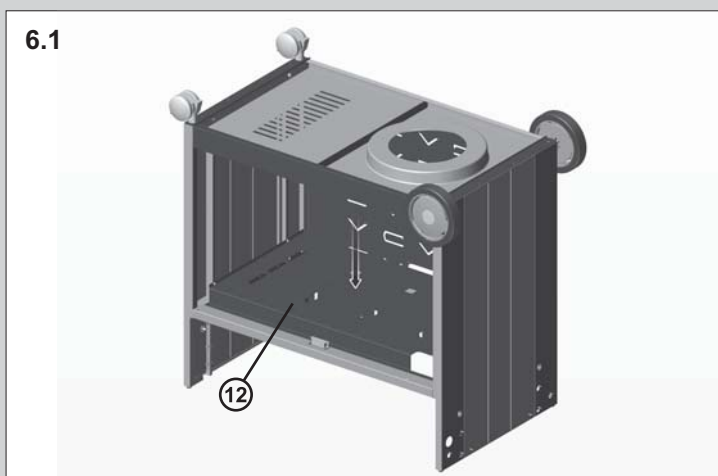
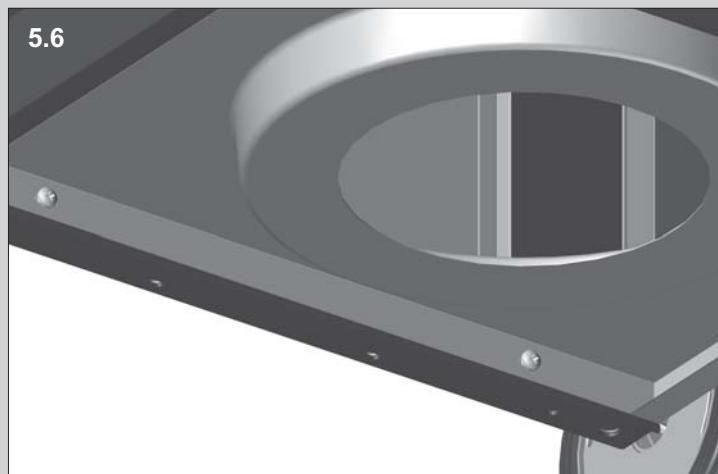
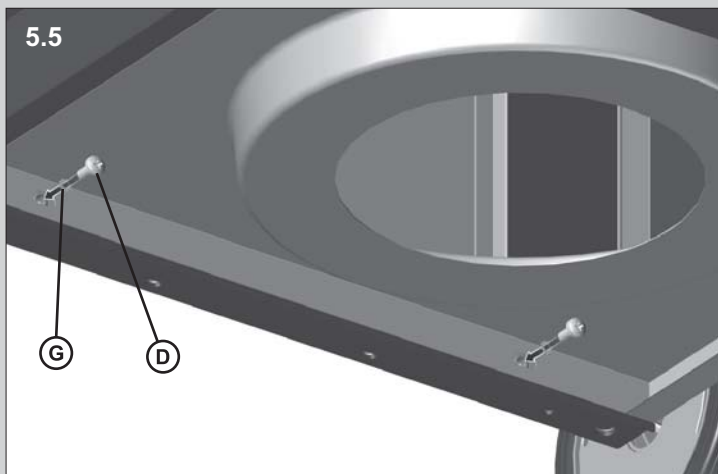
4.14











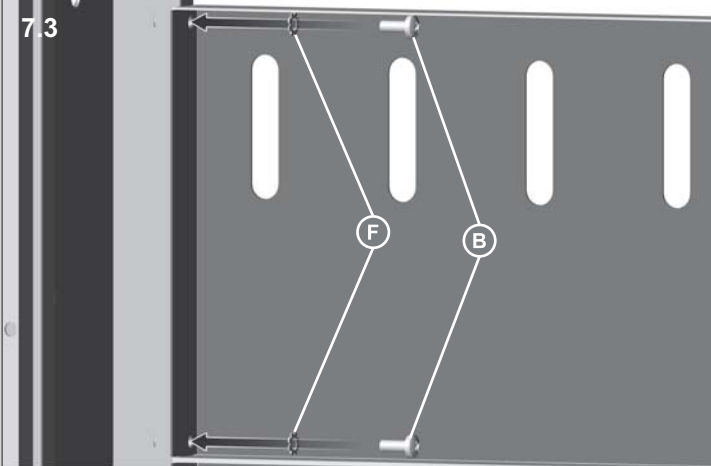
7.1



7.2



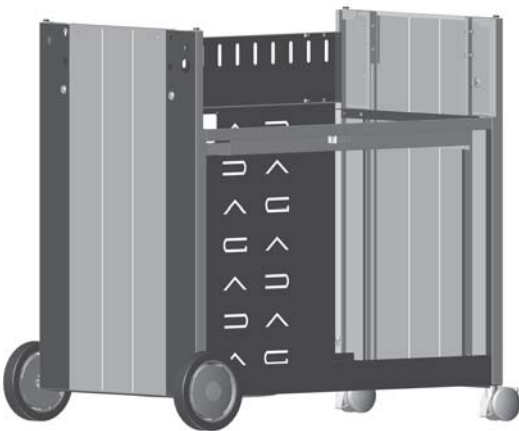
7.3



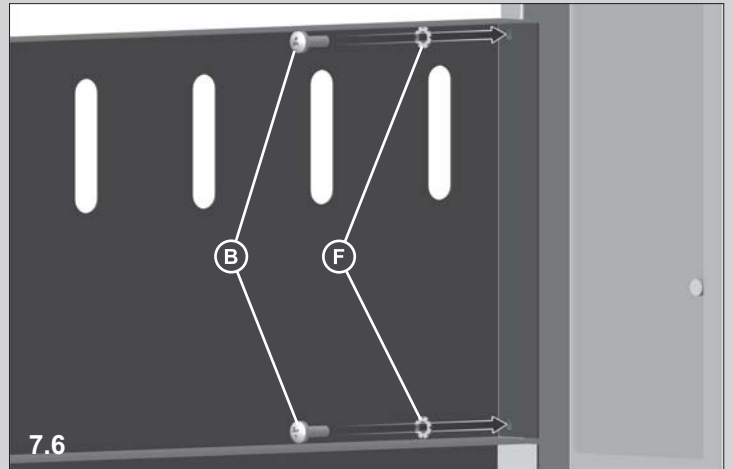
7.4



7.5



7.6



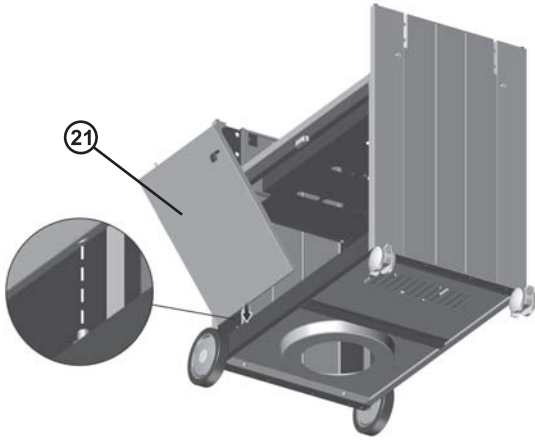
7.7



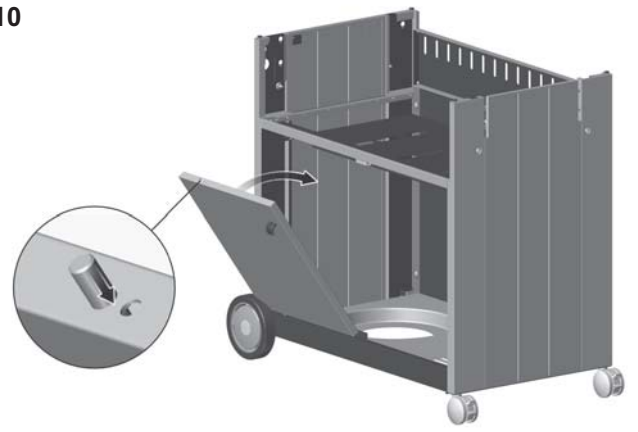
7.8



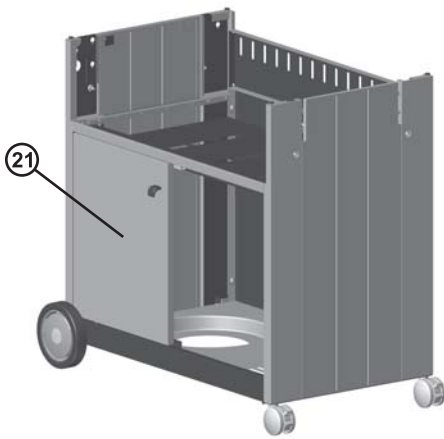
7.9



7.10



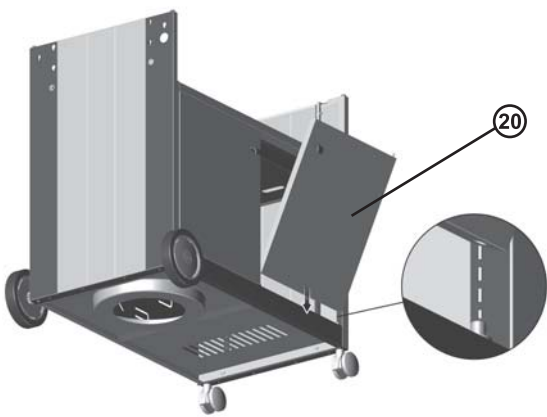
7.11



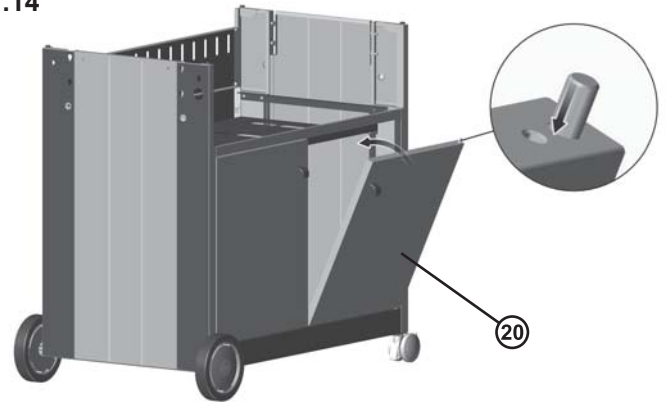
7.12



7.13



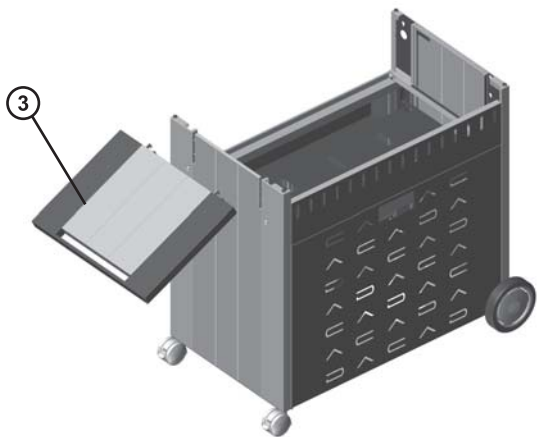
7.14



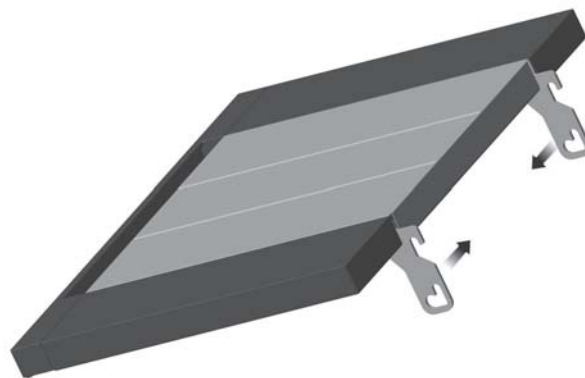
7.15



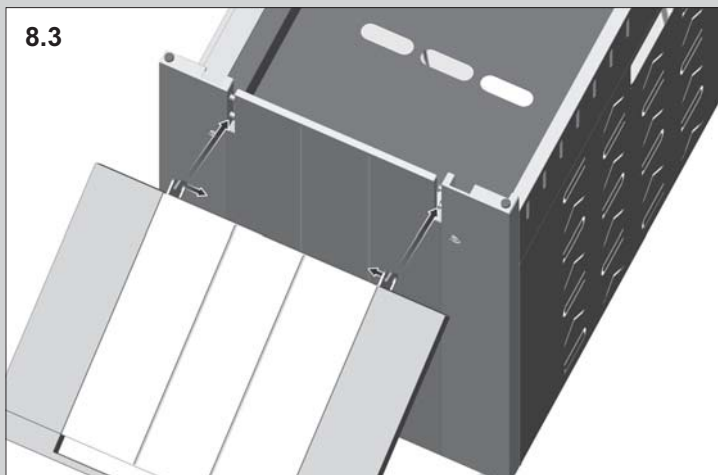
8.1



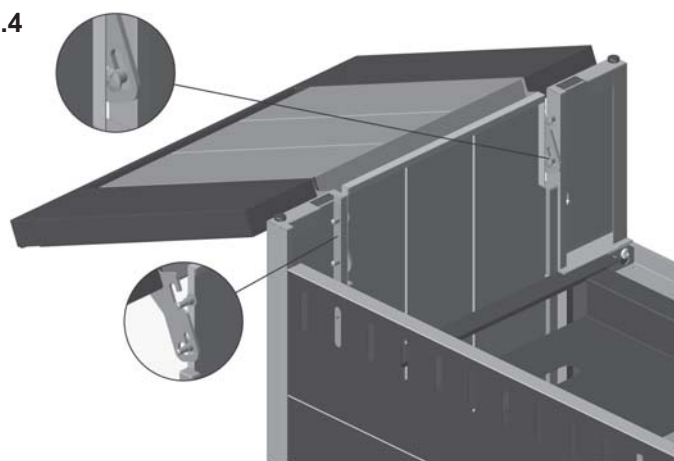
8.2



8.3



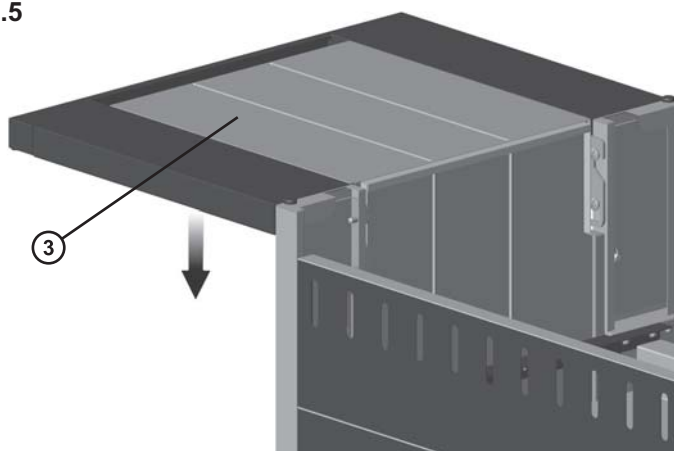
8.4



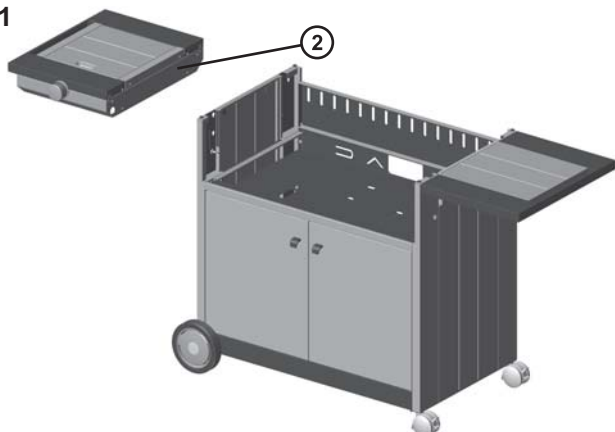
8.5



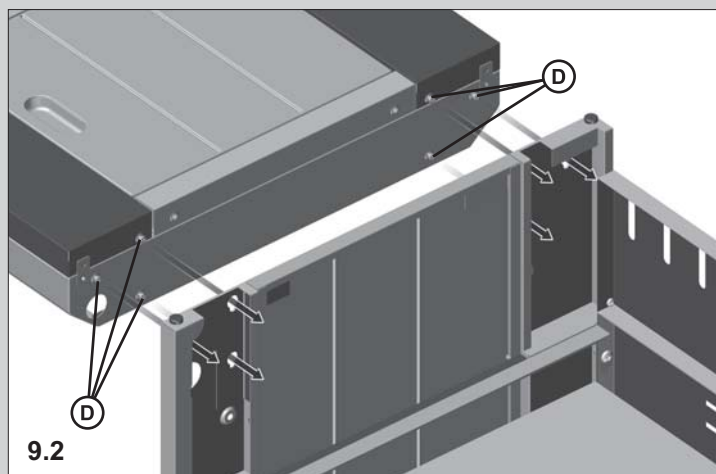
8.5

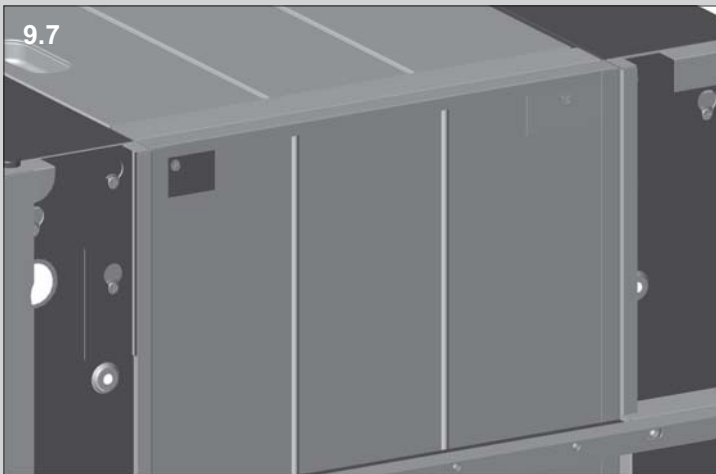
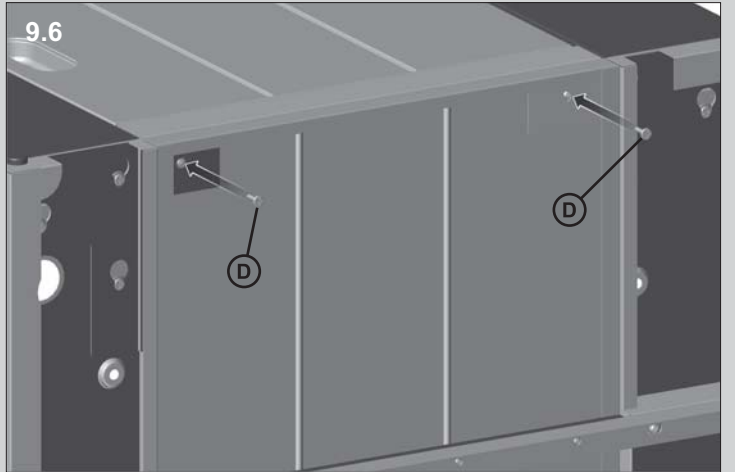
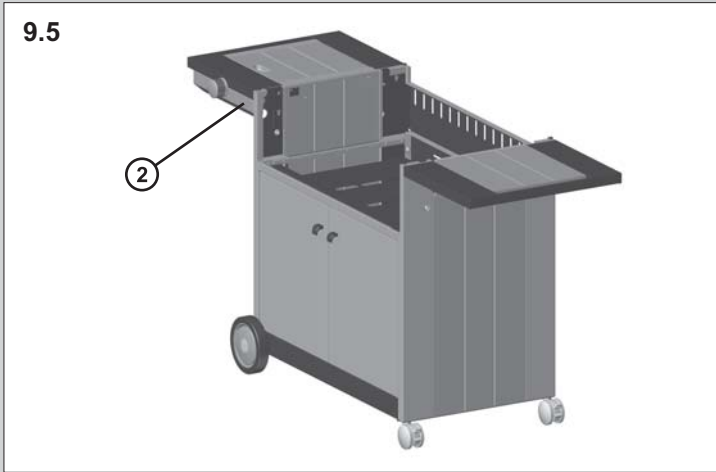
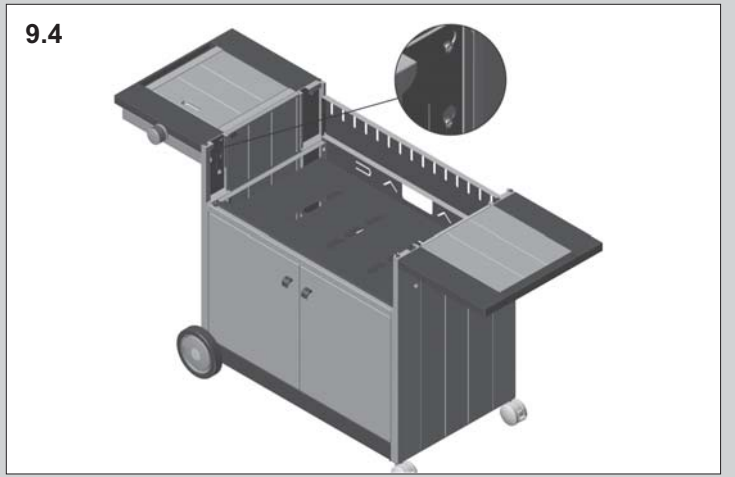
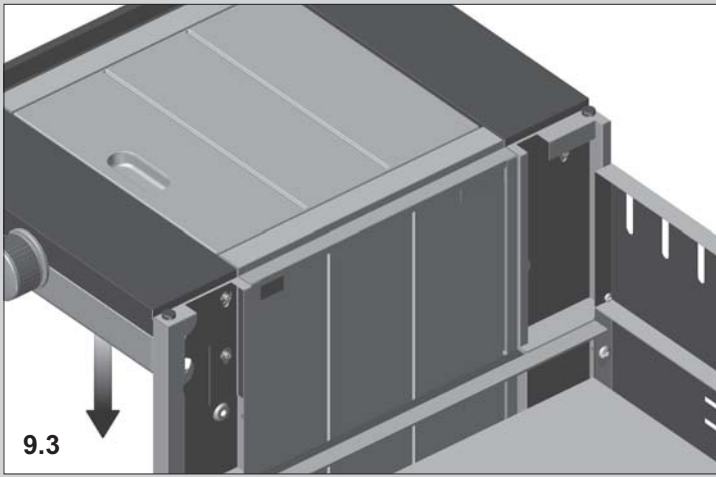


9.1



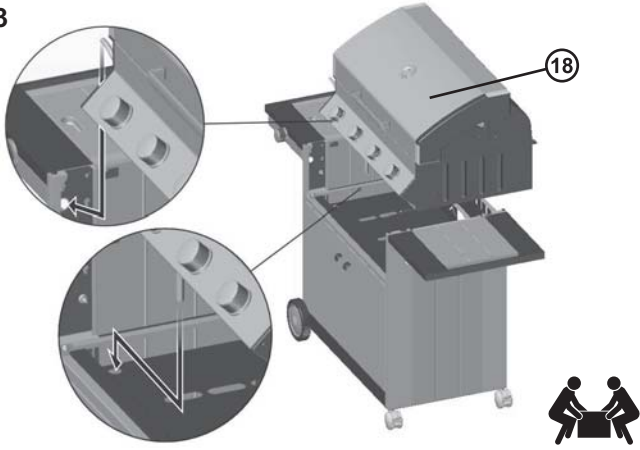
9.2







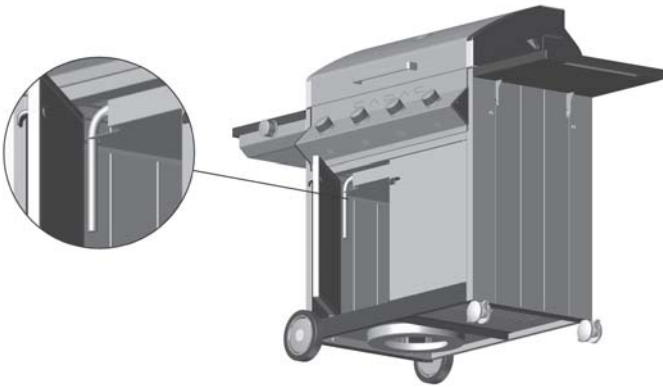
10.3



10.4



10.5



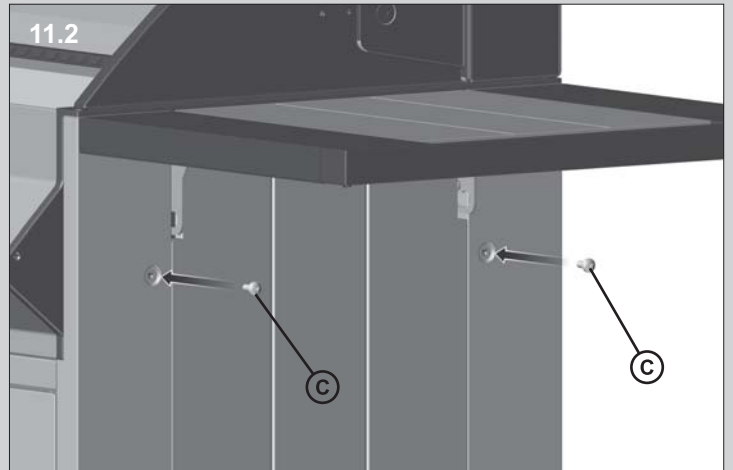
10.6



11.1



11.2



11.3

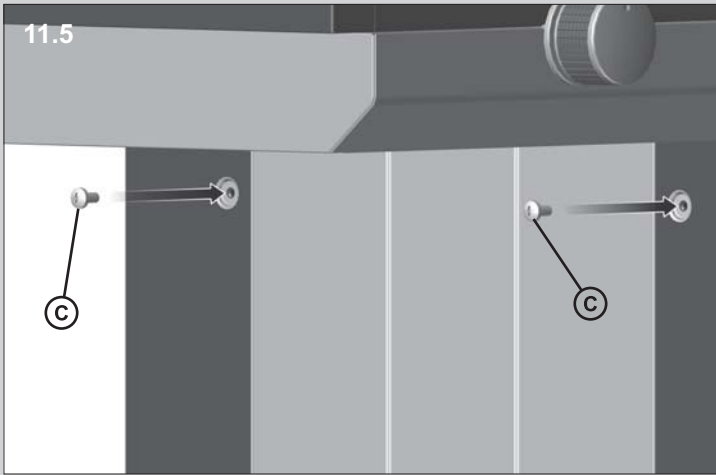


11.4

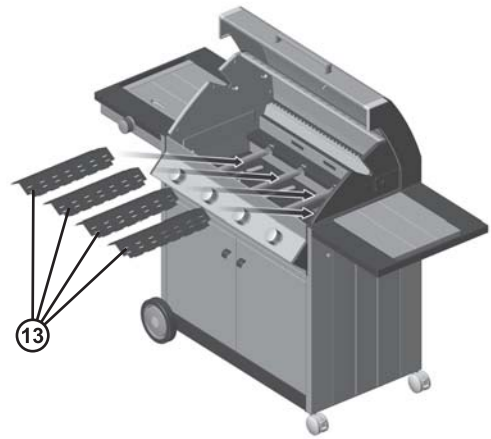




11.5



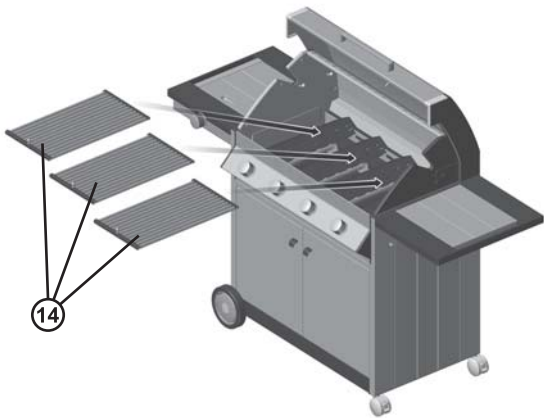
11.6



11.7



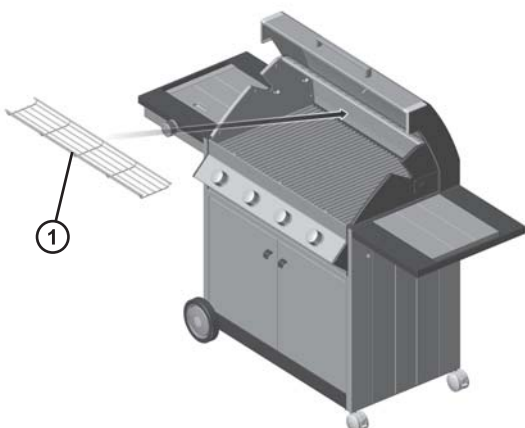
12.1



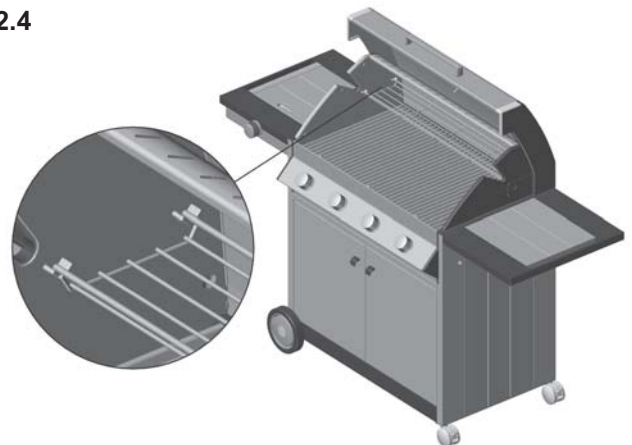
12.2



12.3



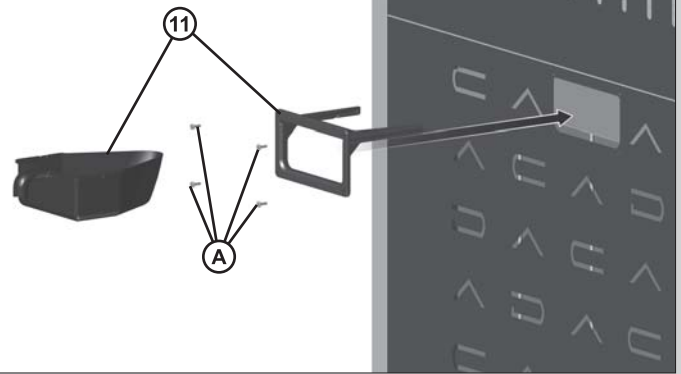
12.4



13.1



13.2



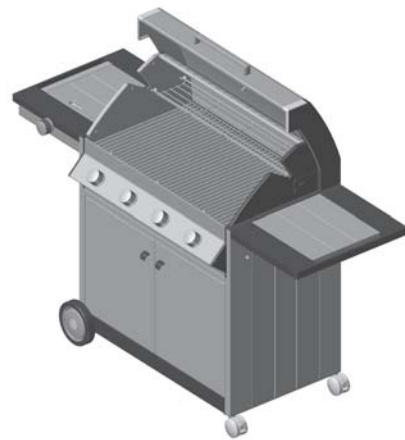
13.3



13.4



13.5



**Distribuidor oficial para España:**

**The Barbecue Store**  
**Avda. Carmen Saenz de Tejada, 1**  
**29650 Mijas Costa (Málaga)**  
**Teléfono: 952477152 - 952477161**  
**Fax.: 952580781**  
**Email: dmbrico2@telefonica.net**  
**http://www.thebarbecuestore.es**