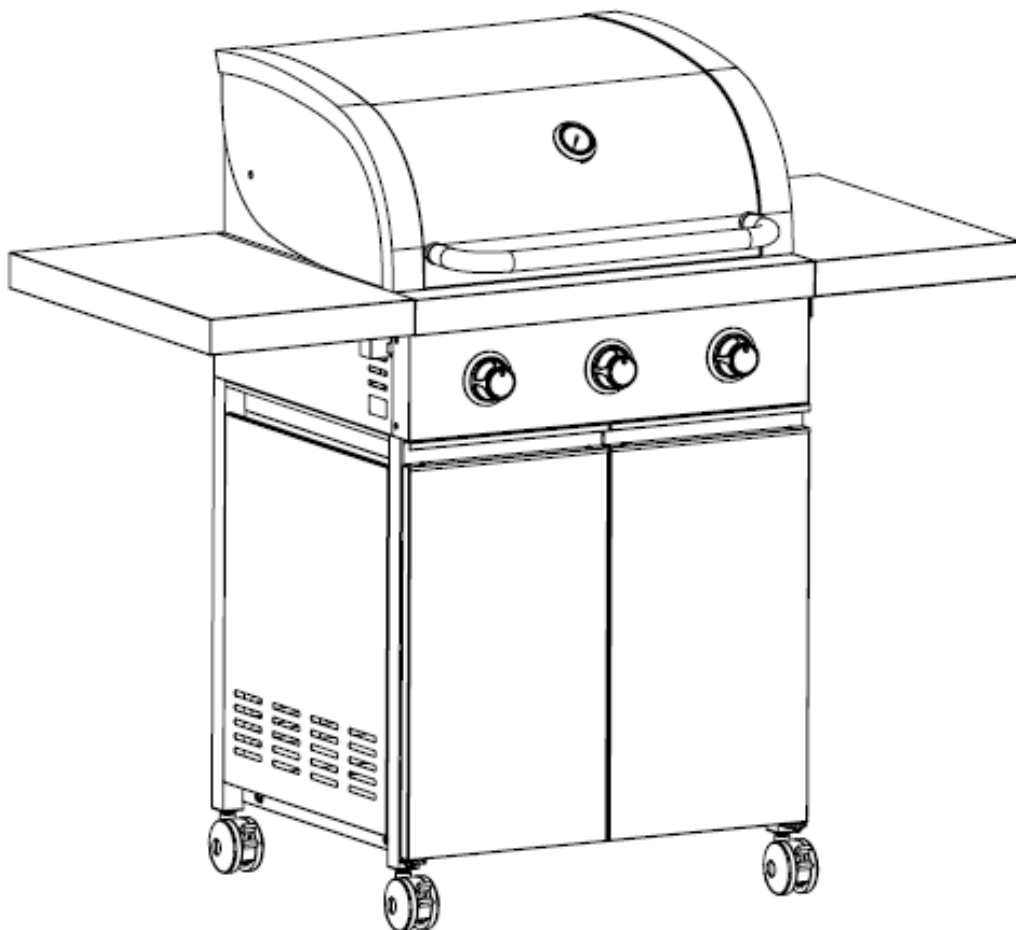




OUTDOOR GAS GRILL USE AND CARE MANUAL

Bronzgrill 1



SAVE THESE INSTRUCTIONS FOR
FUTURE REFERENCE

THIS GAS GRILL IS
DESIGNED FOR OUTDOOR

**IMPORTANT: READ ALL INSTRUCTIONS AND OPERATIONS BEFORE OPERATING THIS UNIT.
FOLLOW ALL STEPS IN ORDER. NEVER ALLOW CHILDREN TO OPERATE THIS UNIT.**

Warnings:

Only to be used outdoors.

Read the instructions before using the appliance.

Accessible parts may be very hot, keep young children away.

Do not move the appliance during use.

Turn off the gas supply at the gas container after use.

Any modification of the appliance may be dangerous.

Parts sealed by the manufacturer or his agent must not be altered by the user.

If the ground temperature is above 50k, the surface needs protection.

Attention:

Some parts of this appliance become very hot, take special care when children or elderly are present.

For your safety:

Do not store or use gasoline or mentholated fuels or any other flammable vapors and liquids in the vicinity of this or any other appliance.

Never light a gas grill with gasoline or comparable fluids!

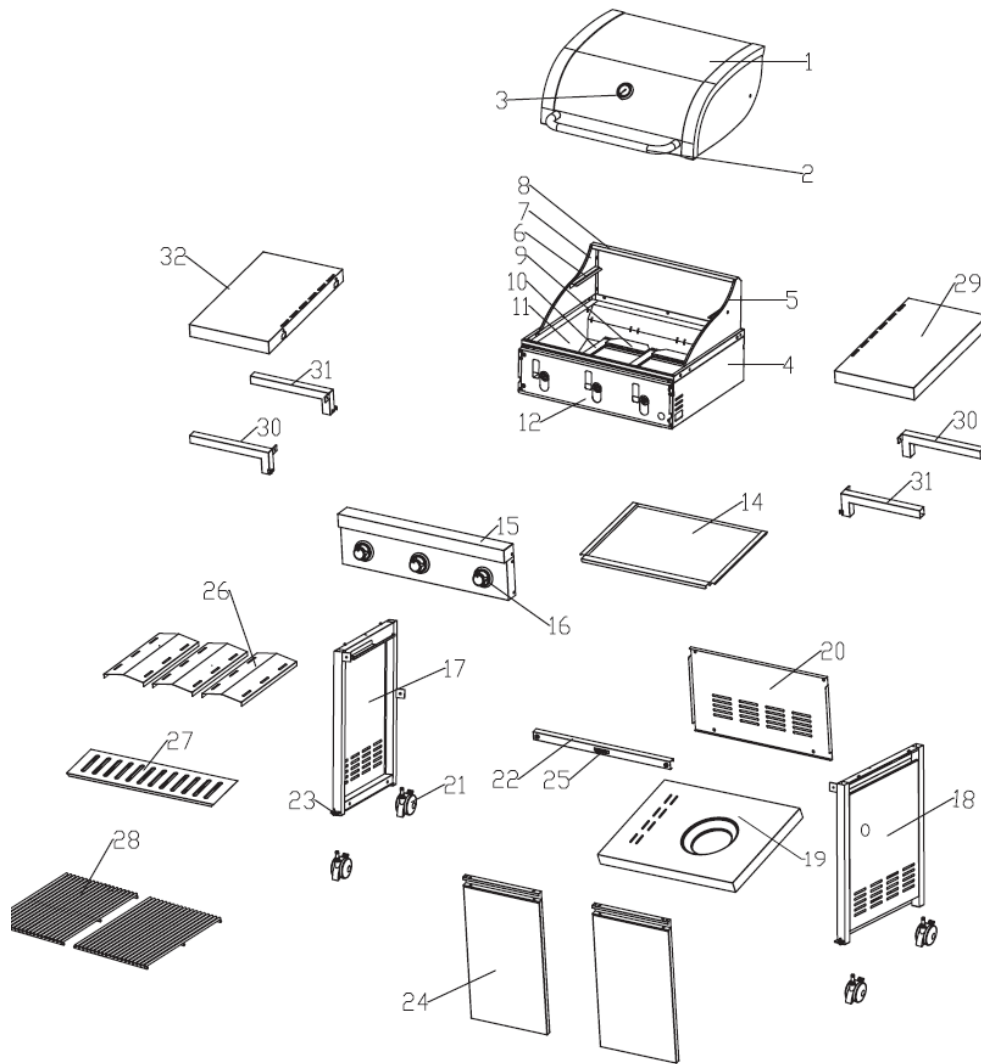
Suggestion: user should not change the assembly that the manufacturer packaged.

The gas cylinder is recommend to 13kg LPG gas bottle, it is sufficient for a heating period of approx.9.5 hours with full power.

1. Technical data

Gas Category	I_{3+} (28-30/37) <input type="checkbox"/>		$I_{3B/P}$ (30) <input type="checkbox"/>	$I_{3B/P}$ (50) <input type="checkbox"/>
Gas and Supply Pressure	Butane(G30)	Propane(G31)	Butane/Propane	
	28-30 mbar	37 mbar	29 mbar	50 mbar
Country of Destination	I_{3+} (28-30/37): BE,CH,CY,CZ,ES,FR,GB,GR,IE,IT,LT,LU,LV,PT,SK,SI. $I_{3B/P}$ (30): BE,CY,DK,EE,FI,HU,LT,NL,NO,SE,SI,SK,RO,HR,TR,BG,LU,MT. $I_{3B/P}$ (50): AT,CH,DE,SK			
Main Burner Injector Size	Ø 0.9 mm		Ø 0.9 mm	Ø 0.8mm
Total Nominal Heat Inputs (Hs)	10.5kW/765 (g/h)			
Serial Number				
Use Outdoors Only .				
Read the instructions before using the appliance.				
Warning : Accessible parts may be very hot. Keep young children away.				

2. Exploded View

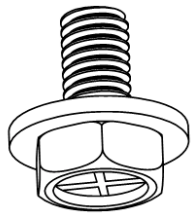
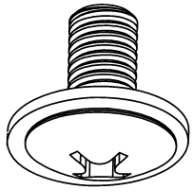


3. Single part list

seq. NO.	appellation	Qty	seq. NO.	appellation	Qty
1	lid	1	2	lid handle	1
3	thermometer	1	4	firebox right panel	1
5	shutter right panel	1	6	warming rack bracket	2
7	shutter left panel	1	8	shutter cover board	1
9	Crossover bracket assembly	4	10	main burner tube assembly	5
11	firebox left panel	1	12	inner control panel	1
			14	grease tray	1
15	control panel assembly	1	16	control knob	3
17	cart left panel assembly	1	18	cart right panel assembly	1
19	cart bottom panel	1	20	cart back panel	1
21	wheel	4	22	cart beam	1
23	door bottom gemel	2	24	door assembly	2
25	door magnet	1	26	heat distribution panel	3
27	warming rack	1	28	cooking grids	2
29	right side table	1	30	side table bracket 1	2

31	side table bracket 2	2	32	Side burner layer	1
----	----------------------	---	----	-------------------	---

4. Fixing elements

B	C
	
M6X12 hexage screw Plastic washer	M6X12 screw aluminum washer
10 set	4 set

5. Mounting steps

Make sure your grill is assembled properly. Detailed assembly instructions are packed with each grill giving specific assembly procedures for each model. Follow these instructions carefully to ensure the correct and safe assembly of the grill.

Caution: Although we take every effort to ensure that the assembly process is as easy as possible, it is inherent with fabricated steel parts that corners and edged can cause cuts if improperly handled during assembly procedures. Be careful while handling any parts during assembly. It is strongly recommended that you protect hands with a pair of work gloves.

STEP 1

Use two B screws to connect the cart left side panel and cart bottom panel. (See figure 1 for reference)

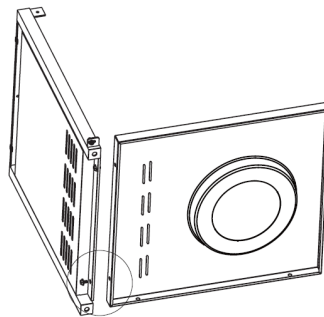


Figure 1

STEP 2

Use two B screws to connect the cart right side panel and cart bottom panel. (See figure 2 for reference)

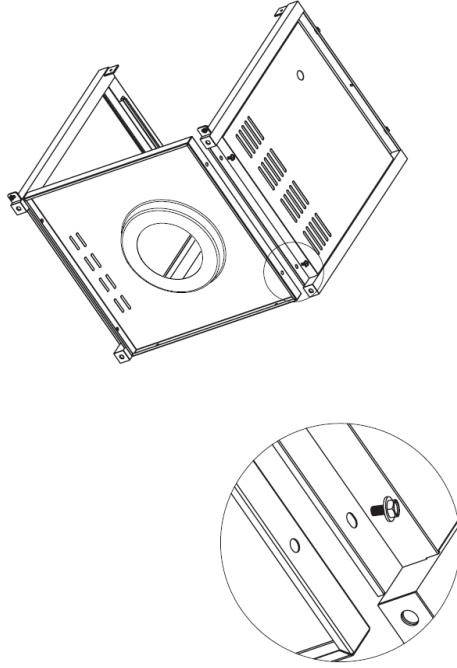


Figure 2

STEP 3

Use four B screws to connect the cart back panel and cart assy. (See figure 3 for reference)

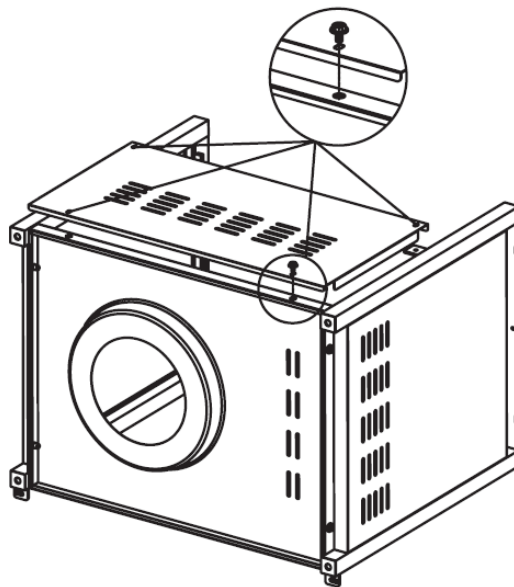


Figure 3

STEP 4

Fix four wheels on the pipes of the cart assy. (See figure 4 for reference)

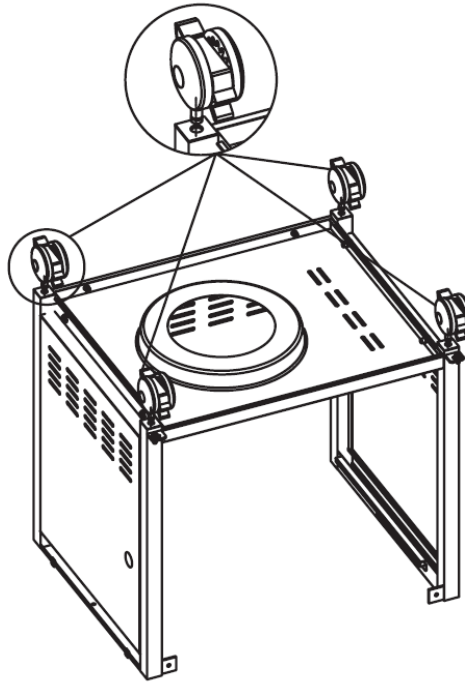


Figure 4

STEP 5

Use two B screws to fix the door beam on the cart assy. (See figure 5 for reference)

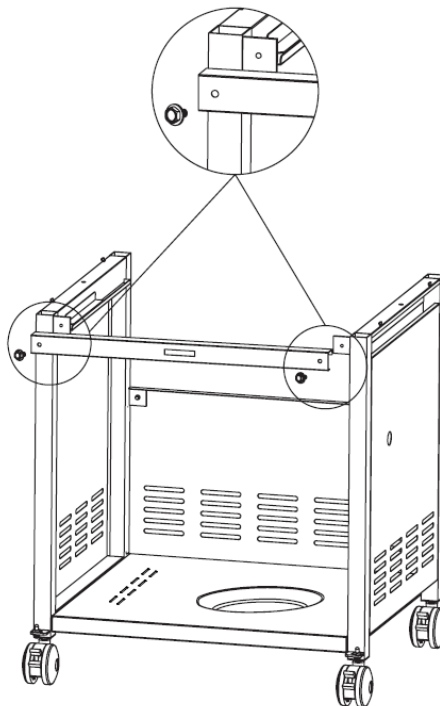


Figure 5

STEP 6

Utilize the wedges to put the front hood assy on the cart assy. (See figure 6 for reference)

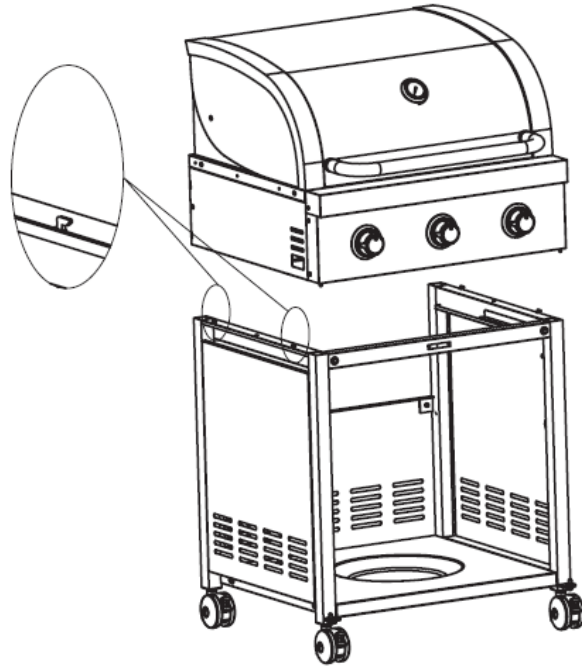


Figure 6

STEP 7

Put the grease tray into the brace. (See figure 7 for reference)

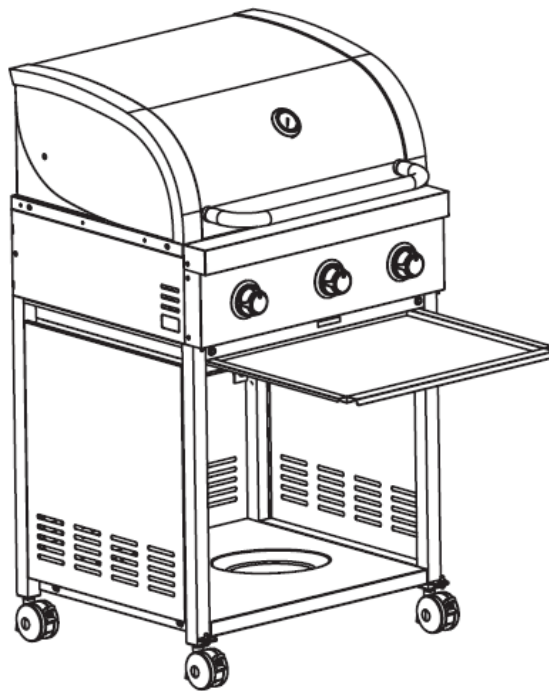


Figure 7

STEP 8

Assemble two doors on the cart assy. Pls note the spring hinges under the control panel , first hold down the spring hinge, then push it into the hole of door. (See figure 8 for reference)

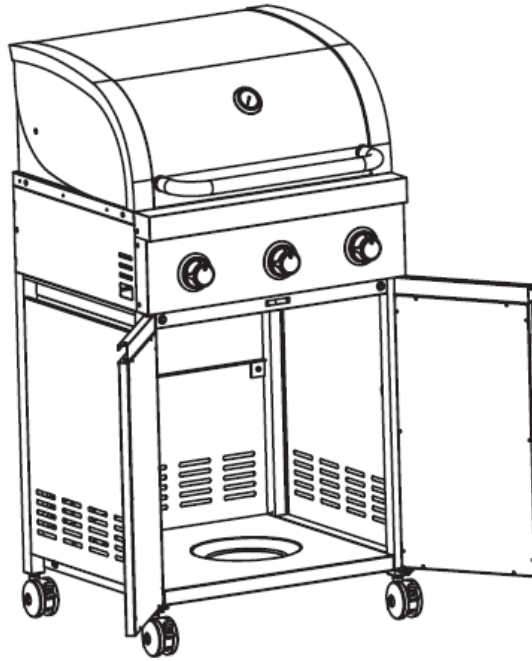


Figure 8

STEP 9

Put two pipes into the right side table . (See figure 9 for reference)

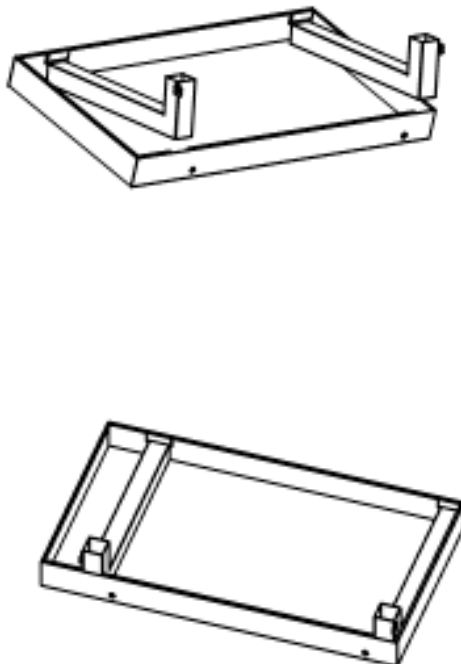


Figure 9

STEP 10

Utilize the wedges to assemble the right side table assy on the firebox assy. (See figure 10 for reference)

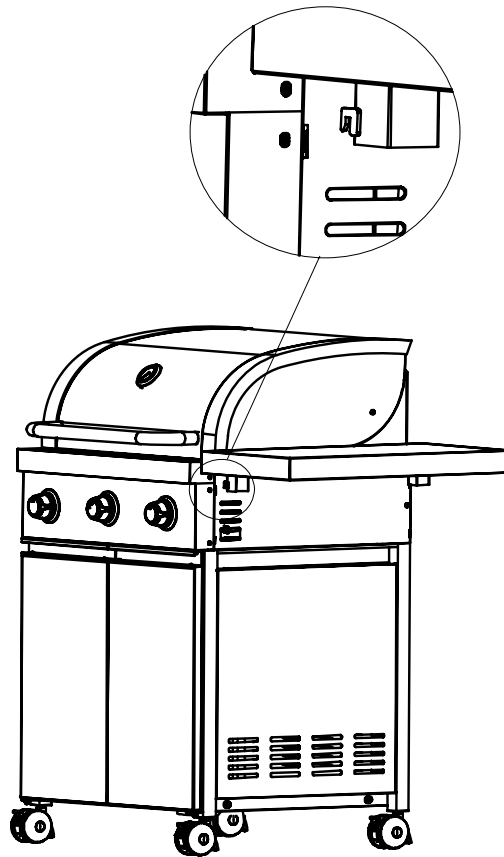


Figure 10

STEP 11

Use two C screws to fix the side table with the firebox firmly. (See figure 11 for reference)

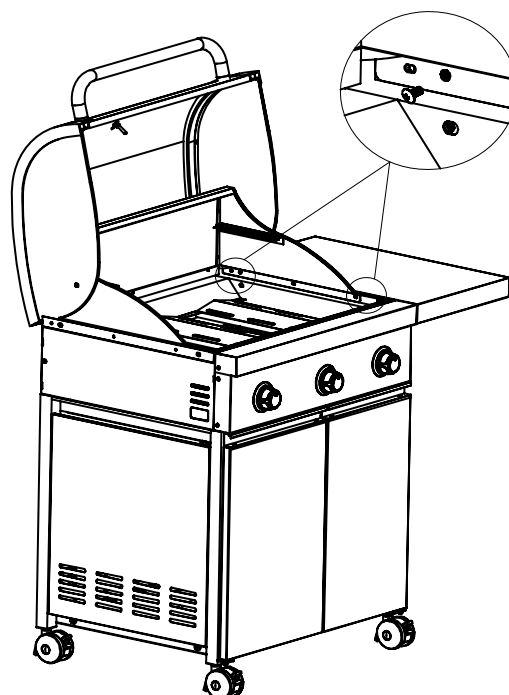


Figure 11

STEP 12

Put two pipes into the left side burner. (See figure 12 for reference)

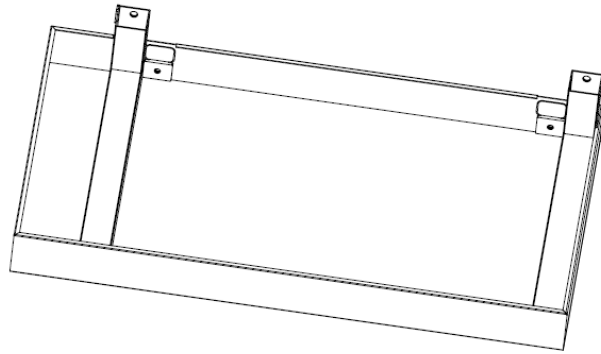


Figure 12

STEP 13

Utilize the wedges to assemble the left side burner assembly on the firebox assembly. (See figure 13 for reference)

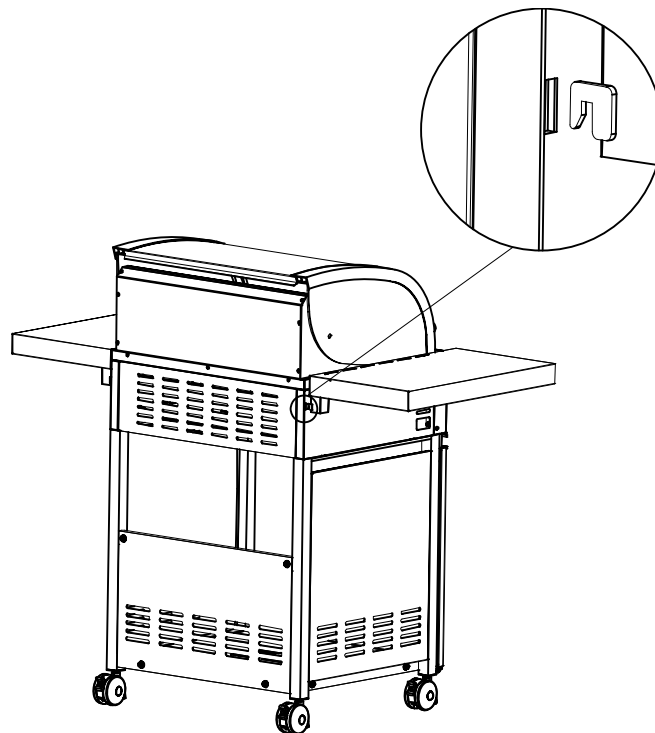


Figure 13

STEP 14

Use two C screws to fix the side burner with the firebox firmly. (See figure 14 for reference)

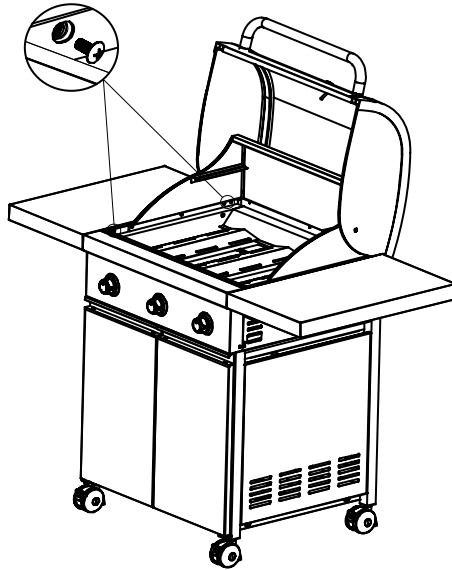


Figure 14

STEP 15

Use two A screws to fix the nozzle of side burner on the side burner insert tray bracket. Remember the nozzle should aim at the gas inner hole. (See figure 15 for reference)

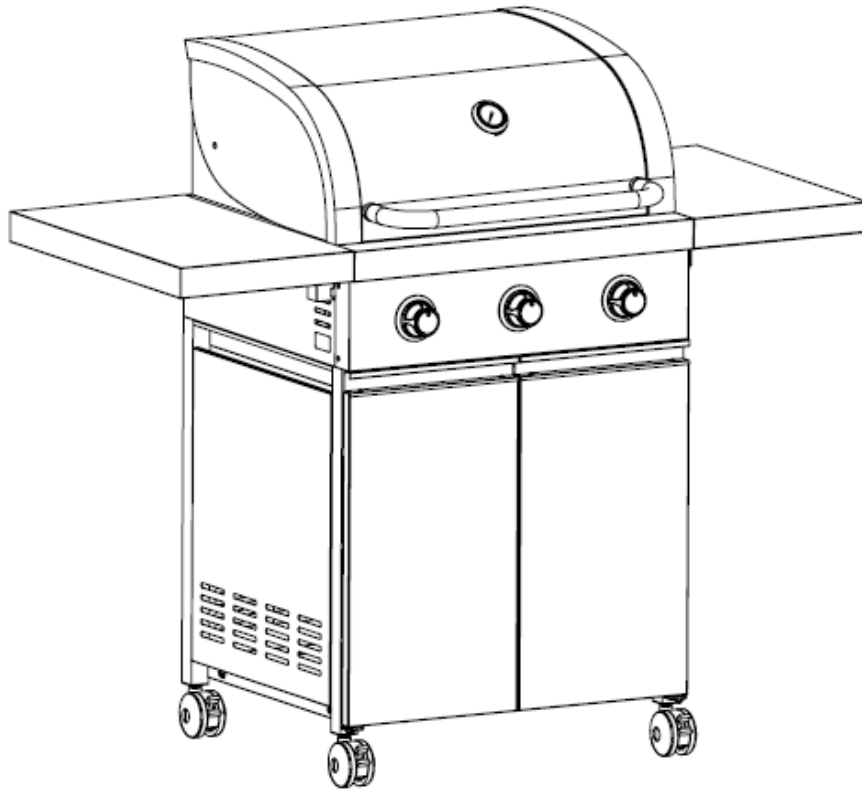


Figure 16

6. Preparation

You will need to purchase a 13kg LPG gas bottle and the pressure regulator should correspond to the pressure and gas category of the appliance which can be obtained from your nearest Gas Retailer. The regulator should comply with EN12864 with current version and national regulation.

You will need to purchase a gas bottle and a 28-30 mbar regulator to operate this gas grill which can be obtained from your nearest Gas Retailer.

See point 9 for further instructions.

Energy saving tips:

- a) Reduce the opening time of the lid.
- b) Turn the grill off as soon as cooking is completed.
- c) Preheat the gas grill for 10 to 15 minutes only.
(Except for the first use)
- d) Do not preheat longer than recommended.
- e) Do not use a higher setting than required.

Connect the hose and regulator to the gas container at the right side of the gas grill. Keeping in mind that the gas container must be kept away from heat and in a safe position. The hose dimension is 8mm diameter.

7. Installation

After purchasing your gas bottle you will then be ready to set it up with your gas grill.

- a) **When changing the gas bottle which shall be carried out away from any source of ignition.** Position the gas bottle at the side of your gas grill, not underneath, keeping in mind that the bottle must be kept away from heat and in a safe position.
- b) When ready to use your gas grill insert the regulator into the gas bottle valve and tighten firmly. **The maximum length of hose shall not exceed 1.5m.**



Warning: Before attempting to light your gas grill you must refer to your lighting instructions and warning / safety points.

Check the hose before each use, searching for cracking, cuts or any abrasions. If the hose is found to be faulty in any way do not attempt to use your gas grill.

When changing your gas bottle ensure that there are no sources of ignition close by i.e. fires, cigarettes, naked flames etc. Make sure that the appliance is switched off.

Ensure that the hose is not subjected to twisting which will affect the gas flow when using your gas grill. Also the hose must not have undue tension and must not touch any part of the gas grill which may be hot.

Please choose flexible hose whose heatproof higher than 80°C

Every 2 years changing the flexible hose when the national conditions require it.

How to connect a gas bottle

- a) Turn the orange cap so that the arrow is pointing to the gap in the shroud.
- b) Remove the orange safety cap by pulling the lanyard out, then out. Do not use tools. Leave the cap hanging.
- c) Check that the black sealing washer is fitted inside the cylinder valve. Place the regulator down over the valve with switch.
- d) Turn the switch clockwise on gas bottle-then turn on the gas grill as instructed.



Figure 17



Warning: Always test gas line for leaks at connector with soap water finishing all connections.

How to disconnect a gas bottle

- a) Except for twin-cylinder installations with a changeover valve, turn off the gas tap if fitted to the appliance. Wait until the burner and pilot light have gone out. For installations with a changeover valve, it is only necessary to switch off the empty cylinder.
- b) Replace the orange safety cap onto the empty cylinder.

8. Warning and safety points

Please read the following points before using your gas grill:

- a) **Read the instructions before using the appliance.** Please follow all assembly instructions in this manual; if instructions are not followed it may cause problems in use.
- b) This gas grill accessible **parts maybe very hot when being used. Keep young children away.** Use protective when handling particularly hot components.
- c) In the event of a gas leak shut off gas to the gas grill, extinguish any open flames, open lid and if leak continues check for damages, poor connections etc. Contact your local gas dealer immediately if the problem can't be solved.
- d) **Do not move Gas grill during use.**
- e) Do not use or store any flammable liquids or vapors in the vicinity when operating the gas grill.
- f) This gas grill only **to be used outdoors.**
- g) Do not use a naked flame to check for gas leaks.

- h) Do not operate gas grill if there is a gas leak. Turn off the gas supply.
- i) Do not attempt to disconnect any gas fitting part if your gas grill is being used, on the gas grill or the gas regulator / bottle.
- j) Care is advised when operating your gas grill, you should never leave unattended when in use. Turn off the gas supply at the gas container after use.
- k) The gas grill should be cleaned on a regular basis.
Take care not to enlarge burner ports or orifice/nozzle openings when cleaning the burner or valves.
- l) Do not attempt to use this appliance in a garage or any enclosed area. Also **this appliance must be kept away from flammable materials**, etc. We recommend keeping a distance of at least 0.5 to 1.0 meter clear of any flammable materials.
- m) We would recommend that this gas grill be serviced by your local gas retail outlet at least once a year by a competent engineer. Do not attempt to service this appliance yourself.
- n) **Any modification of the appliance may be dangerous.** Do not attempt any unauthorized interference of the main controls on this gas grill, i.e. gas taps, injectors, valves etc.



Figure 18



WARNING: The Handle Black Area (See Above Picture for Reference) Will Become Hot When the Gas grill In Use, BE CAREFUL! Do Not Touch The Black Area.

9. Safety precautions

- a) Always test gas line for leaks at connector with soapy water after making connections.
- b) The top lid must always be open when lighting the burner.
- c) Use oven gloves and sturdy, long handled gas grill tools when cooking on the grill.
- d) Be prepared if an accident or fire should occur. Know where the first aid kit and fire extinguishers are and know how to use them.
- e) Keep any electrical supply cord and the fuel supply hose away from any heated surfaces.
- f) Always cook with great care.

10. Lighting instructions

Caution: The lid must be open when lighting the burner!

Do not stand with your face directly over the gas grill when lighting it.

Your gas grill will have following method of ignition:

Pilot Gas Control Ignition:

With all gas controls on the Gas grill in the "OFF" position, turn the gas cylinder valve to the on position at the regulator. To create a spark you must push the control knob in (A) and hold in this position for 3-5 seconds to allow gas flow and then turn anticlockwise to "HIGH"

(B). It can spark to the burner lighting tube (C). You will hear a “snap” from the igniter and you will also see a 3”-5” orange flame coming from the burner lighting tube at the left side of the burner (D).

Continue to hold the burner control knob in for two seconds after the “snap”, this will allow gas to flow completely down the burner tube (E) and insure ignition.

When the burner is alight, adjacent burners will cross light when their controls are turned to “HIGH”

At “High” setting the burner flame should be approximately 12-20mm long with a minimum of orange flame. Turn the gas control fully anticlockwise for minimum setting.

Should you have any difficulty lighting your gas grill following the above steps, contact your dealer for advice.



Warning : If the burner still does not light ,turn the burner control knob to” OFF” and wait 5 minutes to let the gas clear before lighting again.

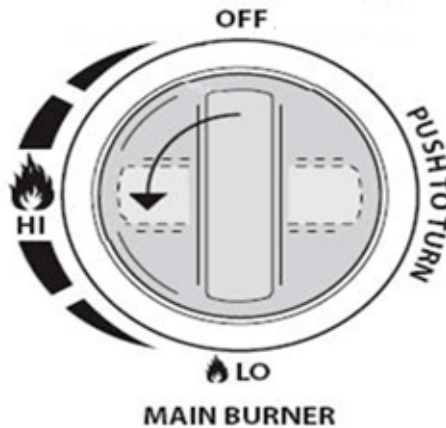
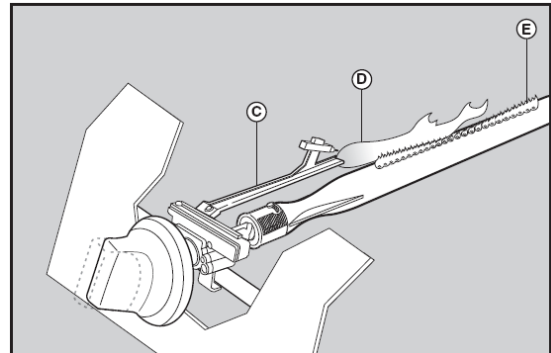
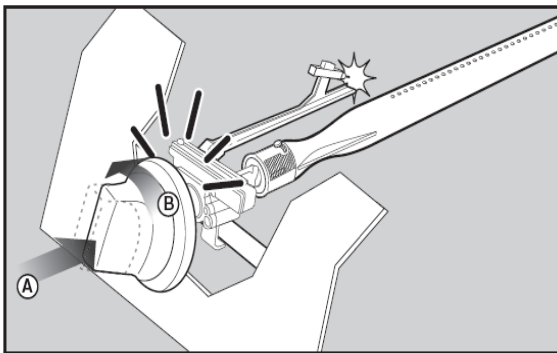


Figure 19

11. Storage

Your Gas Bottle must be stored outdoors in a well ventilated area and must be disconnected from your gas grill when not being used. Ensure that you are outdoors and away from any sources of ignition before attempting to disconnect your gas bottle from your gas grill.

When you are using your gas grill after a period of storage, please ensure to check for gas leaks and check for any obstructions in the burner etc. before using. Also follow the cleaning instructions to ensure gas grill is safe.

If gas grill is stored outdoors ensure to check that all areas under the front panel are free from any obstructions (insects etc.) This area must be kept free as this may affect the flow of

combustion or ventilation air.

12. Cleaning instructions

Maintenance is recommended that every 90 days for your gas grill, but it is absolutely necessary to perform maintenance at least once a year. By doing so you will extend the life of your gas grill.

Your gas grill is easy to clean with minimum effort, just follow these helpful hints for cleaning convenience.

Trouble Shooting Problem	Possible Cause	Solution
Burners will not light using the ignition system	LP gas cylinder empty Faulty regulator	Replace with full cylinder Have regulator checked or replaced
Low flame or flashback (fire in burner tube-a hissing or roaring noise may be heard)	Windy conditions. Obstructions in gas jets or hose. Obstructions in burners Obstructions in gas jets or hose. Obstructions in burners	Clean burners Clean jets and hose Clean burners Clean jets and hose Use BBQ in a more sheltered spot
Gas valve knob difficult to turn.	Gas valve jammed	Replace gas valve

If your problem is not resolved from the information above, please call the Gas grill helpline.

- a) Turn the burner on for 15 to 20 minutes. Grease drippings will be burned off from your grill as well as your lava rock. Ensure appliance is cold before continuing.
- b) Grids should be cleaned periodically by soaking and washing in soapy water.
- c) The interior surfaces of the grill housing cover should also be washed with hot, soapy water. Use a wire brush, steel wool or a scouring pad to remove stubborn spots.
- d) Periodically check the burner to see that it is free from insects and spiders which may clog the gas system, deflecting gas flow. Ensure to clean venturi pipes on burner very carefully, make sure that there are no obstructions. We recommend that you use a pipe cleaner to clean the venturi pipe area.
- e) Any modifications of this appliance may be dangerous and are not permitted.

13. Gas grill Safety Hints

Stand your gas grill on a safe level surface, away from inflammable items such as wooden fences or overhanging tree branches.

Never use your gas grill indoors!

Once lit do not move your gas grill or leave it unattended.

Keep children and pets at a safe distance from the gas grill.

Keep a fire extinguisher handy.

The gas grill will become hot when in use, so handle lids etc. with the help of gloves.

Ensure that the appliance has completely cooled down before storing.

Use outdoors only!

Read the instructions before using the gas grill.

Assessable parts may be very hot, Keep young children away!

Do not move the gas grill during using.

Turn off the gas supply at the gas container after use.

Any modification of the appliance may be dangerous and be not permitted.



Distribuidor oficial para España:

The Barbecue Store

**Avda. Carmen Saenz de Tejada, 1
29650 Mijas Costa (Málaga)**

Teléfono: 952477152 - 952477161

Fax.: 952580781

Email: dmblico2@telefonica.net

<http://www.thebarbecuestore.es>

