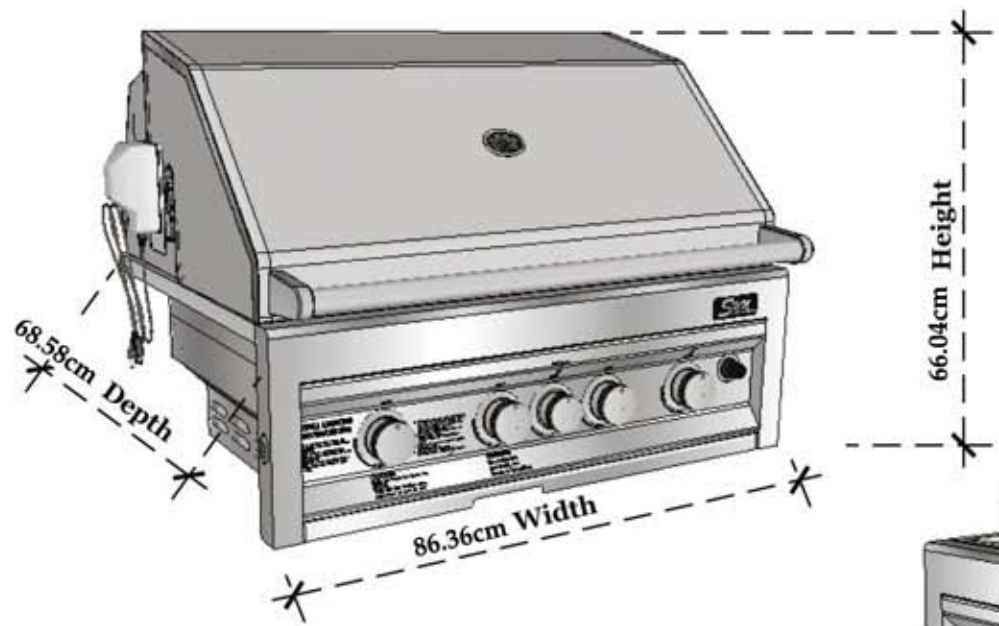
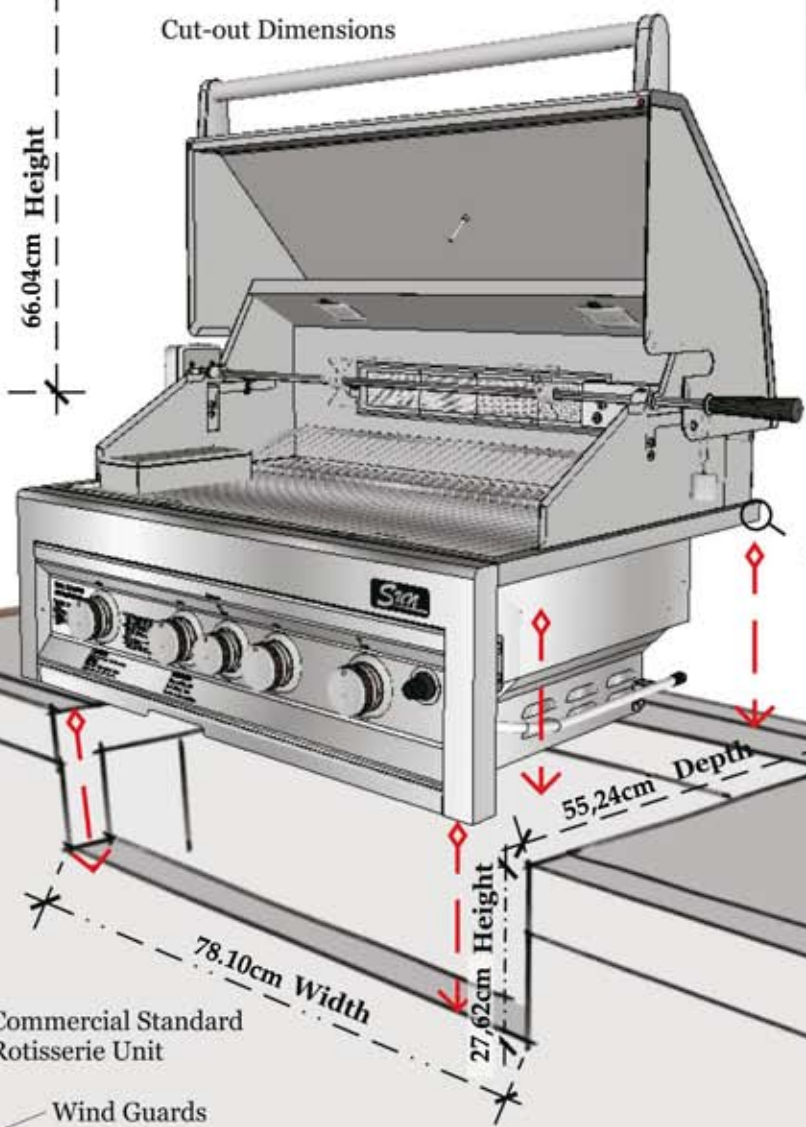


THE BARBECUE STORE

Product Dimensions



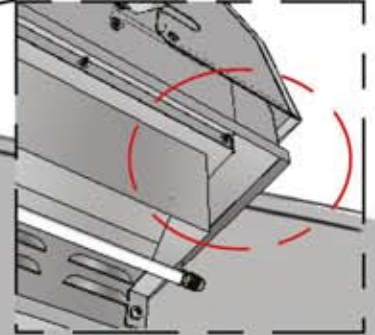
Cut-out Dimensions



DESCRIPTION
 INFRARED 4 BURNER
 W/LIGHTS 34"
 Ref.: SUN4B-IR

4 BURNER W/LIGHTS 34"
 Product Size (cm): 86,36 W x 68,58 D x 66,04 H
 Cut Out (cm): 78,10 W x 55,24 D x 27,66 H
 Weight (kg): 67,13
 Material Specifications:
 304 Stainless Steel for Entire Structure.
 16 Gauge for External Hood Layer.
 20 Gauge for Internal Hood Layer.
 11 Gauge Cast Stainless Steel Burner.
 18 Gauge for Firebox.
 18 Gauge for Front Face Panel.
 18 Gauge for Drip Tray, 20 Gauge for Flavor Systems.

Enlarged View
 Grill Lip rests on counter



304 Stainless Steel Double
 Wall Hood & Back Hood
 Temperature Gauge



Commercial Standard
 Rotisserie Unit

Wind Guards

304 Heavy Duty 0.95cm
 Stainless Cooking Grids

Electronic Ignition System

Commercial Adjustable Valves

Roll-along Tray

11 Gauge 304 Stainless Steel "I" Burner

Right End Section Cut

Internal Light Assembly

Gas Flow

Rotisserie Rod

Large Center Grilling Space

Air Venturi Bolt

Up To 20,000 btu's a burner

Mounting Bolt

2.54cm Double Walled Hood

Solid Vented Handle

Infra Red Burner Housing

Air Flow

IR Burner-15,000 BTU's

304 SS 16 Gauge for External Hood Layer

304 SS 20 Gauge Internal Hood Layer

Lights

Left/Right Rot. Mount Assembly

(4) 304 SS 20 Gauge Flavor Systems Racks

304 SS 18 Gauge for Front Face Panel

1,27cm to 0,95cm Flare adapter included with Liquid Propane model

(2) 304 Heavy Duty Solid 0,95cm Stainless Cooking Grids

304 Stainless Steel for Entire Structure

Regulator included with Natural Gas model

304 SS Warming Rack

304 SS Rotisserie Unit includes SS Rod, (2) Adjustable Large Forks, (2) Support Mounts, Heavy Counter Weight, Fastener,

304 SS Flame Directors

304 SS 18 Gauge SS Drip Tray

304 SS Wood Smoker Box

