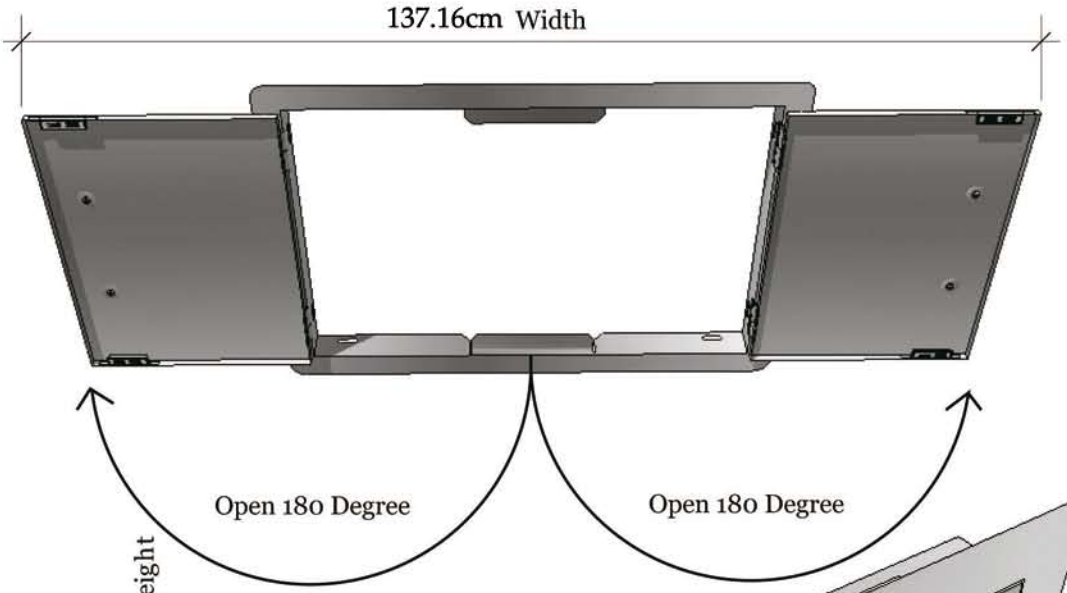
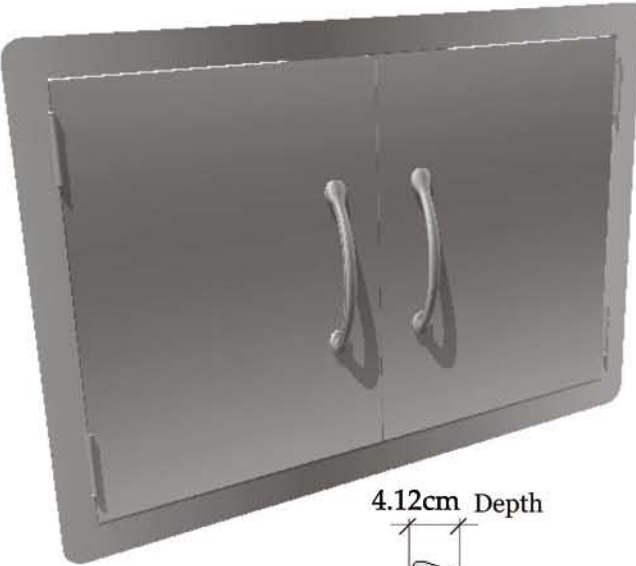


THE BARBECUE STORE

PRODUCT
Double Door Flush Mount
Item No. A-DD30

Double Door FLush Mount
Product Size (cm): 76,2 W x 53,6 H
Cut Out (cm): 69,8 W x 46,3 H
Weight (kg): 5,44
Material Specifications:
304 Stainless Steel
16 Gauge for Frame
18 Gauge for Door
Handles are made of Zinc Alloy, Chrome Plated.



137.16cm Width

4.12cm Depth

Open 180 Degree

Open 180 Degree

3.81cm Height

Holes for Securing doors on all four sides

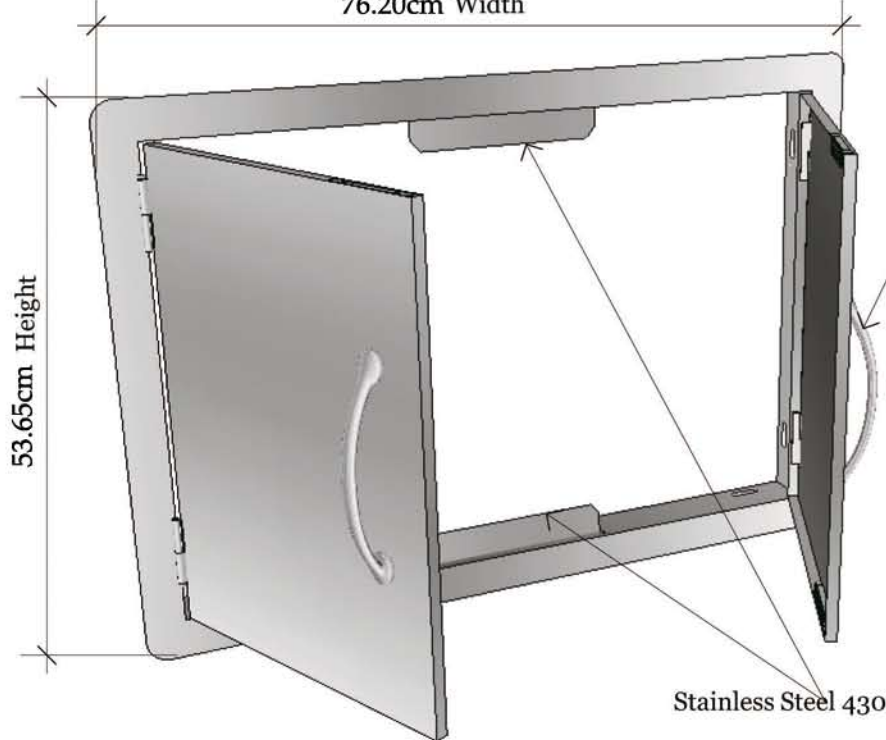
Reversible hinge to secure door firmly in place, and no moving parts, for long lasting

Product Dimensions

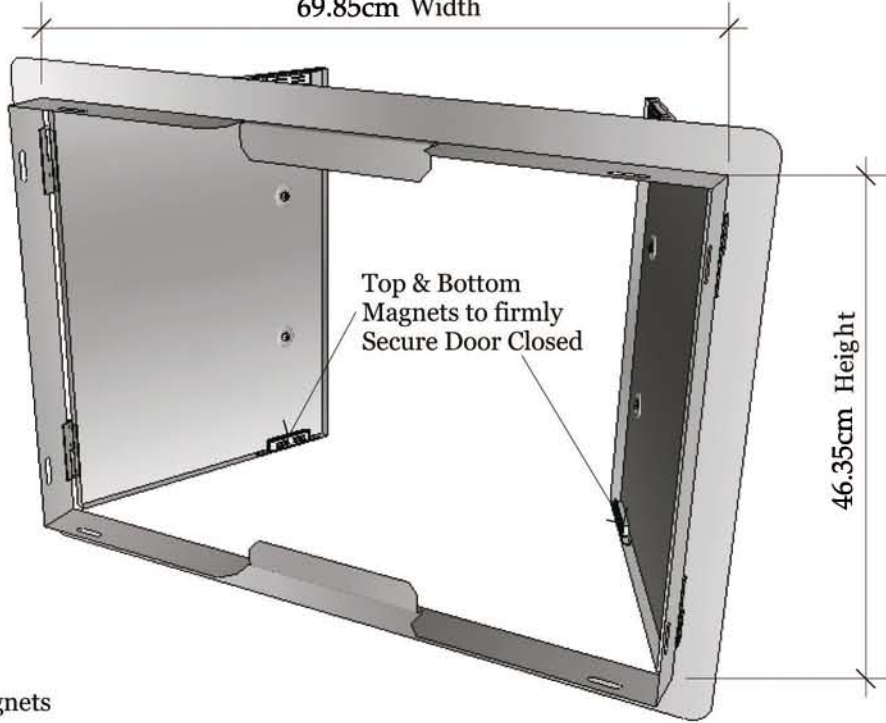
Cut-out Dimensions

76.20cm Width

69.85cm Width



Handles are made of Zinc Alloy, Chrome Plated for Long lasting Affect



Top & Bottom Magnets to firmly Secure Door Closed

53.65cm Height

46.35cm Height

Stainless Steel 430 Plate Cover secured, for door magnets