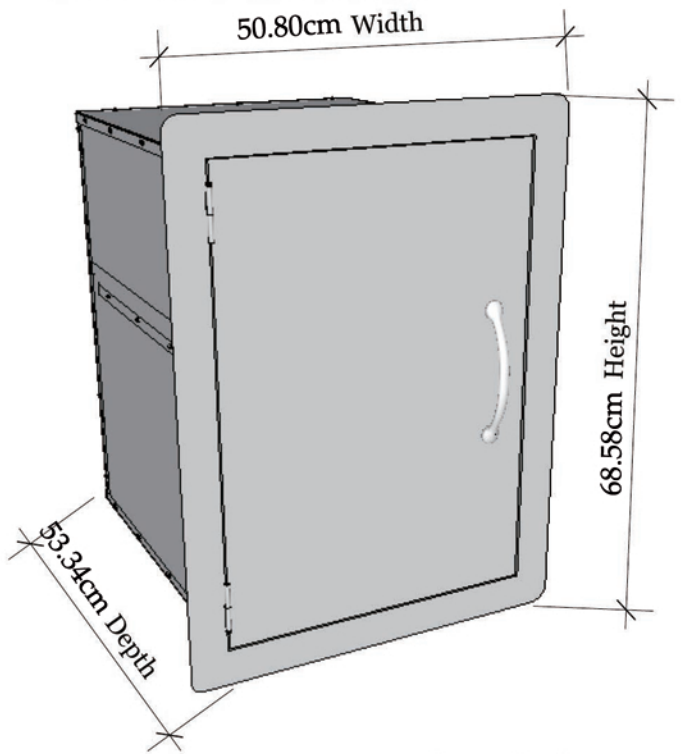
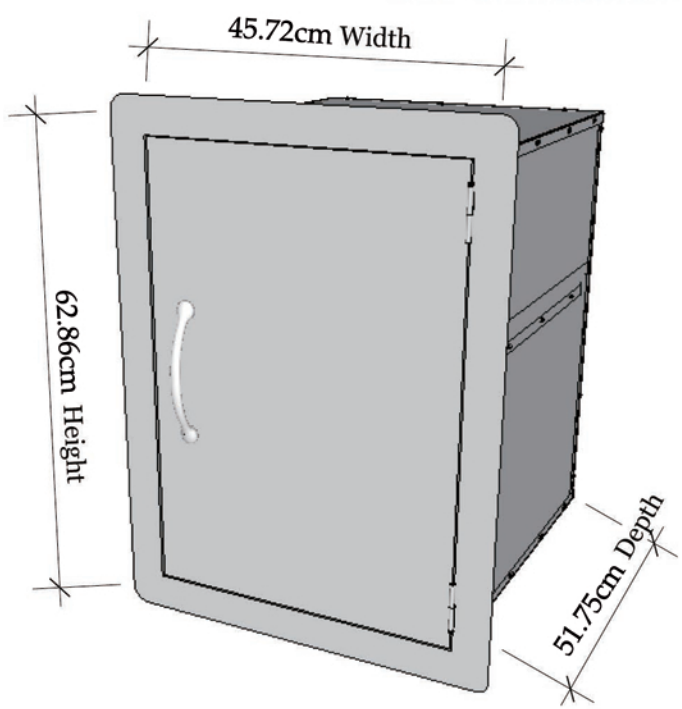




Product Dimensions



Cut-Out Dimensions



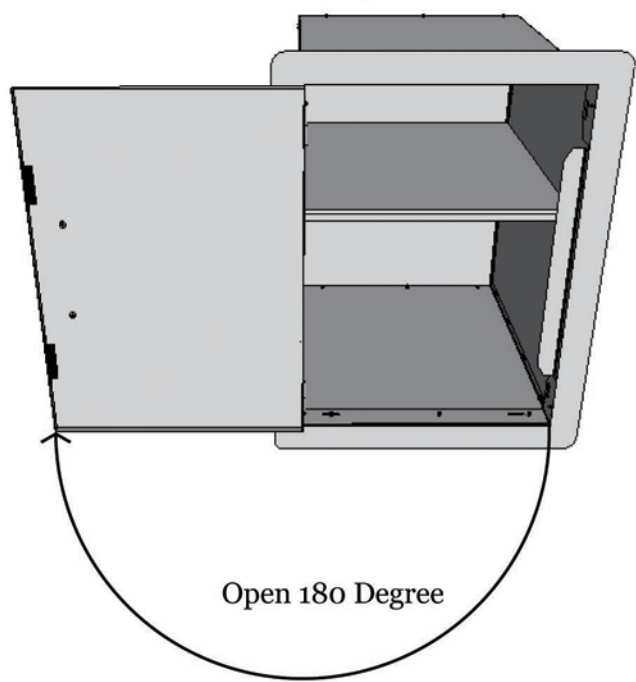
PRODUCT
VERTICAL DRY STORAGE
PANTRY W/SHELF
Item No. DSV2417

DESCRIPTION
304 stainless construction, flush mounted Polished Look. Cabinet is fully inclosed air tight.

Verticle DryStorage Pantry
Product Size (cm): 50,8 W x 53,3 D x 68,5 H
Weight (kg): 19,50

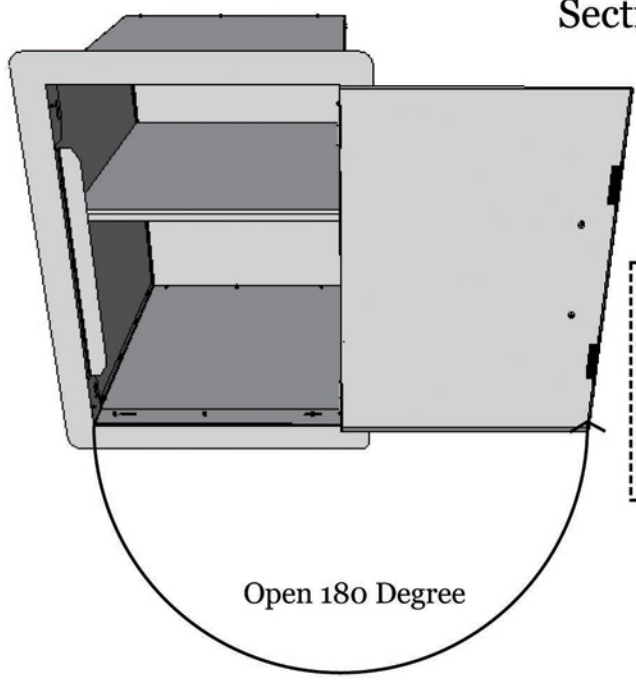
Material Specifications:
16 gauge 304 stainless steel for door
18 gauge galvanized sheet for the box
Handles are made of zinc alloy, chrome plated.

Open Left



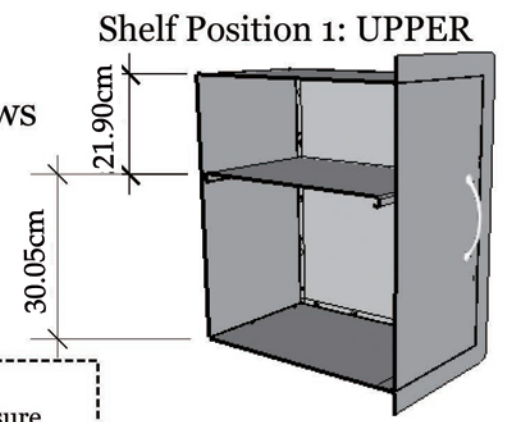
Open 180 Degree

Open Right



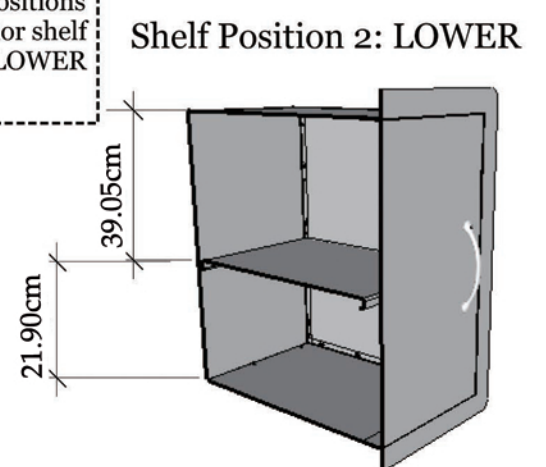
Open 180 Degree

Section Cut-Views



Shelf Position 1: UPPER

With the Vertical Dry Storage enclosure you can set it up for LEFT or RIGHT positions and with the interior shelf on the UPPER or LOWER position.



Shelf Position 2: LOWER

SOME ASSEMBLY REQUIRED