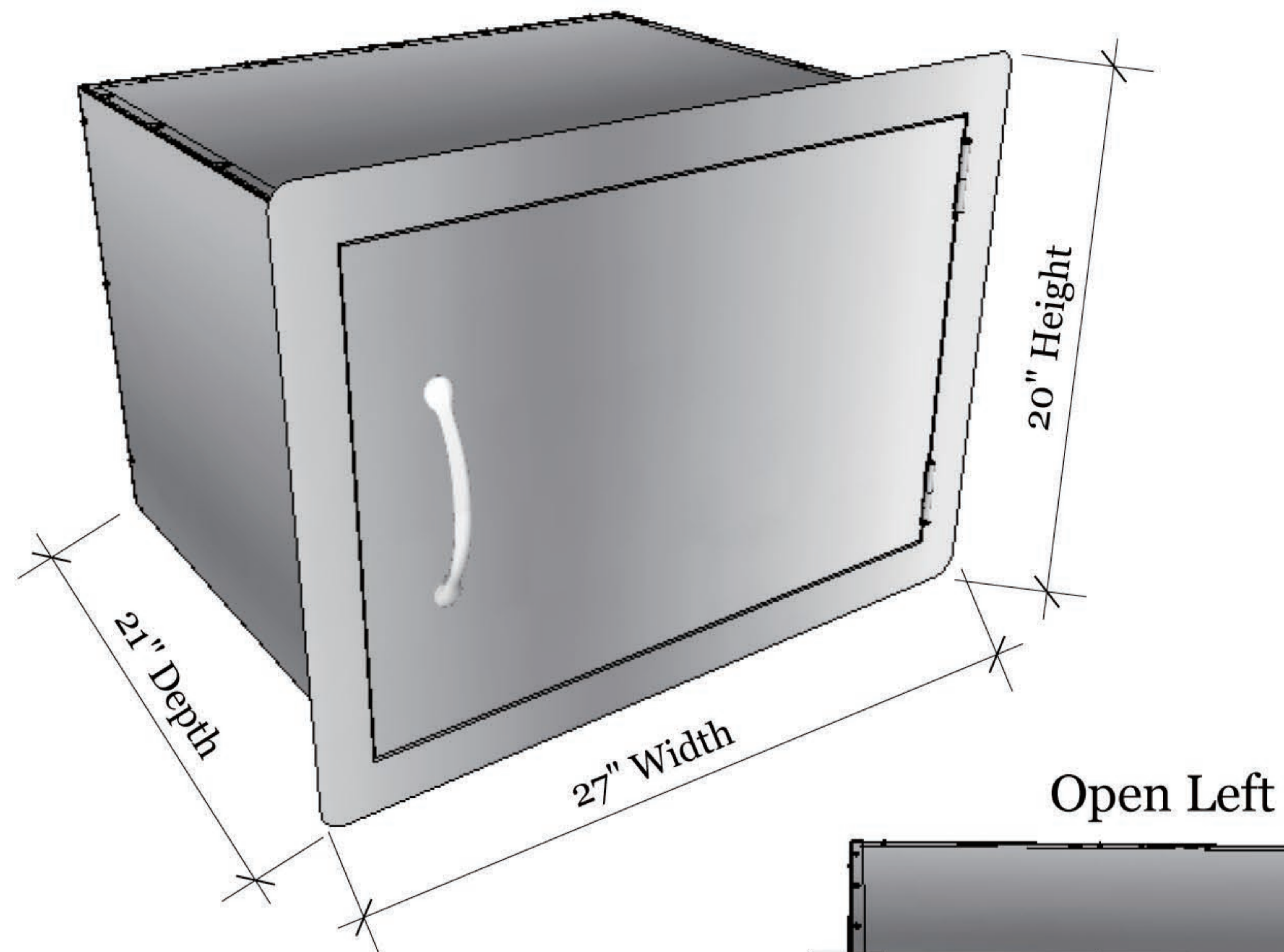
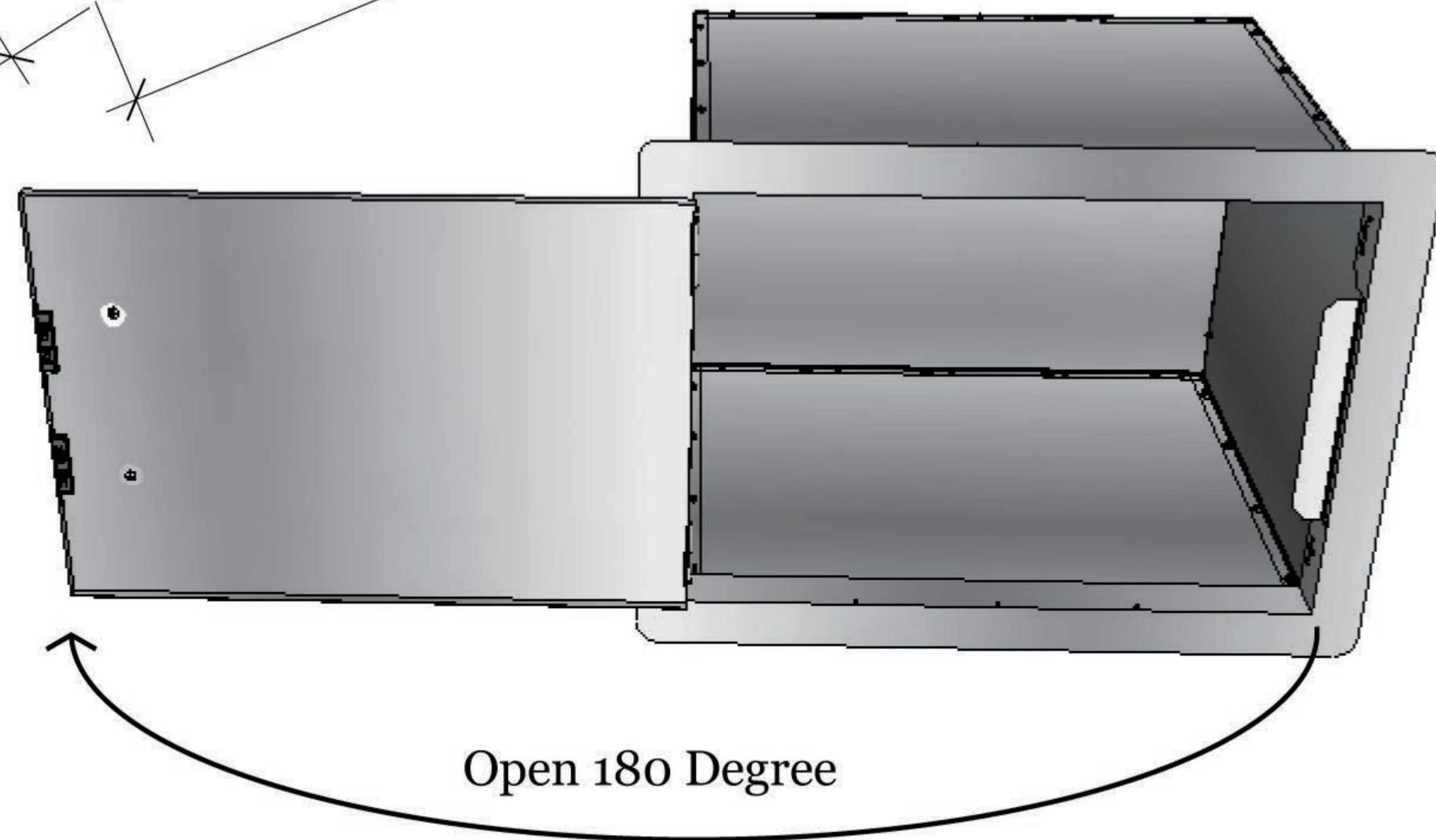


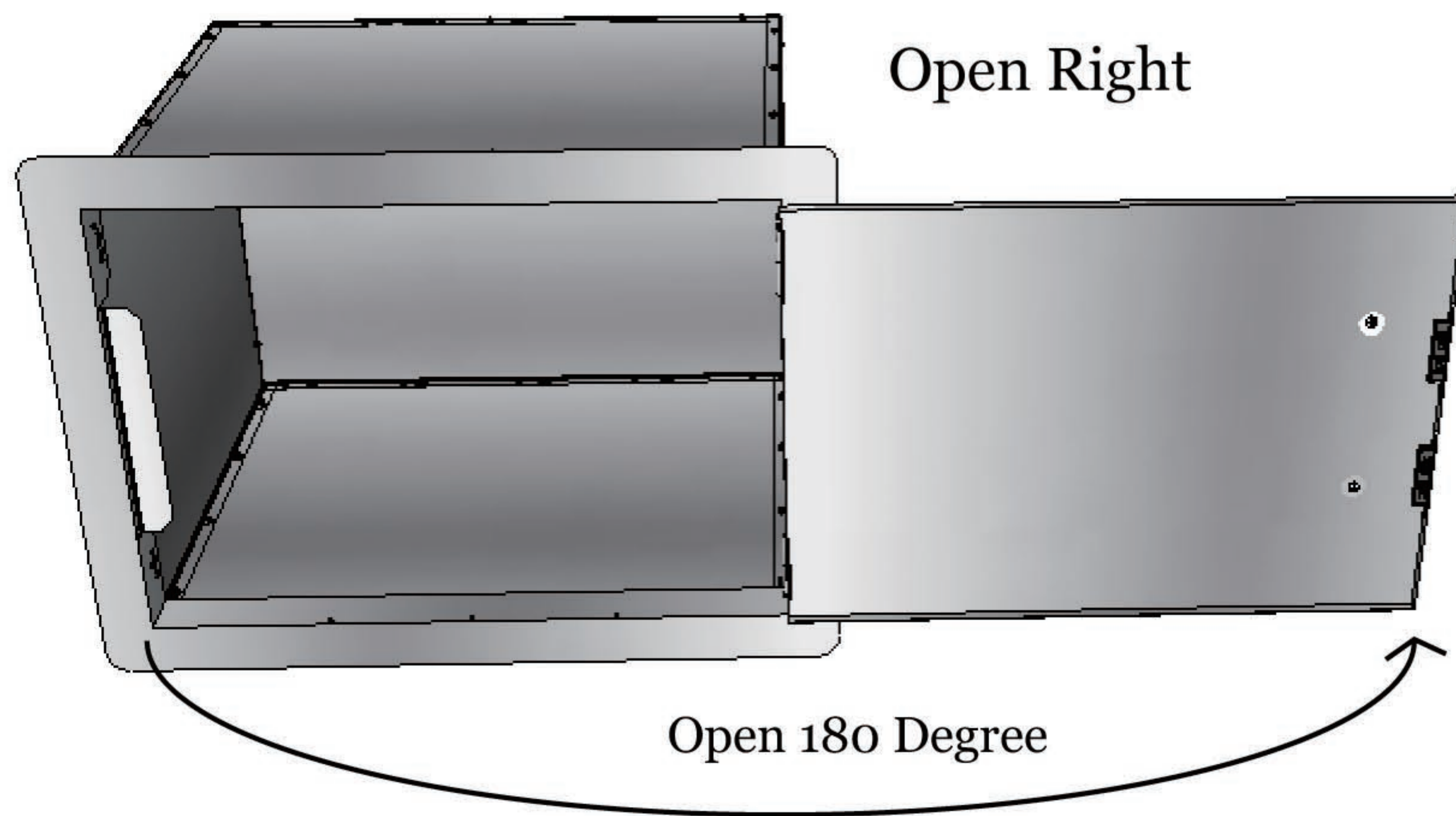
Product Dimensions



Open Left



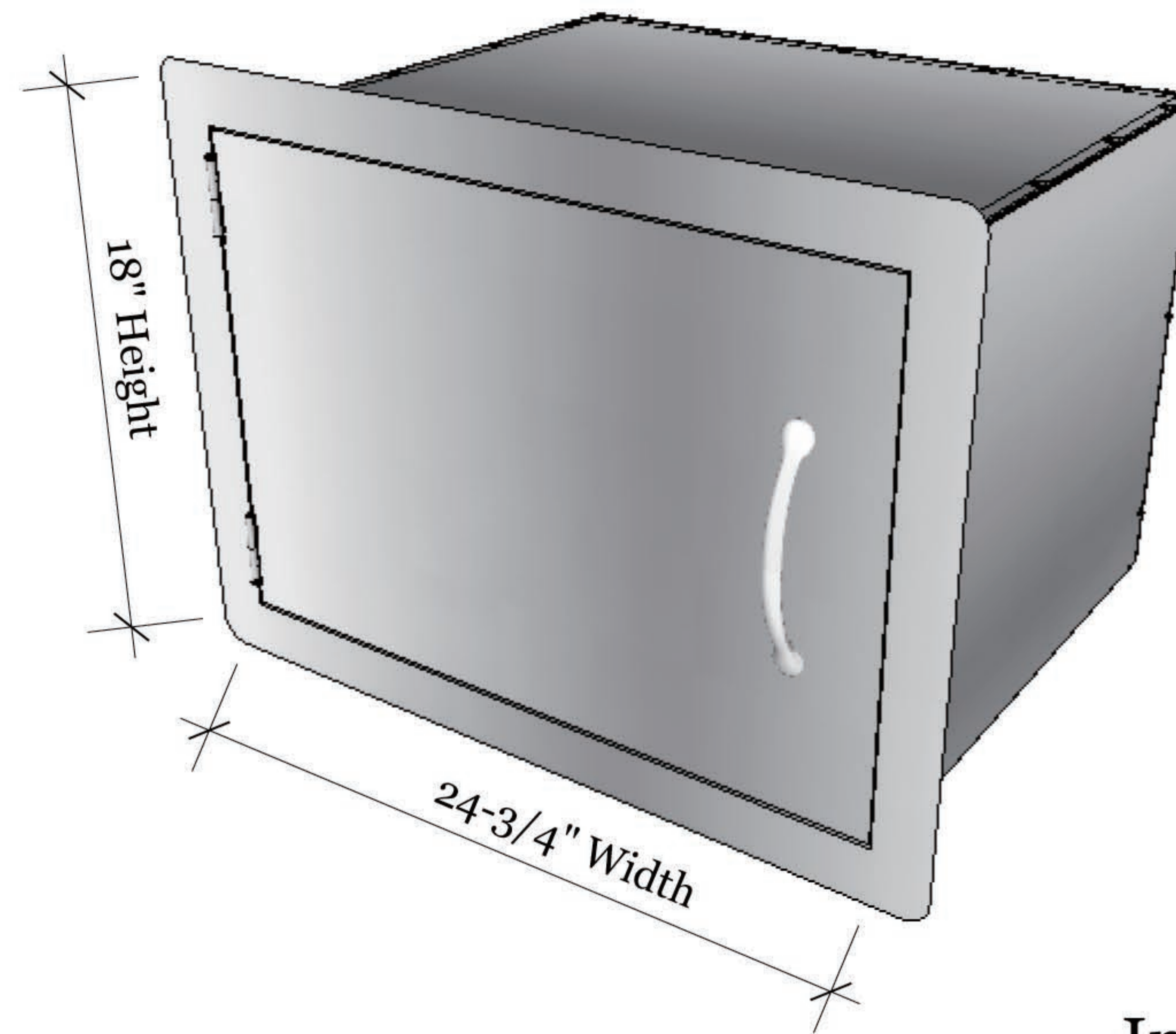
Open 180 Degree



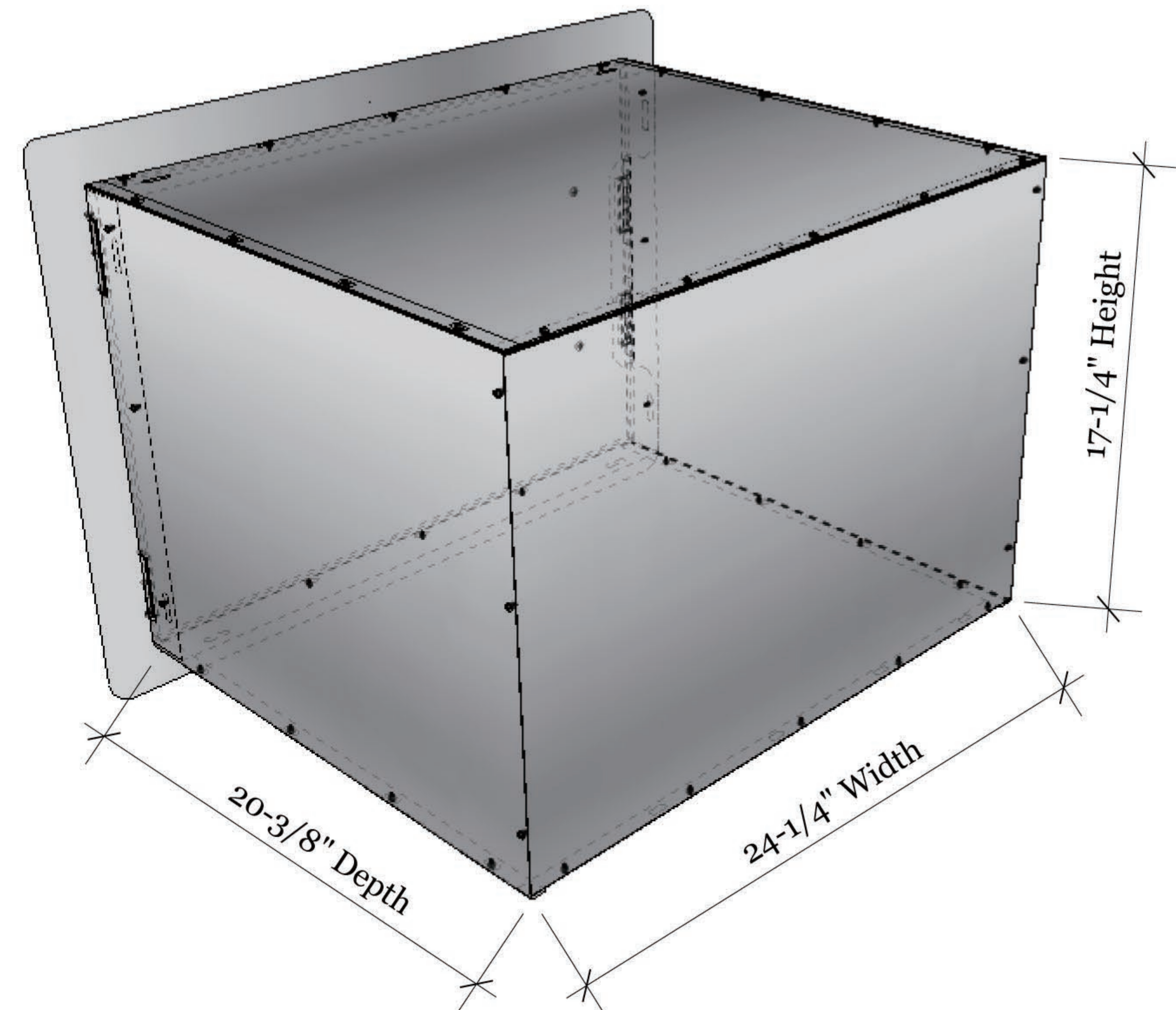
Open Right

Open 180 Degree

Cut-Out Dimensions



Interior Space



Sunstone Metal Products
16004 Central Commerce Dr
Pflugerville TX 78660
Tel: 888.934.9449
Bus: 512.487.5116
Fax: 512.487.7016

PRODUCT
17" X 24" HORIZONTAL DRY STORAGE
PANTRY W/SHELF
Item No. DSH1724

DESCRIPTION
304 stainless construction, flush
mounted Polished Look. Cabinet
is fully inclosed air tight.

17" X 24" Horizontal DryStorage Pantry
27"W x20"H x 21"D(Product Size)
24-3/4"W x18"H(Cut-out)
43 LBS (Weight)

Material Specifications:
16 gauge 304 stainless steel for door
18 gauge galvanized sheet for the box
Handles are made of zinc alloy,
chrome plated.

SOME ASSEMBLY REQUIRED



Distribuidor oficial para España:

The Barbecue Store

**Avda. Carmen Saenz de Tejada, 1
29650 Mijas Costa (Málaga)**

Teléfono: 952477152 - 952477161

Fax.: 952580781

Email: dmblico2@telefonica.net

<http://www.thebarbecuestore.es>