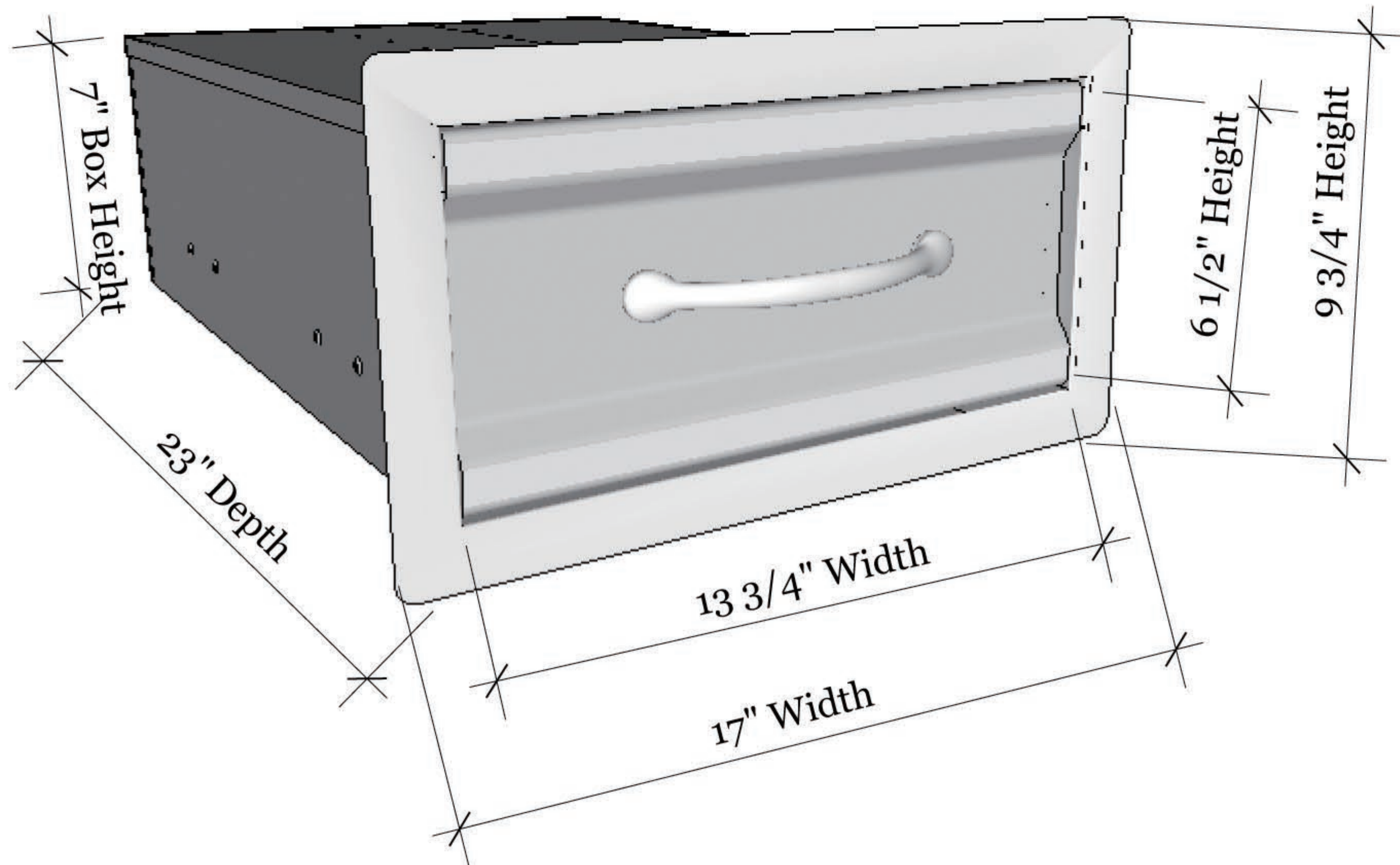
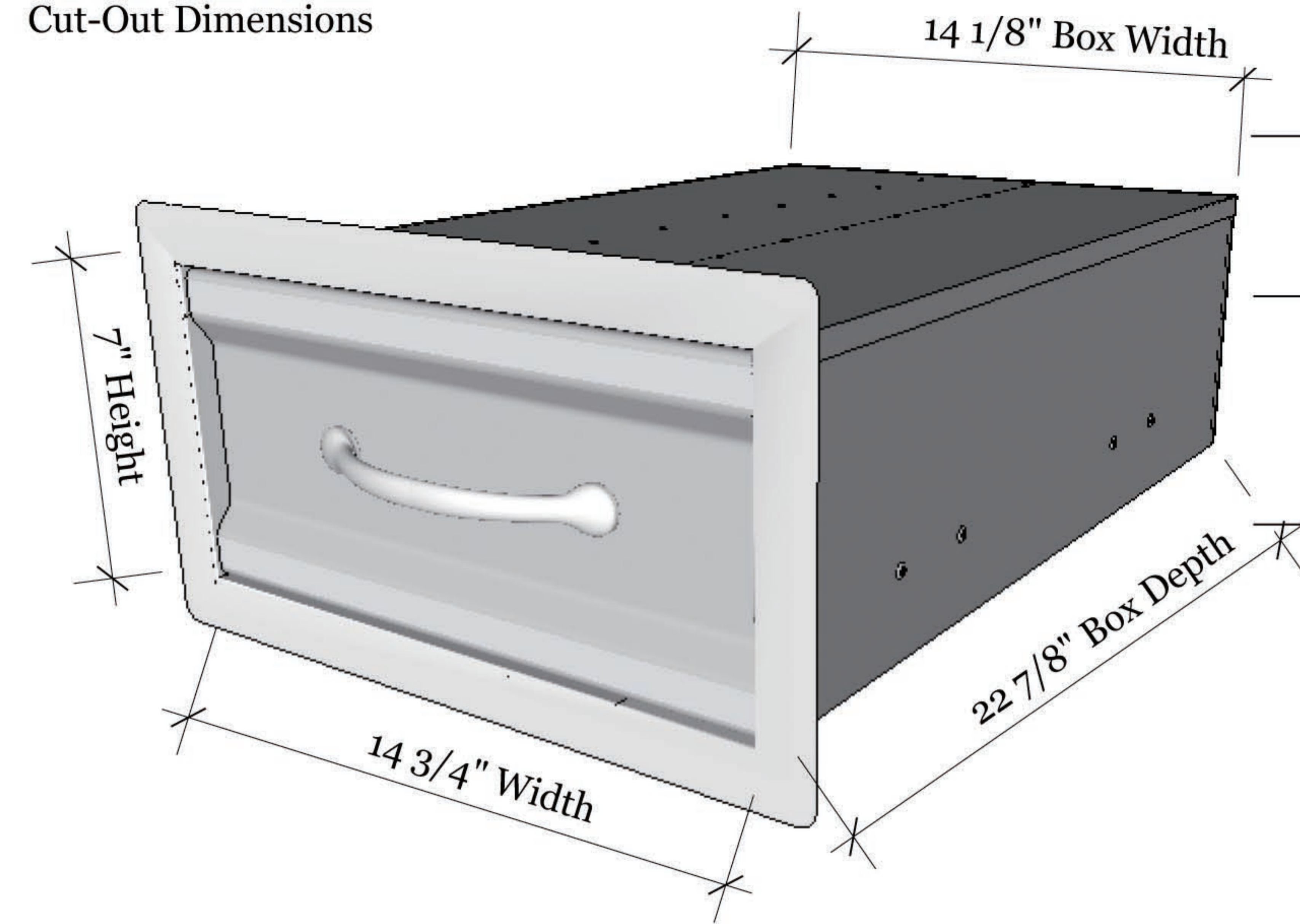


Sunstone Metal Products
 16004 Central Commerce Dr
 Pflugerville TX 78660
 Tel: 888.934.9449
 Bus: 512.487.5116
 Fax: 512.487.7016

Product Dimensions



Cut-Out Dimensions



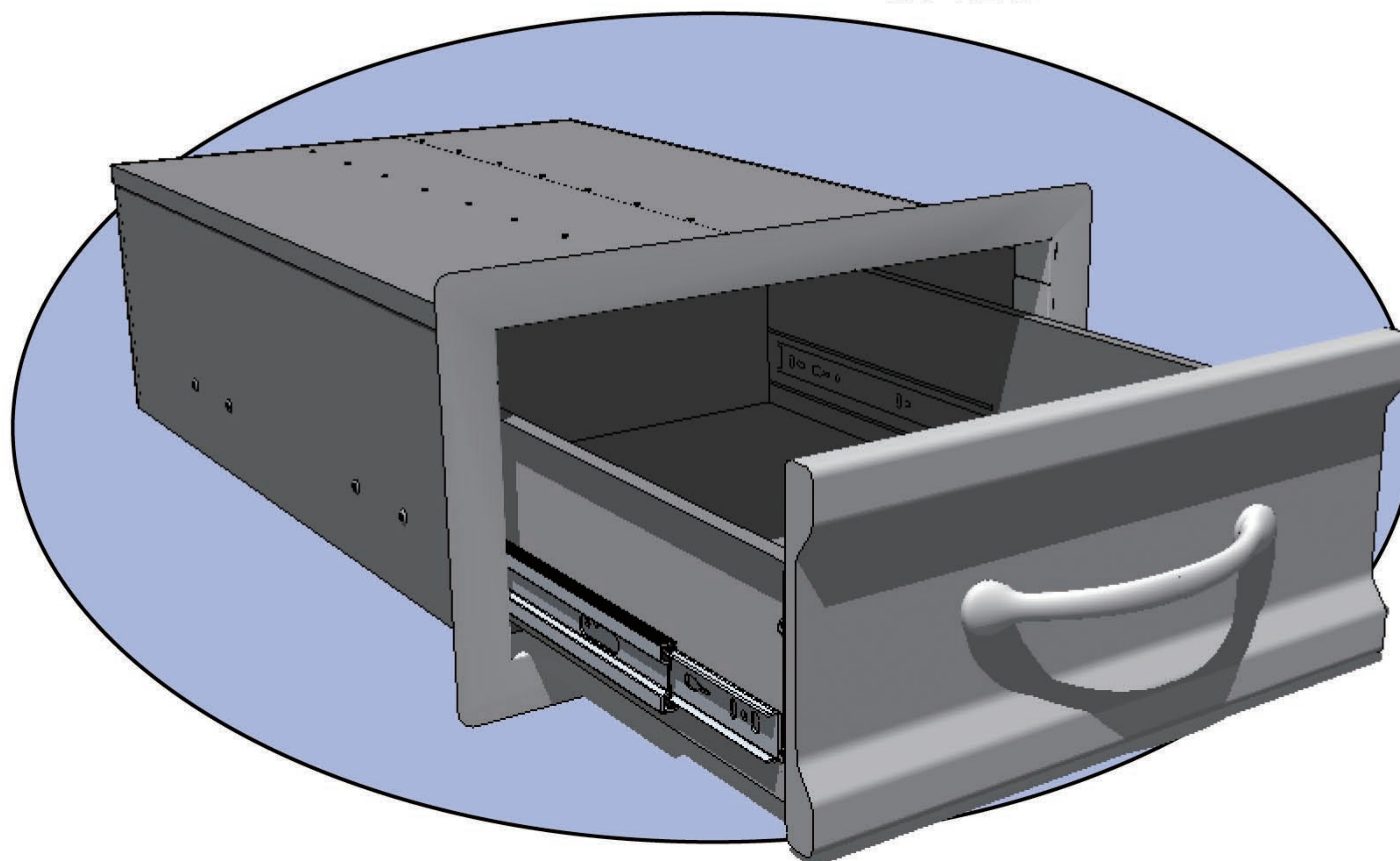
PRODUCT
 17" PREMIUM SINGLE ACCESS DRAWER
 Item No. C-SD7

DESCRIPTION
 304 stainless construction, flush mounted Polished Look. Drawers are fully enclosed.

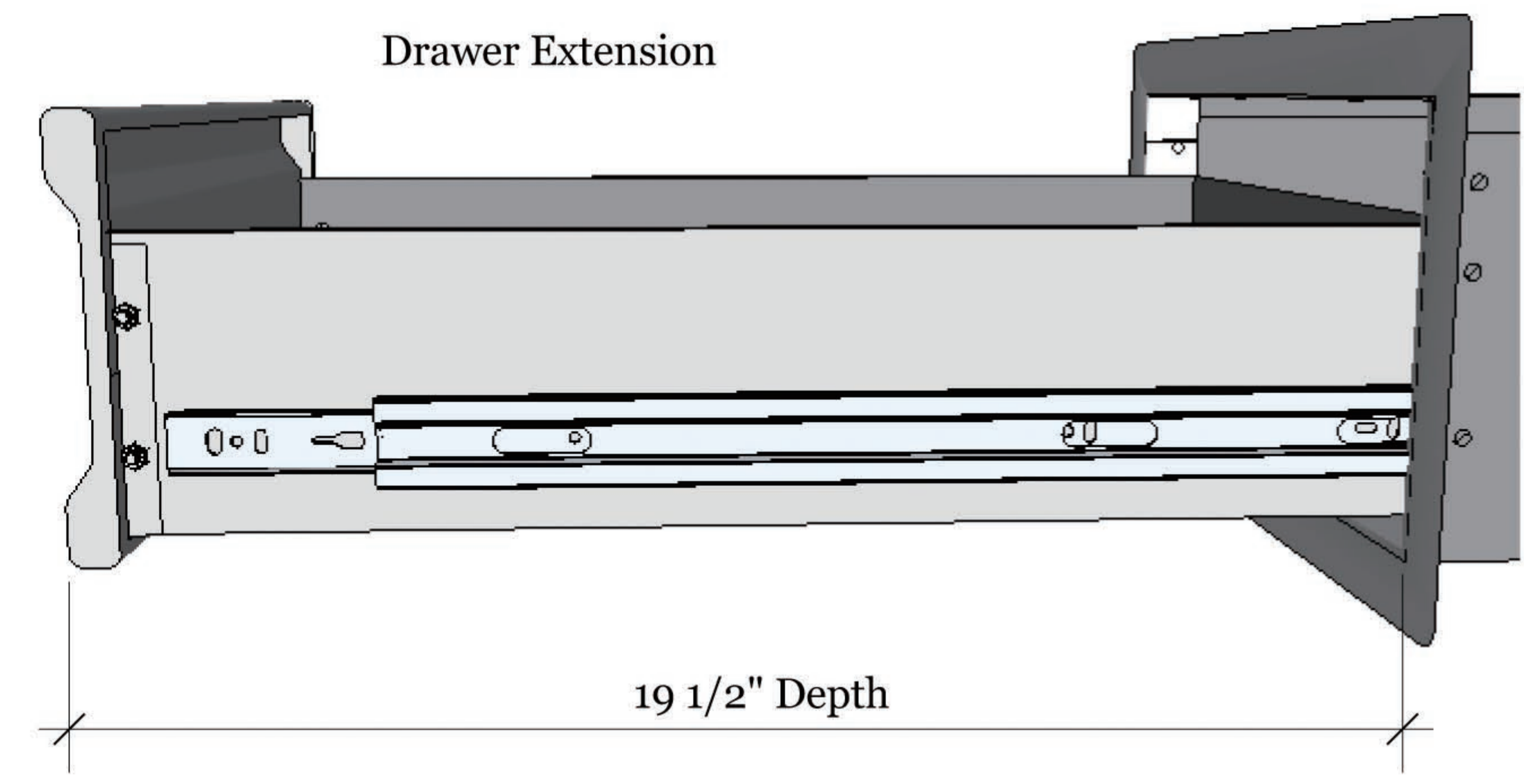
Premium Single Access Drawer
 17"W x 9-3/4"H x 23"D (Product Size)
 14-3/4"W x 7"H (Cut-out)
 26 LBS (Weight)

Material Specifications:
 304 stainless steel
 16 Gauge for Frame
 18 Gauge for Panel
 18 Gauge galvanized Box
 Handles are made of zinc alloy, chrome plated.

ISO VIEW



Drawer Extension





Distribuidor oficial para España:

The Barbecue Store

**Avda. Carmen Saenz de Tejada, 1
29650 Mijas Costa (Málaga)**

Teléfono: 952477152 - 952477161

Fax.: 952580781

Email: dmblico2@telefonica.net

<http://www.thebarbecuestore.es>