



Distribuidor oficial para España:

The Barbecue Store
Avda. Carmen Saenz de Tejada, 1
29650 Mijas Costa (Málaga)
Teléfono: 952477152 - 952477161
Fax.: 952580781
Email: dmbriico2@telefonica.net
<http://www.thebarbecuestore.es>

BBQ Islands

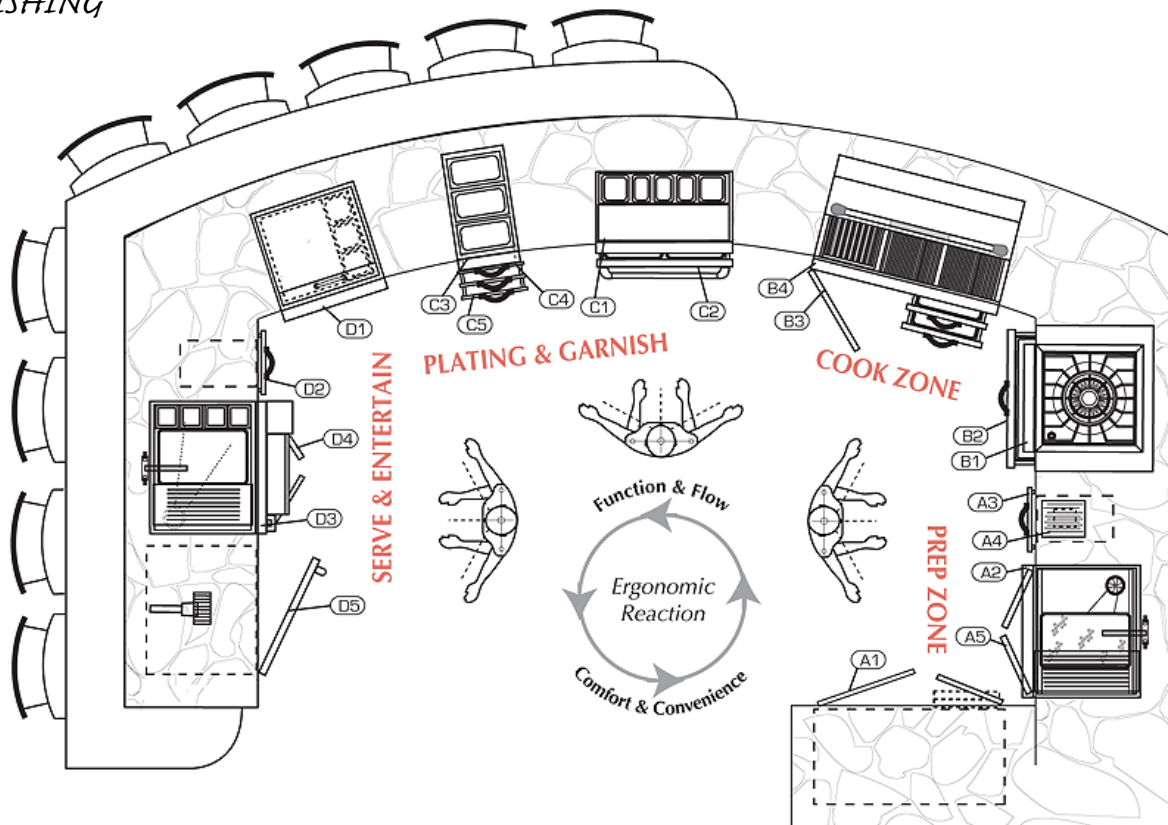
"More than just a grill"

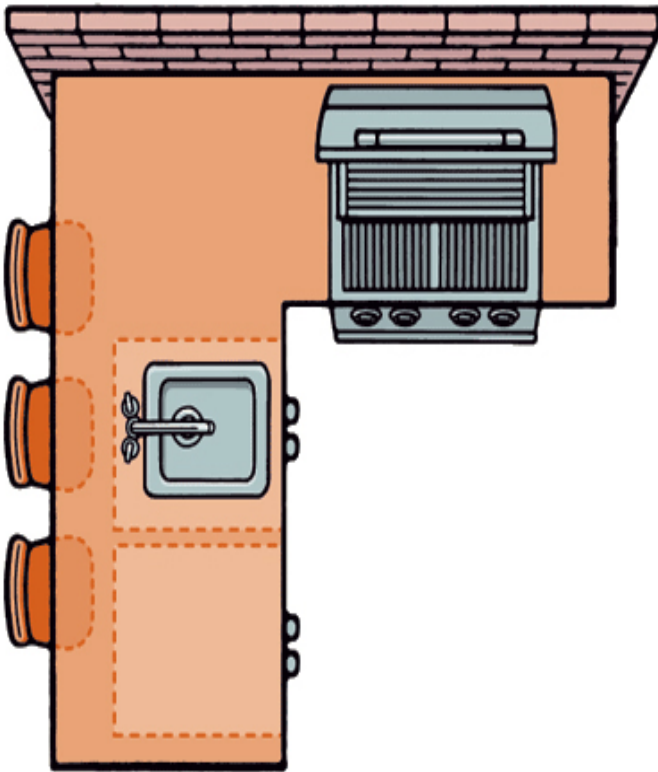
Guide for the perfect BBQ Island

Designing a BBQ Island should be easy, but can present some interesting challenges. How big should it be? Where should it be placed? Where should the grill be facing? How much space between the accessories? How high and deep should the Island be?

This guide has **7 key** points that will help to design the perfect Island:

- GRILL POSITION
- ISLAND SHAPE AND PLACEMENT
- ACCESSORIES LAYOUT
- DIMENSIONS
- CONSTRUCTION AND FINISHING MATERIALS
- UTILITIES
- FINISHING





GRILL POSITION

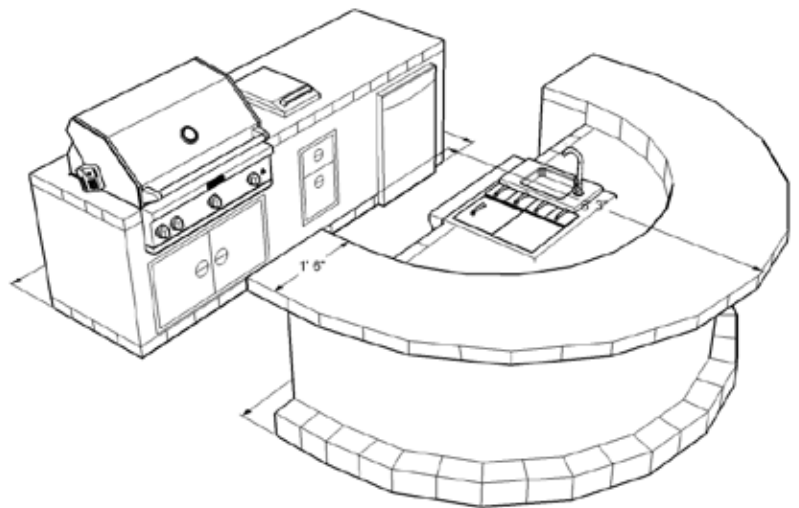
The grill is normally the center of the BBQ Island. Where it's positioned is an important decision for several reasons including the view, the direction of the wind and the course of the smoke.

1. Grill is best located downwind from where guests will be sitting so that they are away from the smoke coming from the grill.
2. The back of the grill is the "messy" area and less attractive. Try to position the grill so that the back is hidden to some degree. If you plan to have seats around the island, guests will not want to sit behind the Grill especially when you are grilling.
3. The evening breeze and wind should not blow against the back of the grill because it works like an "exhaust pipe". Wind behind the grill makes the grilling temperature uneven.
4. If you have a pool and young children, positioning the grill so that the Chef can see the pool when he is grilling may be a higher priority than the other considerations.

ISLAND SHAPE & PLACEMENT

Shaping the Island is a major consideration. Shape has a big impact in its functions, its cost and looks, even the overall appearance of the backyard. Some Island shapes are determined by budget or by space and sometimes that makes things easier. If you have a big area and a good budget, determining the size and shape will present a bigger challenge.

1. Creating a "wish list" for the accessories is a great starting point. The number of accessories will determine the size of the Island
2. If you plan to have seats around the Island, attempt to give your guests the best view. It is less interesting facing the neighbor's fence than facing the pool.
3. If the yard or house have particular shapes you can complement or contrast those shapes.
4. Again, the evening breeze and wind comes into consideration. The Island placement should not allow that smoke behind the grill blows in the direction of the house or where guests are sitting.
5. Access to utilities often helps position the island. Imagine carrying a gas bottle or paying for water connections and drainage to a further distant.
6. Think if the island will be used to cook just for the family or used to entertain larger groups. This will help decide on the size and also how close from the house it should be.
7. If you like to grill all year, you should consider a cover, a pergola or an awning for protection of the rain and the sun. A less expensive option is an umbrella in the Island.



APPLIANCE LAYOUT

How appliances are positioned in the Island can make a big difference in maximizing functionality. Think about separating the BBQ Island into sections: preparing, cooking and entertaining. Smaller Islands normally serve dual purposes such as preparing and serving food.

1. Try keeping the hot appliances together (grill and side burner) and the cold appliances together (sink, refrigerator, etc).
2. If possible try to have a minimum of 30cm on each side of the grill to place a plate or a platter.
3. The seating is the entertaining area and it should be close to the cold appliances such as the Ice chest, refrigerator, or beverage center.
4. If you decide on an outdoor refrigerator, locate it so it's easily accessed by others without the Chef having to move from the grill.
5. Access doors are important under appliances with water or sewer connections. In the future you might need to repair a leaky drain line.
6. Two items that are easy to miss, but highly valued are counter space and storage drawers. Counter space is good to prepare food and serve drinks. Drawers are good to keep the cooking accessories, the rotisserie, cutlery, etc.

DIMENSIONS

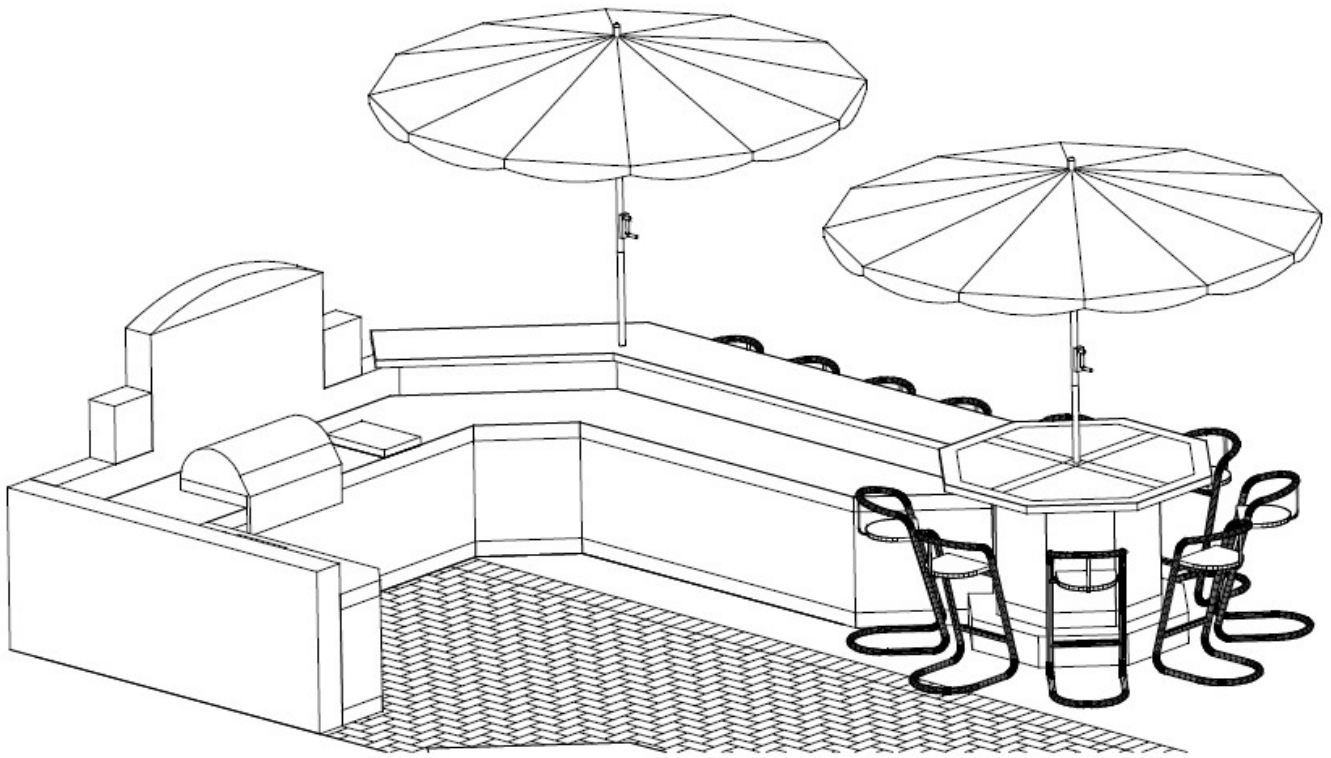
Dimensions are another major consideration when planning an Island and here are some options:

1. Normally countertops are 90cm high, but of course they can be made higher or lower.
2. Bar stools are designed to work best when the bar top is 105/110cms and dining chairs when countertop is 70/80cms. If the counter surface is higher or lower you will have difficulty finding stools or chairs that sit comfortably.
3. The Island depth needs to be deep enough for the appliances and for the opening of the grill. This is critical when there's a wall behind the grill. Minimum must be 70cm
4. The bar top depth should be between 30cm and 45cm. Space for the knees should be a minimum of 25cm, but 30cm is preferable.
5. For seating you should allow a width of 75cm per chair. For depth behind the chairs, allow 120cm from the edge of the bar-top or countertop to a wall or any other obstacle. That leaves enough room for someone to use the chair and another person to walk behind.
6. If the island has a "U" shape or is closed in by the house or a wall, it's best to leave 120cm inside it. 90cm will work too, but it will feel crowded.

CONSTRUCTION AND FINISHING MATERIALS

There are basically unlimited number of finishing materials that can be used in your Island

1. The structure of our BBQ Islands is built with galvanized steel frames and covered with water proof cement boards. It's lighter, you gain more space inside the Island, it doesn't rust, it's faster to build and if necessary to change it to another place, it's possible. However we can also build the Island structure in concrete but this has some inconveniences. It takes more time to build, it's more expensive, there is less space inside and retains moisture creating a perfect environment for mold. Other than this, is a perfectly acceptable method to construct the structure.
2. Countertop finishes are almost unlimited: granite, marble, limestone, slate, onyx, travertine... and then there are different colors and finishings for each. Some stones are more porous and require sealing and others don't. Dark colors while pretty normally get hotter when exposed to sun light. Another option instead of stone is tile pieces, they are less expensive but require more work and care.
3. Finishes for the side panel of the island can be as simple as just painting it the color you like (less expensive), or putting stone. In stone you have manufactured stones (less expensive) or real stone (more expensive). Stone looks great, but if you want to cut cost, consider painting the panel(s) of the Island that is less visible and adding stone to the panel(s) that is more visible.



UTILITIES

Getting the required utilities for the BBQ Island can be a little more expensive, but very useful. However just with a gas bottle you can build a fully functioning BBQ Island.

1. Of all the utilities, electricity is probably the most useful. Premium Grills like ours require electricity for the lights and for the rotisserie motor, but so does a refrigerator, a coffee machine, a blender, a sound system, etc.
2. If you plan to have a sink, bringing water to the Island is relatively easy, but you also have to think of where the drain goes out.
3. Gas bottles are normally the best solution and less expensive, especially the lighter ones, but if you want you can choose to install Gas line.

FINISHING TOUCHES

You have selected the appliances, made the choices for finishing materials and colors, determined heights and depths, chose the right shape but now there are a few finishing touches that can greatly improve the use and looks of your new BBQ Island.

1. Lighting can make the Island more attractive and functional. Consider countertop lighting where you prepare food or make drinks, because normally grills have lights inside. Additionally there are beautiful under counter lighting or foot path lighting on the body of the Island.
2. If you don't have a source of music in the backyard, the Island presents a great opportunity for it. There are weather proof sound systems that can be housed on the Island including speakers and iPod docking station.
3. Tables are a nice addition to the Island with or without additional bar seating. If you consider a table, a nice option is a fire pit in the center to extend the evenings with friends and family.
4. One of the reasons to get together with friends is to watch a game. With an Outdoor TV you can cheer your team and stay outside cooking.
5. With patio heaters you can extend your entertaining season. You can gain a month or two after the summer weather, and one or two more before the spring.

This guide is a little help, but as BBQ Island specialists we are glad to visit you to discuss this and other details.