

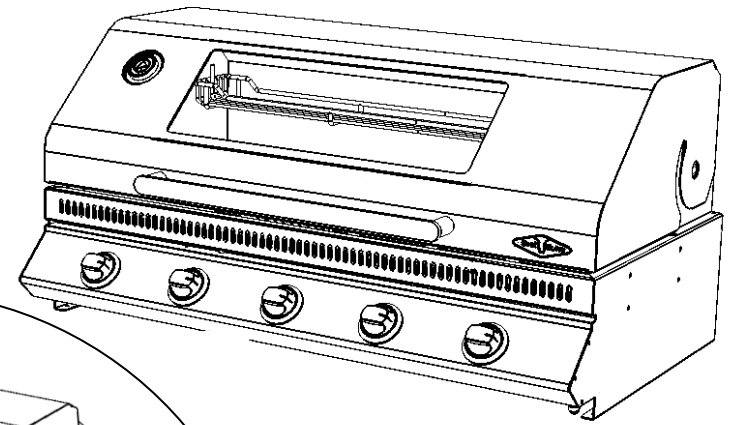


Discovery Series Build-In BBQ Instructions

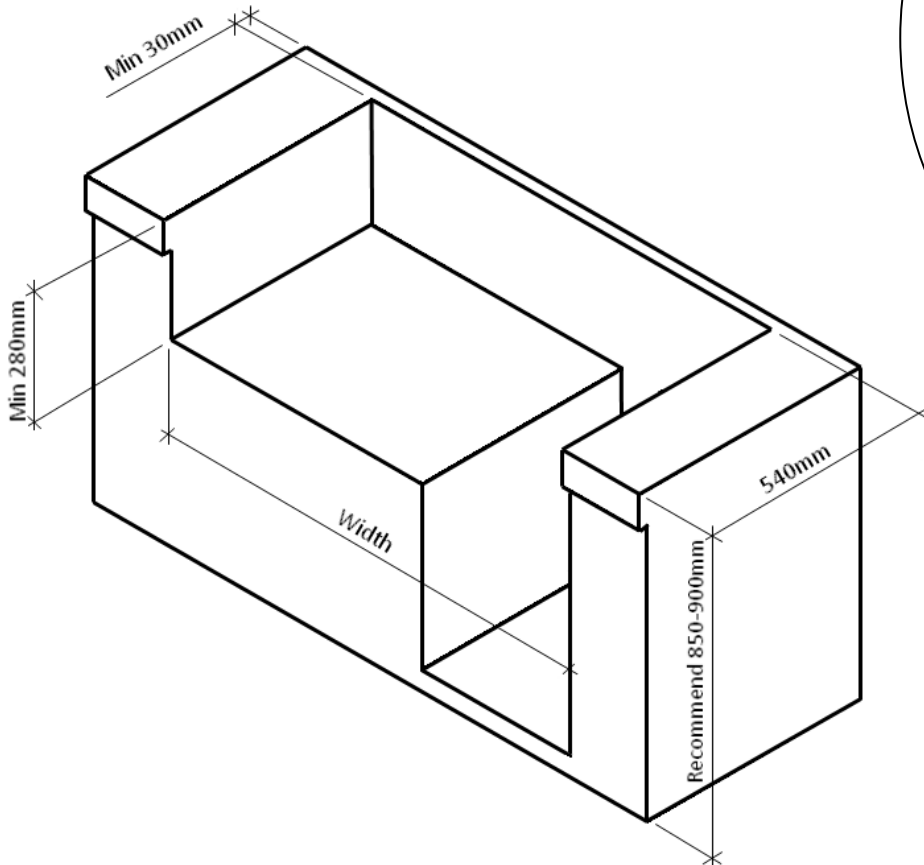
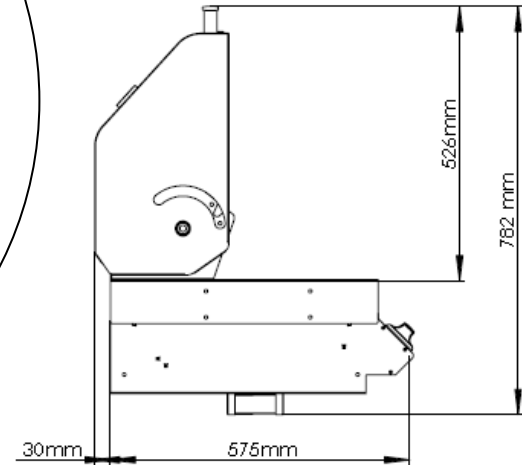
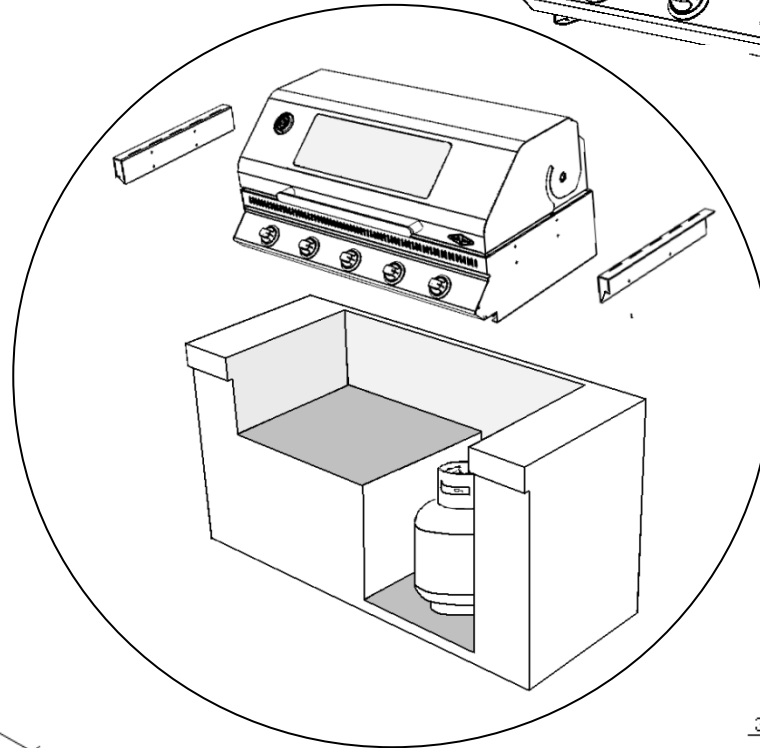
1100_BI_Inst V0.2

Serious Barbecues

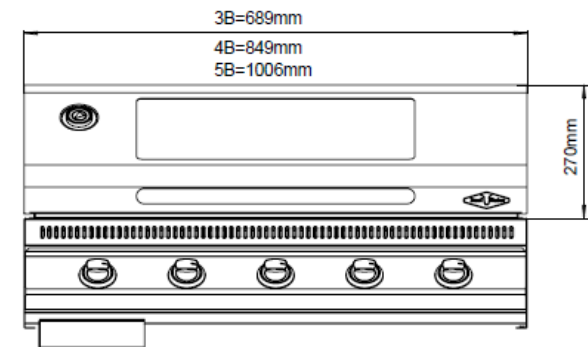
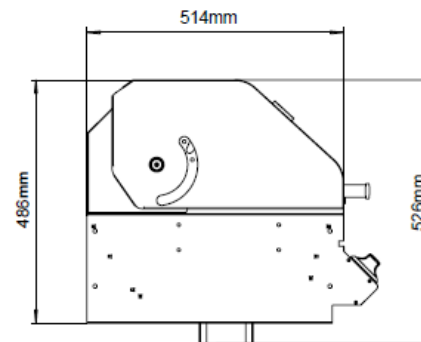
To suit models: 1100s, 1100e and 1100



[mm]	#3	#4	#5
Cut-Out opening Width	720	880	1035
Height (Min)	280		
Depth (including 20mm clearance at rear)	540		
Clearance at rear (Min)	30		
Minimum clearance to combustible materials	450		



General Dimensions



Note: Build-In brackets are required to be attached to BBQ before it can be positioned in brickwork.

All installation work must be done by qualified professionals.



Distribuidor oficial para España:

The Barbecue Store

Avda. Carmen Saenz de Tejada, 1

29650 Mijas Costa (Málaga)

Teléfono: 952477152 - 952477161

Fax.: 952580781

Email: dmblico2@telefonica.net

<http://www.thebarbecuestore.es>