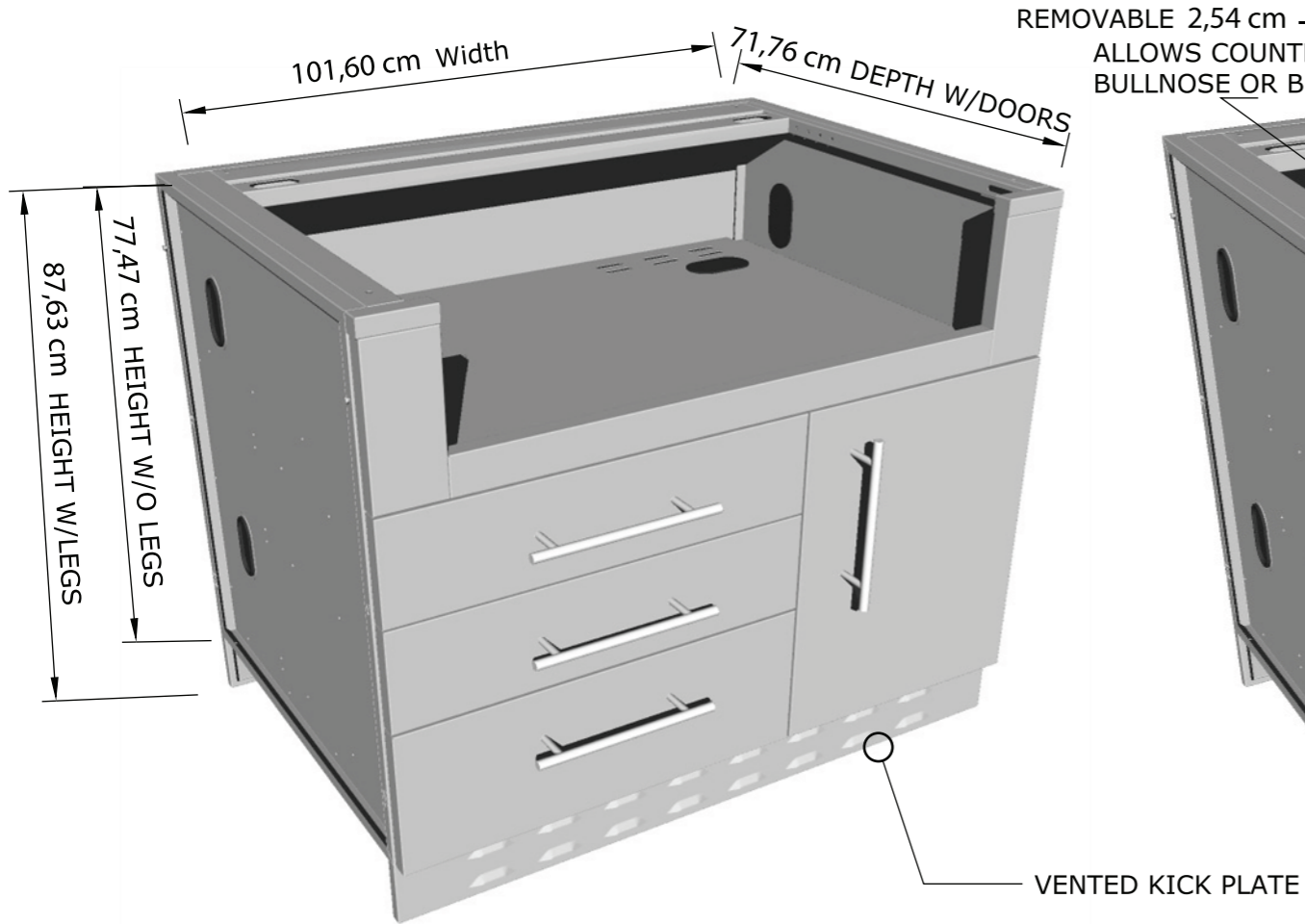
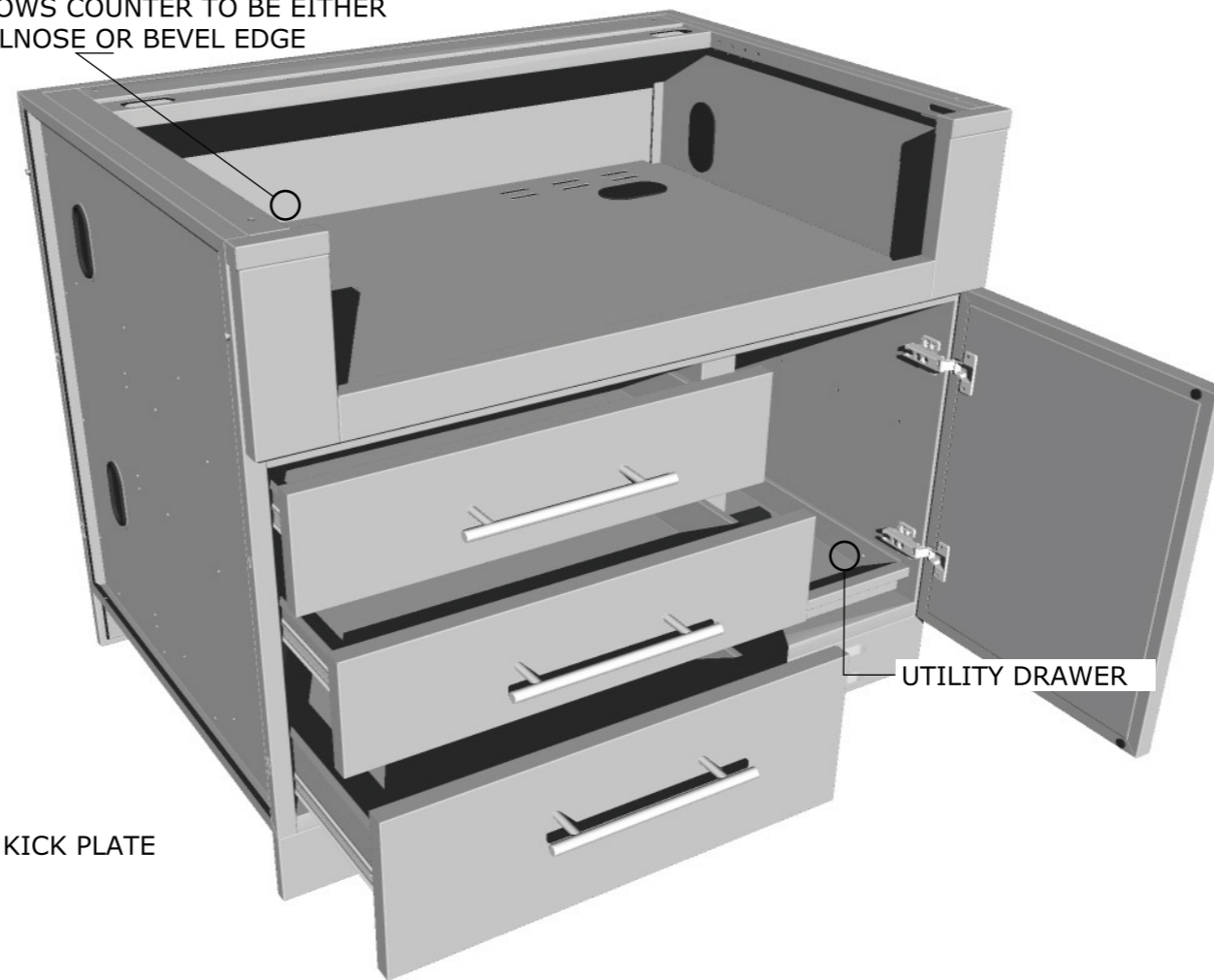


Product Dimensions

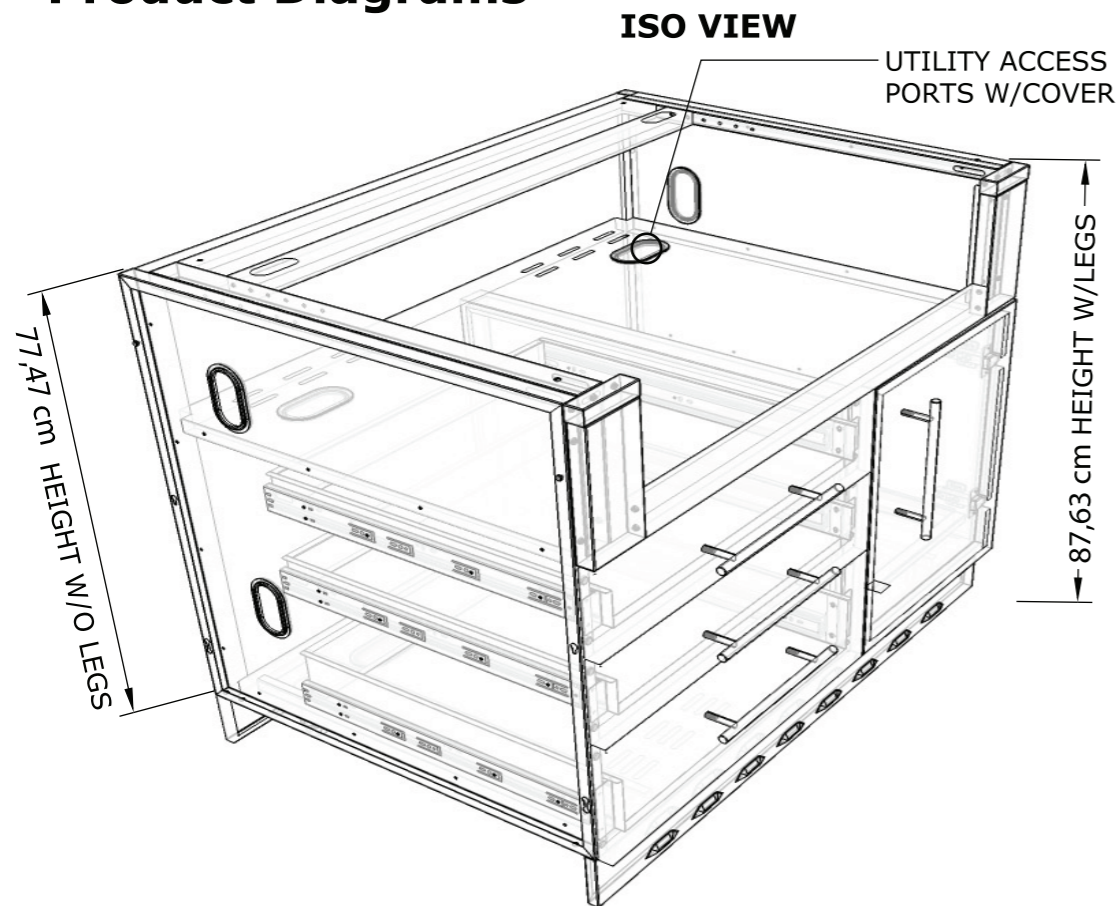


Product Components

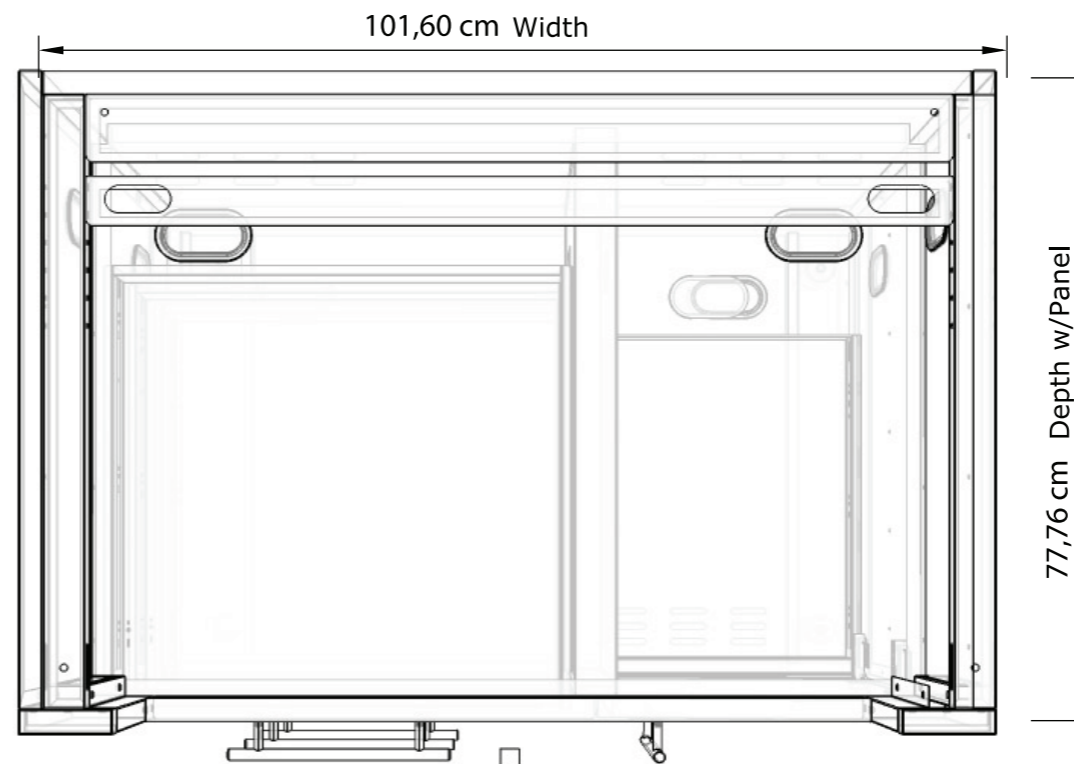
REMOVABLE 2,54 cm - COUNTER RAIL
 ALLOWS COUNTER TO BE EITHER
 BULLNOSE OR BEVEL EDGE



Product Diagrams



TOP VIEW



PRODUCT

**40" Appliance Cabinet for
 Item No. SUN4B/SUN4BIR**

Item No. SAC40GLPCD

DESCRIPTION

40" Appliance Cabinet for Item No.
 SUN4B/SUN4BIR LP/NG & RUBY4B

- Lifetime Structure Warranty
- 304 Stainless Steel Structure
- 304 SS Rod Handles
- Front & Back Kick-Plates
- Easy Pin-Lock Installation
- Soft-Close Drawer Tracks
- Covered Access Ports
- Adjustable Peg-Legs
- Optional Wheel Casters

INCLUDED COMPONENTS

- Front Vented Kick Plate
- Back Solid Kick Plate
- (4) Adjustable Peg Legs
- Trim-Kit - SCC40GTK4.5

PRODUCT DIMENSIONS

101,6 W x 71,75 D x 87,63 H (w/Legs)
 101,6 W x 71,75 D x 77,47 H (without Legs)
 or Upto 91,44 cm Max Adjustable Height

INSERTABLE PRODUCTS

34" 4 BURNER W/IR - SUN4BIR
 34" 4 BURNER - SUN4B
 36" RUBY GRILL - RUBY4B

(See next page Trim Kit Guide for
 other insertable product Brands)

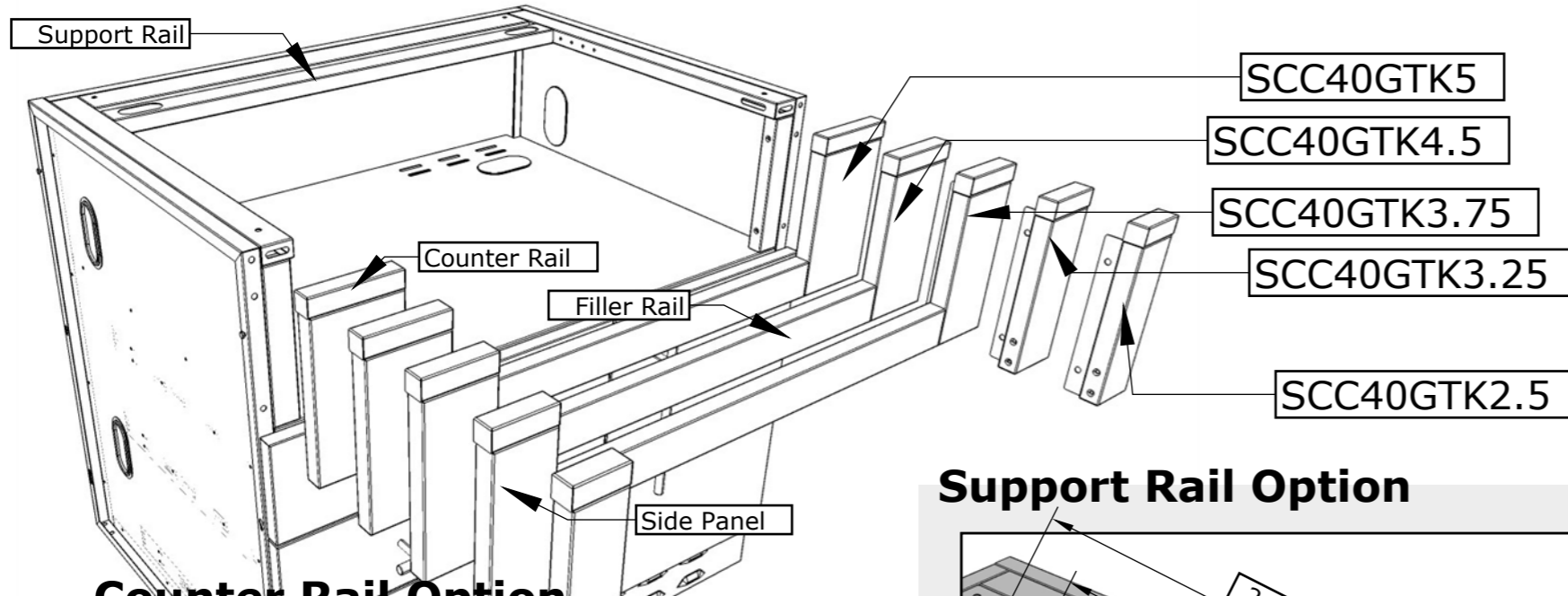
MATERIAL SPECS

304 Stainless Steel entire
 structure, 18 Gauge for Door
 Panel, 18 Gauge for Cabinet
 Box, 18 Gauge for Shelf,
 Handles are made of Solid 304
 Stainless Steel Bar.

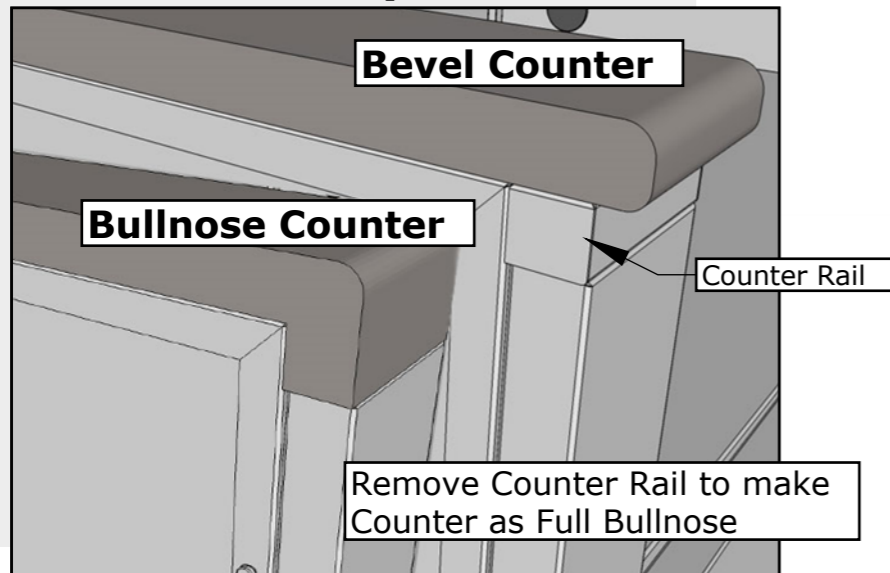
SAC40GLPCD TRIM-KIT

Disclaimer: The trademarks used in the "Product Option" column below belong to their respective owners who do not sponsor nor are they affiliated with Sunstone Metal Products, L.L.C. The specific product Cut-Out Dimensions have not been directly confirmed by any Sunstone Metal Products LLC, representative or employee. Use own discretion to confirm exact product fit.

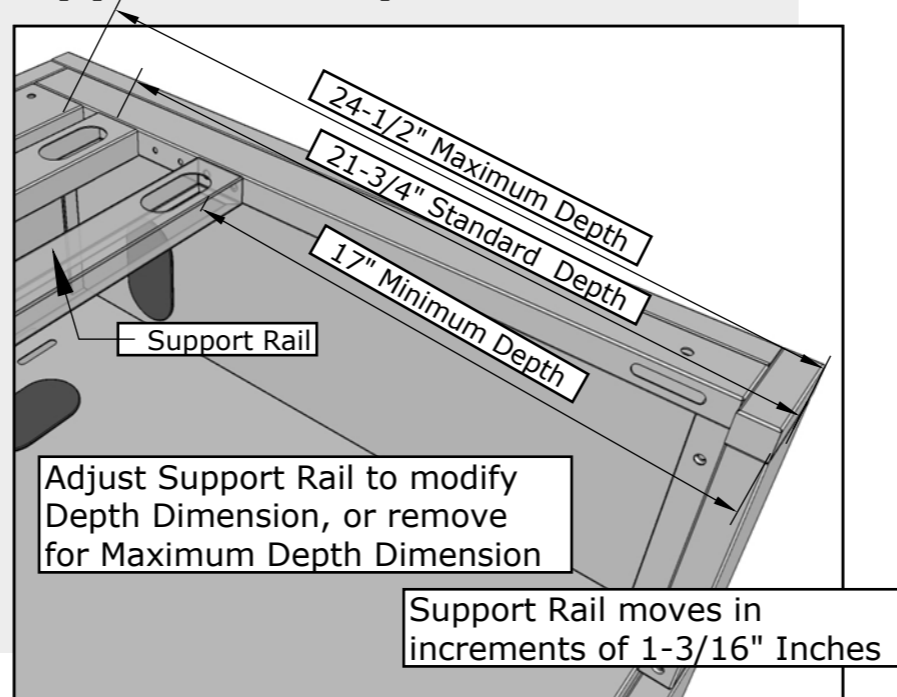
Model Number	Sleeve Cut-Out	Product Option
SCC40GTK2.5	34-1/2" Width x 10-1/4" Height x 24-1/2" Maximum Depth	DCS® 36" Grill, Alfresco® 36" Grill
SCC40GTK3.25	33-1/2" Width x 10-1/4" Height x 24-1/2" Maximum Depth	
SCC40GTK3.75	32-1/4" Width x 8" Height w/Rail or 10-1/4" Height wo/Rail x 24-1/2" Maximum Depth	Sunstone® 4B 36" Ruby® Grill, Blaze® Pro 34" Grill
SCC40GTK4.5	30-7/8" Width x 8" Height w/Rail or 10-1/4" Height wo/Rail x 24-1/2" Maximum Depth	Sunstone® 4B 34" Grill, Steele® 32", AOG® 30", Bull® 30", Lion® 32", Blaze® 32", Coyote® 34"
SCC40GTK5	29-3/4" Width x 8" Height w/Rail or 10-1/4" Height wo/Rail x 24-1/2" Maximum Depth	



Counter Rail Option



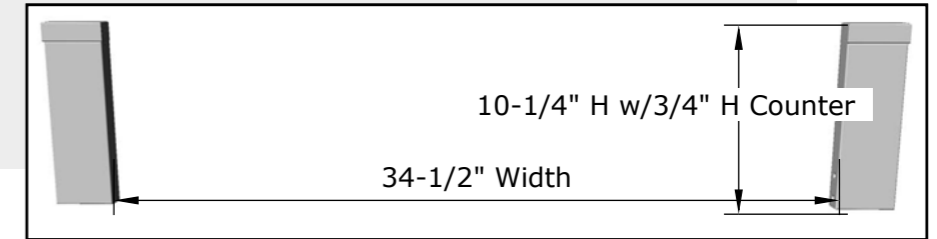
Support Rail Option



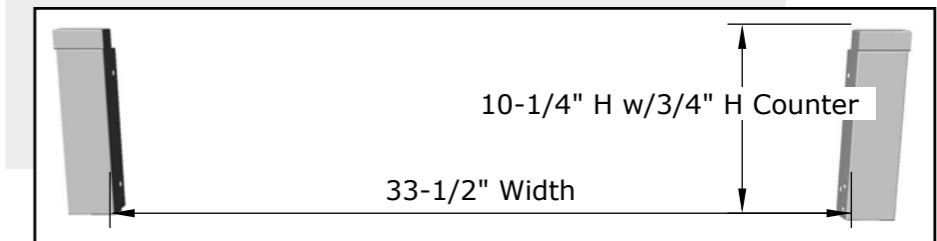
Trim-Kit Sleeve Dimensions

Compatible between 29-3/4" to 34-1/2", 8" to 10 1/4" Max Height with counter at 3/4" Height with Filler Rail installed or removed. (Additional Height can be adjusted by Removing Bottom Filler Rail or by adding a Thicker Counter or Backer Board)

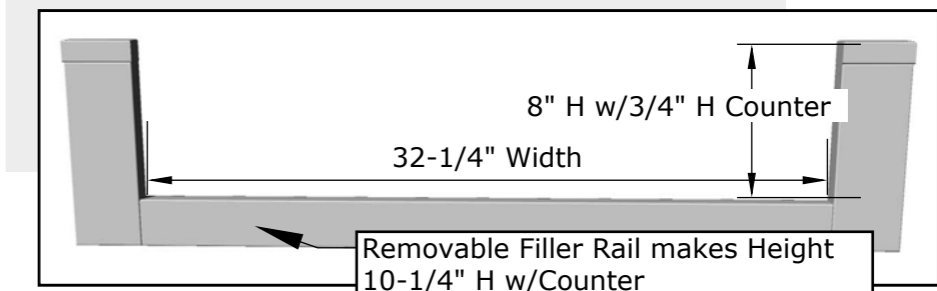
Item No. SCC40GTK2.5



Item No. SCC40GTK3.25

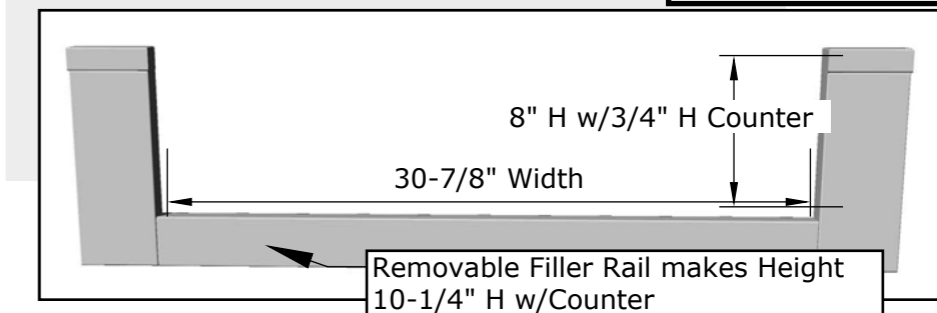


Item No. SCC40GTK3.75

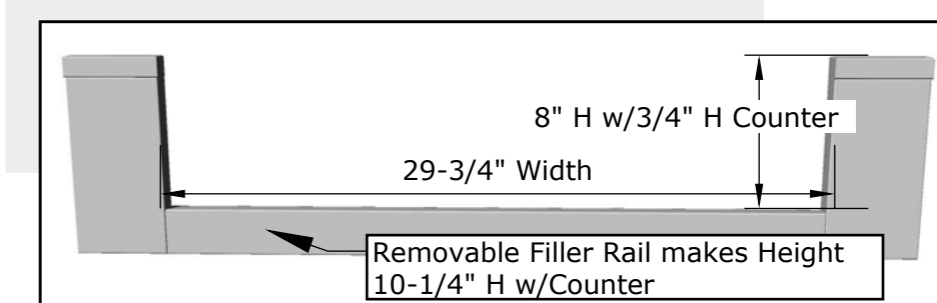


Item No. SCC40GTK4.5

COMES STANDARD



Item No. SCC40GTK5





Distribuidor oficial para España:

**The Barbecue Store
Avda. Carmen Saenz de Tejada, 1
29650 Mijas Costa (Málaga)
Teléfono: 952477152 - 952477161
Fax.: 952580781
Email: dmblico2@telefonica.net
<http://www.thebarbecuestore.es>**