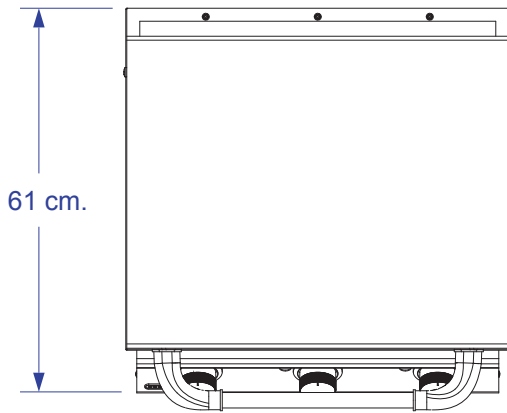
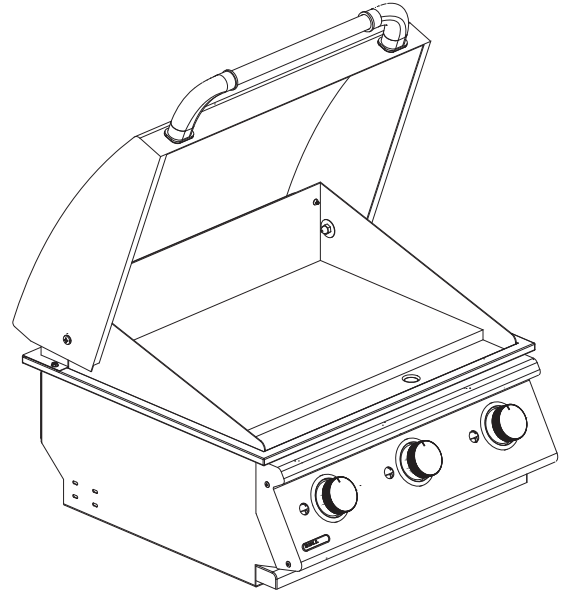




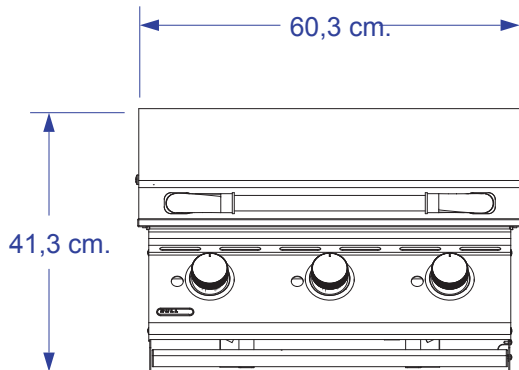
GRIDDLE SPEC SHEET

ITEM# 97008 LP

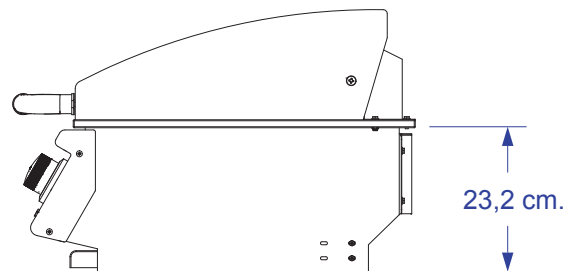
ITEM# 97009 NG



TOP



FRONT



RIGHT

NOTES:

1. CUTOUT DIMENSIONS: 58,10 cm. W X 53,3 cm. D X 24,1 cm. H
2. ISLAND MUST BE CONSTRUCTED OF NON-COMBUSTIBLE MATERIAL.