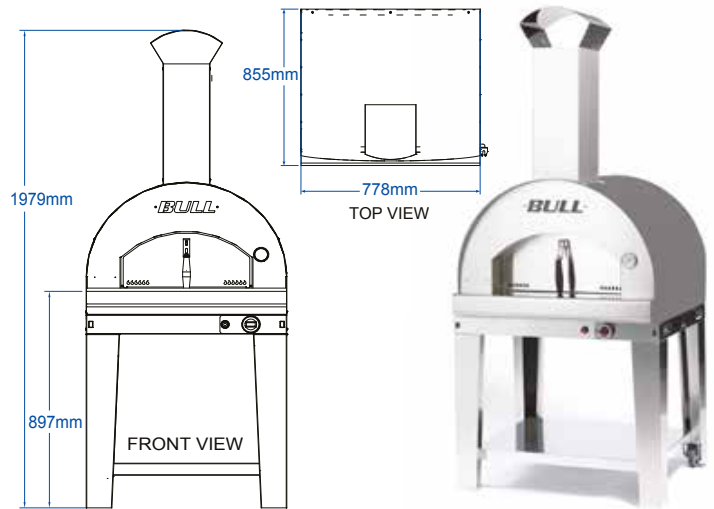


Pizza Ovens

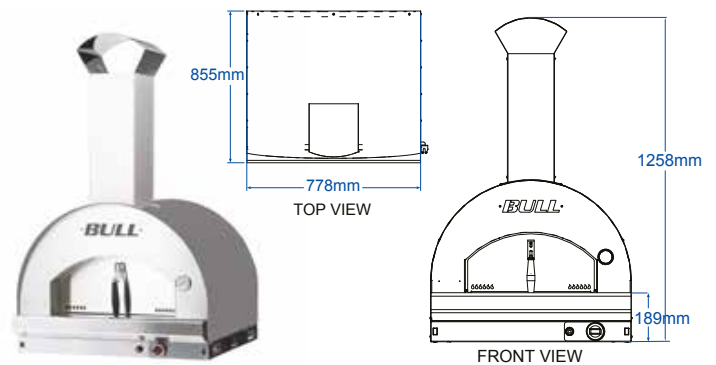
Gas Fired Large

The new Large Pizza Oven is gas-fired and built in Italy with solid welded construction, stainless steel & electro galvanized steel, the internal is nickel/chrome steel and reinforced with 6mm corten refractory plates.

Large Pizza Oven with Cart		#66125CE	
Baking Stone: 60 cm W x 60 cm D. Chimney Stainless steel 316			
Top & Back 304 solid Stainless Steel. Internal Top 2.55mm.			
Internal Bottom 3.00mm thick, 441 Chrome/Nickel Steel.			
Specifications			
Brushed stainless Steel Top			
Dimensions			
L 77.8 cm	D 85.5 cm	H 198 cm	
CTN Length	0.89 Mts	CTN Height	0.93 Mts
CTN Width	0.83 Mts	CTN Weight	130 Kg 1 Pcs



Large Pizza Oven		#66124CE	
Baking Stone: 60 cm W x 60 cm D. Chimney Stainless steel 316			
Top & Back 304 solid Stainless Steel. Internal Top 2.55mm.			
Internal Bottom 3.00mm thick, 441 Chrome/Nickel Steel.			
Specifications			
Brushed stainless Steel Top			
Dimensions			
L 77.8 cm	D 85.5 cm	H 126 cm	
CTN Length	0.89 Mts	CTN Height	0.71 Mts
CTN Width	0.83 Mts	CTN Weight	110 Kg 1 Pcs



Large Cart Only		#66139	
Stainless Steel Unassembled			
Specifications			
Dimensions			
L 77.8 cm	D 78 cm	H 71.8 cm	
CTN Length	0.93 Mts	CTN Height	0.22 Mts
CTN Width	0.73 Mts	CTN Weight	20 Kg 1 Pcs

