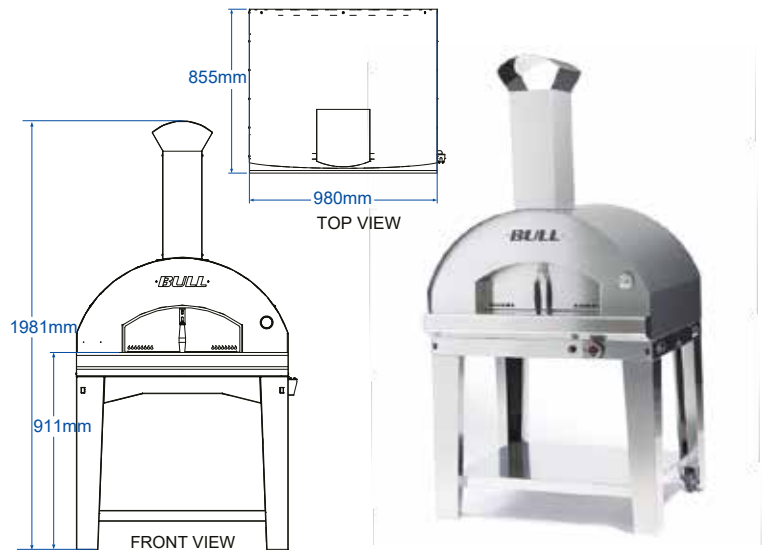


Pizza Ovens

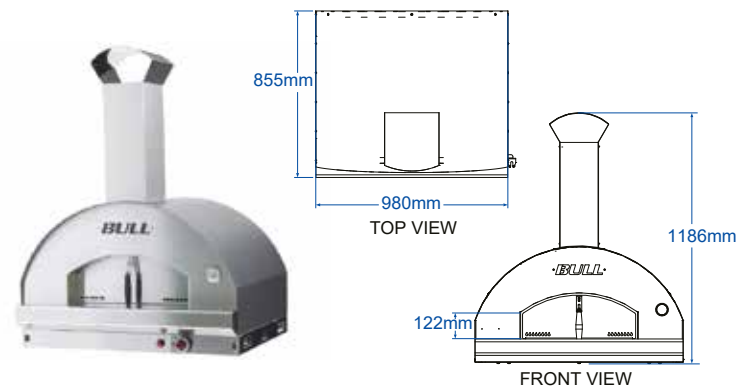
Gas Fired Extra Large

The new Extra Large Pizza Oven is gas-fired and built in Italy with solid welded construction, stainless steel & electro galvanized steel, the internal is nickel/chrome steel and reinforced with 6mm corten refractory plates.

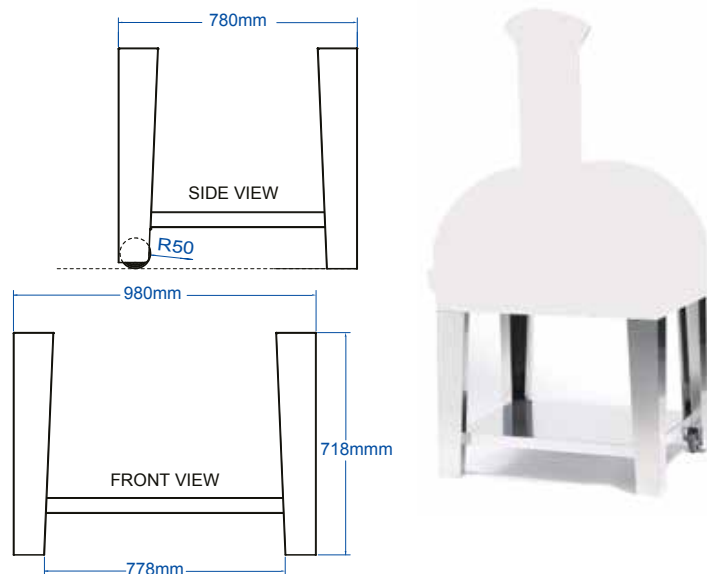
Extra Large Pizza Oven with Cart		#66142CE	
Baking Stone: 80 cm W x 60 cm D. Chimney Stainless steel 316			
Top & Back 304 solid Stainless Steel. Internal Top 2.55mm.			
Internal Bottom 3.00mm thick, 441 Chrome/Nickel Steel.			
Specifications			
Brushed stainless Steel Top			
Dimensions			
L 97.8 cm	D 85.5 cm	H 198 cm	
CTN Length	1.03 Mts	CTN Height	0.93 Mts
CTN Width	0.89 Mts	CTN Weight	147 Kg 1 Pcs



Extra Large Pizza Oven		#66140CE	
Baking Stone: 80 cm W x 60 cm D. Chimney Stainless steel 316			
Top & Back 304 solid Stainless Steel. Internal Top 2.55mm.			
Internal Bottom 3.00mm thick, 441 Chrome/Nickel Steel.			
Specifications			
Brushed stainless Steel Top			
Dimensions			
L 97.8 cm	D 85.5 cm	H 126 cm	
CTN Length	1.03 Mts	CTN Height	0.71 Mts
CTN Width	0.89 Mts	CTN Weight	127 Kg 1 Pcs



Extra Large Cart Only		#66141	
Specifications			
Dimensions			
L 98.0 cm	D 78 cm	H 71.8 cm	
CTN Length	0.93 Mts	CTN Height	0.22 Mts
CTN Width	.073 Mts	CTN Weight	20 Kg 1 Pcs





Distribuidor oficial para España:

**The Barbecue Store
Avda. Carmen Saenz de Tejada, 1
29650 Mijas Costa (Málaga)
Teléfono: 952477152 - 952477161
Fax.: 952580781
Email: dmblico2@telefonica.net
<http://www.thebarbecuestore.es>**