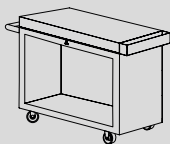
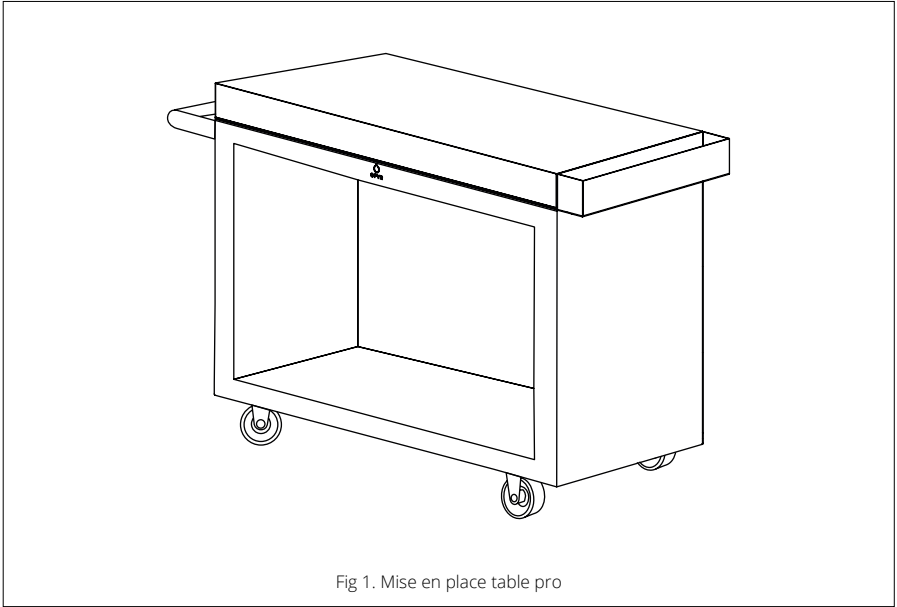


MANUAL



OFYR® MANUAL MISE EN PLACE TABLE PRO

THANK YOU SO MUCH FOR BUYING AN OFYR® PRODUCT. THIS MANUAL CONTAINS SETUP INSTRUCTIONS, WARRANTY CONDITIONS, AND ADDITIONAL INFORMATION ABOUT YOUR OFYR MISE EN PLACE TABLE PRO.



MISE EN PLACE TABLE PRO

Equipped with a handle, 2 swivel casters (on the side of the handle) and 2 rigid casters, the OFYR® Mise en Place Table PRO (see fig. 1) includes a solid wood chopping board for food preparation, handy accessories tray and options for under-counter wood storage. The wooden board must be cleaned by hand and must not be treated with any corrosive substances. After you clean it, we recommend that you store it inside, in a dry place with low humidity. Large temperature differences may cause the wood to warp. We strongly advise against leaving the wooden board outside. Please note that wood is a natural product and is always liable to warp somewhat. We are not liable for any wood warping that may occur. The wooden board on the Mise en Place Table PRO is equipped with magnets, ensuring that the wooden board stays in place and yet can be easily removed once you are done cooking.

Disclaimers

CORROSION

With the exception of the cooking plates, adjustable feet, hinges, screws, and the magnets underneath the wooden planks, all steel elements of the OFYR® collection are made of Corten steel. Corten steel is a type of steel that corrodes very rapidly, and it is precisely this corrosion that protects it against rust perforation. If you allow nature to take its course, it will take 6-12 months for these Corten steel elements to corrode, depending on their location and the humidity level. Unlike many manufacturers of Corten steel products, we provide buyers of our products with an additional service by making sure that the corrosion process has already started by the time our products are delivered. Depending on their location and the humidity level, it will take another 3-6 months for this superficial corrosion to turn into a proper layer of corrosion. However, this does not guarantee an entirely smooth layer of corrosion. Therefore, any Corten steel elements that are less corroded than others upon delivery are not eligible for replacement. After all, they will corrode naturally over time under influence of the weather. While the corrosion is still superficial, the Corten steel elements may cause orange stains on clothes, skin, and the surface they stand on. When it rains, corrosive water may also run off these elements, which may permanently stain light-toned stone or wooden surfaces. Under normal circumstances, the Corten steel will gradually develop a smooth, dark brown layer of corrosion that will not chip. However, this layer may chip in locations near the sea or the shore due to the high levels of salinity in such locations. The chipping will not cause any damage, but the chipped corrosion must be removed to prevent corrosion from forming on the surface the OFYR® unit is placed on.

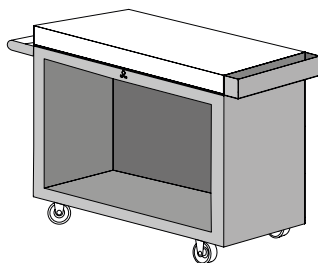
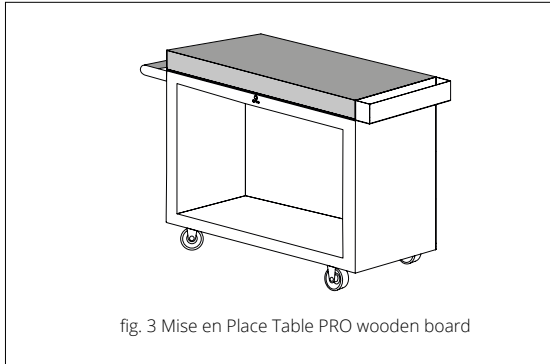


fig. 2 Mise en Place Table PRO BASE

WOODEN BOARDS

Some OFYR® products include wooden boards to be used as seating or work surface. None of those should be left outside for extended periods of time. Humid weather may cause them to warp and/or crack. We therefore recommend that you store these boards inside in a dry place after each use. We do not recommend leaving them outside at night, as the weather tends to be humid then. The work surfaces can be used as cutting boards, but should not be used as chopping blocks. If sharp or heavy objects are used to exert great force on these surfaces, these will become irreparably damaged. We do not accept liability for any damage resulting from incorrect use of wooden boards. Please note that you should not place OFYR® products with wooden elements directly next to any heat source, including any of our OFYR® cooking units, because the heat may cause damage to the wood or cause it to warp.



Warranty terms per element

A limited lifetime warranty applies to the material and construction of all steel elements of all OFYR® units for the original buyers or owners, provided that they purchased their unit from an authorised dealer and registered their warranty in the required manner.

	B2C	B2B
WEATHERED STEEL ELEMENTS, EXCEPT THE WEATHERED STEEL CONE	5 YEARS	3 YEARS
WOODEN BLOCKS AND PLANKS	2 YEAR	1 YEAR
PLASTIC ELEMENTS	2 YEARS	1 YEAR
IRON ELEMENTS	2 YEAR	1 YEAR

Dimensions

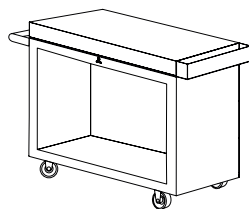
MISE EN PLACE TABLE PRO

MP-PRO

Material	Handle	Corten steel & thermal beech wood
	Base	Corten steel
	Tooltray	Corten steel
	Tabletop	Thermal beech wood

Wheels	2x swivel casters
	2x rigid casters

Dimensions	Handle	19,5 x 65 x Ø 5 cm
	Base	135 x 65 x 67,5 cm
	Tooltray	10 x 65 cm
	Tabletop	135 x 65 x 9 cm

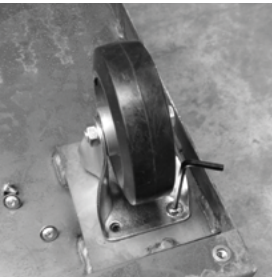
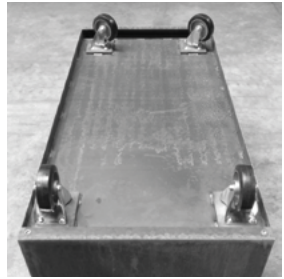
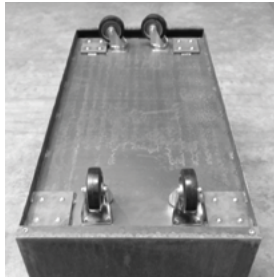
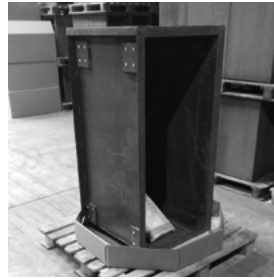
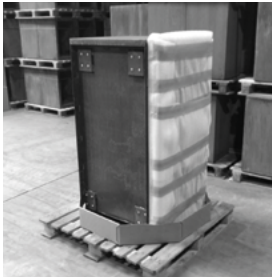


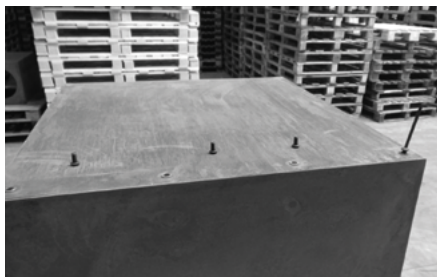
Total Height	89,7 cm
---------------------	---------

Total Weight	139 kg
---------------------	--------

Building instructions

MISE EN PLACE TABLE PRO





When turning the base on its side in order to mount the wheels don't do so by holding the handle. The handle is strong enough to pull and push the table on the wheels but not to turn it on its side.

For further information, please contact
one of our official distributors as listed
in our online Store Locator:
www.ofyr.com/store-locator

Copyright OFYR.

All rights reserved.

Creative Outdoor Products B.V.

Gewenten 43A
4704 RE Roosendaal
Nederland

+31 (0)165 74 31 10
info@ofyr.com
www.ofyr.com

The design of some OFYR products have EU registration
under no 002580431-0001/2 and no 003122373-0001.
A US Design patent is registered under no US D798,099 S.

