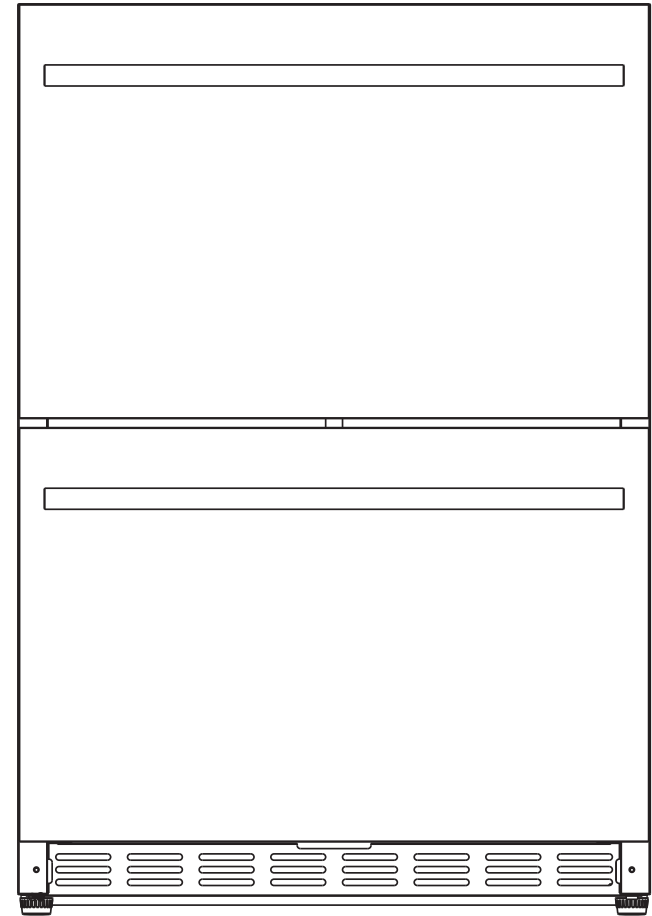




INSTRUCTION MANUAL

BEFORE USE PLEASE READ AND FOLLOW ALL SAFETY RULES AND OPERATING INSTRUCTIONS.



2 Finding Information

Please Read and Save This Guide

Thank you for choosing our refrigerator drawer. This Use & Care Guide is part of our commitment to customer satisfaction and product quality throughout the service life of your new refrigerator drawers.

We view your purchase as the beginning of a relationship. To ensure our ability to continue serving you, please use this page to record key product information.

IMPORTANT

PLEASE READ all instructions completely before attempting to install or operate the unit. All refrigerator drawers require a connection to an electrical power source. Improper hook-up can result in a safety hazard and potential damage to the product or contents! Proper installation, in accordance with the manufacturer's specifications and all local codes, is the sole responsibility of the consumer. The manufacturer is not responsible for any installation expenses or damages incurred due to improper installation. If you are unsure of your ability to safely connect electric power to the unit, consult a licensed and insured professional to perform all electrical work.

Once you have your unit installed, we suggest you keep this manual in a safe place for future reference. Should any problems occur, refer to the "Troubleshooting" section of this manual. This information will help you quickly identify a problem and get it remedied. In the event you require assistance, please contact the dealer where you purchased your unit.

Appliance turns itself on and off frequently.	The room temperature is higher than average. A large amount of food has been added to the unit. The drawer is open too often. The drawer is not closed completely. The drawer gasket does not seal properly.	Put the appliance in a cooler place. Leave the appliance to work for a while until the set temperature has been reached. Do not open more than necessary. Close drawer properly. Check the drawer seal and clean/replace.
The light does not work.	Appliance is not connected to a power supply. Tripped circuit break or blown a fuse. The light was switched off on the control panel.	Connect the appliance. Switch on circuit breaker or replace fuse. Switch on the light.
Vibrations	The appliance is not properly leveled.	Level the appliance with the adjustable feet.
The appliance seems to make too much noise.	The rattling may come from the flow of the refrigerant, which is normal. As each cycle ends, you may hear gurgling sounds caused by the flow of refrigerant in your appliance. If temperature fluctuations occur, the contraction and expansion of the inner walls may cause popping and cracking noises.	
	The appliance is not properly level.	Level the appliance with the adjustable feet.
The drawer will not close properly.	The appliance is not properly level. The drawer was reversed and not properly installed. The gasket is dirty.	Level the appliance with the adjustable feet. Check the drawer hinge and reassemble correctly. Clean the drawer gasket.

Table of Contents


Finding Information 2
 Please Read and Save This Guide..... 2
 Safety 4
 Important Safety Instructions 4
 Safety Precautions 4
 Definitions 4
 General Precautions 4
 Installation 5
 Installing the Refrigerator Drawers 5
 Site Preparation 6
 Leveling the Unit 6
 Operation Controller 7
 Maintenance 8
 Removing your Refrigerator Drawers 8
 To Remove Top Drawer 8
 To Remove Bottom Drawer 8
 Maintaining Refrigerator Drawers 8
 Exterior Cleaning for Your Stainless Steel Model 8
 Interior Cleaning 8
 Troubleshooting 9
 Before You Call for Service 9
 If Service is Required 9

Important Safety Instructions

Safety Precautions

Do not attempt to install or operate your unit until you have read the safety precautions in this manual. Safety items throughout this manual are labeled with a Danger, Warning, or Caution based on the risk type.

Definitions

 This is the safety alert symbol. It is used to alert you to potential personal injury hazards. Obey all safety messages that follow this symbol to avoid possible injury or death.

DANGER

DANGER indicates an imminently hazardous situation which, if not avoided, will result in death or serious injury.

WARNING

WARNING indicates a potentially hazardous situation which, if not avoided, could result in death or serious injury.

CAUTION

CAUTION indicates a potentially hazardous situation which, if not avoided, may result in minor or moderate injury.

IMPORTANT

Indicates installation, operation, or maintenance information which is important but not hazard-related.

General Precautions

WARNING

RISK OF CHILD ENTRAPMENT. Before you throw away your old appliance, take off the doors and leave shelves in place so that children may not easily climb inside.

WARNING

- Never attempt to repair or perform maintenance on the unit until the electricity has been disconnected.
- Altering, cutting of power cord, removal of power cord, removal of power plug, or direct wiring can cause serious injury, fire and/or loss of property and/or life and will void the warranty.
- Do not lift unit by door handle.

CAUTION

- Use care when moving the unit. Some edges are sharp and may cause personal injury. Wear gloves when moving or repositioning the unit.
- Never install the unit behind closed doors. Be sure front grille is free of obstruction. Obstructing free air flow can cause the unit to malfunction and may void the warranty.
- Allow unit temperature to stabilize for 24 hours before use.

CAUTION

- Use only genuine replacement parts. Imitation parts can damage the unit and may void the warranty.

CAUTION

- Stainless steel models exposed to chlorine gas and moisture such as areas with spas or swimming pools, may have some discoloration of the stainless steel. Discoloration from chlorine gas is normal. Follow exterior cleaning instructions.
- NEVER USE CHLORIDETO CLEAN STAINLESS STEEL.

Interior Cleaning - as Required

- 1 Disconnect power to the refrigerator drawers.
- 2 Wipe down the interior with a solution of non-abrasive mild detergent and warm water.
- 3 Rinse with clear water.
- 4 Reconnect power to the unit.

Before You Call for Service

If the unit appears to be malfunctioning, read through this manual first. If the problem persists, check the Troubleshooting Guide below. Locate the problem in the guide and refer to the cause and its remedy before calling for service. The problem may be something very simple that can be solved without a service call. Some remedies listed in the Troubleshooting Guide are very complex. Consulting or contracting a qualified service technician may be necessary.

WARNING

ELECTROCUTION HAZARD

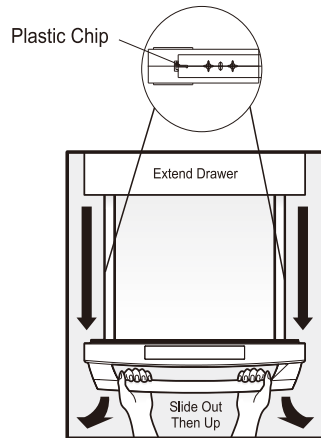
NEVER attempt to repair or perform maintenance on the unit until the main electrical power has been disconnected.

PROBLEM	POSSIBLE CAUSE	REMEDY
Appliance does not operate.	Appliance is not connected to a power supply. The appliance is turned off. Tripped circuit breaker or blown a fuse.	Connect the appliance. Switch on the appliance. Switch on circuit breaker or replace fuse.
Appliance is not cold enough.	The temperature is not set correctly. Temperature could require a lower temperature setting. The drawer was not closed completely. Drawer is not hermetically sealed. The condenser is too dirty. The ventilation opening is blocked or too dusty.	Check the set temperature. Set a lower temperature. Do not open the drawer more often than necessary. Close drawer properly. Check the drawer seal and clean/replace. Clean the condenser when necessary. Clear the obstructions, clean the dust.

Removing Your Refrigerator Drawers

To remove drawer:

1. Fully extend drawer.
2. pull up the plastic chip on the left side of drawer
pull down the plastic chip on the right side of drawer
3. Remove drawer by sliding forward 1/2" and pull up.
4. Reverse procedure to reinstall drawer.



Maintaining Your Refrigerator Drawers

Periodic cleaning and proper maintenance will ensure efficiency, top performance, and long life. The maintenance intervals listed are based on normal conditions. You may want to shorten the intervals if you have pets or other special considerations.

Exterior Cleaning for Your Stainless Steel Model

- Your stainless steel model may discolor when exposed to chlorine gas, pool chemicals, salt water, or cleaners with bleach.
- Keep your stainless unit looking new by cleaning with a high quality, all-in-one stainless steel cleaner/polish on a monthly basis. Frequent cleaning will remove surface contamination that could lead to rust. Some installations will require cleaning on a weekly basis.
- DO NOT CLEAN WITH STEELWOOL PADS.
- DO NOT USE CLEANERS THAT ARE NOT SPECIFICALLY INTENDED FOR STAINLESS STEEL (this includes glass, tile and counter cleansers).
- If any surface discolors or rusting appears, clean it quickly with Bon-Ami or Barkeepers Friend Cleanser and a non-abrasive cloth. Always clean in the direction of the grain. Always finish this process with a high quality, all-in-one stainless steel cleaner/polish to prevent further problems.
- USE OF ABRASIVE PADS SUCH AS SCOTCHBRITE WILL CAUSE THE GRAINING IN THE STAINLESS TO BECOME BLURRED.
- Rust that is allowed to linger can penetrate into the surface of the stainless steel and become impossible to remove.

Installing the Refrigerator Drawers

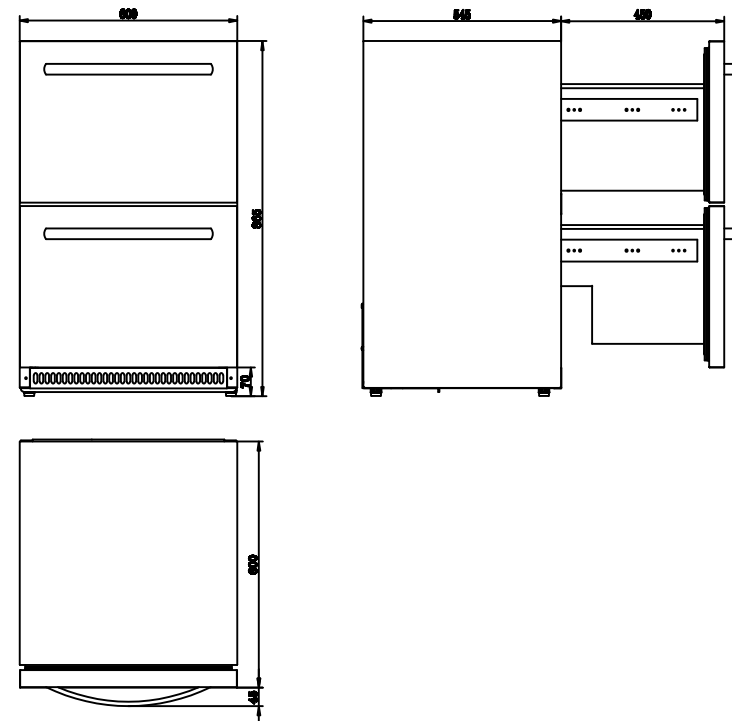
Your refrigerator drawers have been designed for built-in installation. When built-in, your refrigerator drawers do not require additional air space for top, sides, or rear. The front grille must NOT be obstructed.

NOTE

To ease unit installation and removal, it is recommended that the cabinet rough opening dimensions be increased by at least 1/4 inch over the dimensions given for your unit.

Unit Dimensions

Width	Height	Depth
600mm	865mm	545mm



Product Dimensions

Site Preparation

- 1 Position the unit on a flat, level surface capable of supporting the entire weight of the unit. Remember the unit will be significantly heavier once it is fully loaded.
- 2 Avoid connecting the unit to a Ground Fault Interruptor (GFI). GFIs are prone to nuisance tripping which will cause the unit to shut down. GFIs are generally not used on circuits which power equipment that must run unattended for long periods of time.
- 3 The unit must be installed according to your local codes and ordinances.

⚠ WARNING

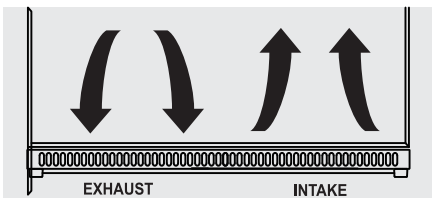
ELECTROCUTION HAZARD!

Electrical Grounding Required - This appliance is equipped with a three prong (grounding) polarized plug for your protection against possible shock hazards.

- NEVER remove the round grounding prong from the plug.
- NEVER use a two-prong grounding adapter.
- NEVER use an extension cord to connect power to the unit.

Where a two-prong wall receptacle is encountered or a longer power cord is required, contact a qualified electrician to have it replaced in accordance with applicable electrical codes.

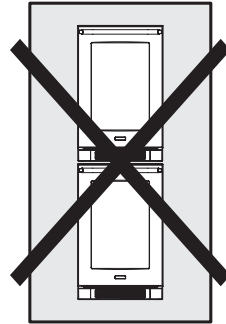
- 5 Position the unit to allow free air flow through the front grille.



- 6 Wipe out inside of unit with a damp cloth.
- 7 Be sure to install the Anti-Tip bracket. Follow the instructions provided with the Anti-Tip bracket kit.

⚠ WARNING

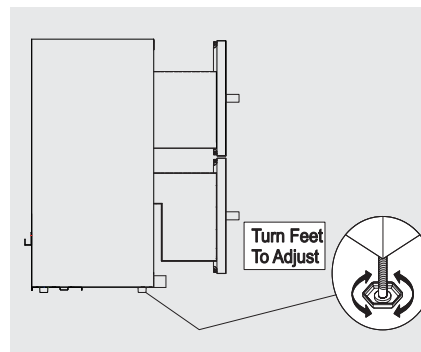
The Anti-Tip Kit must be installed on this unit before it is used. Double stacking units may cause serious personal injury.



Leveling the Unit

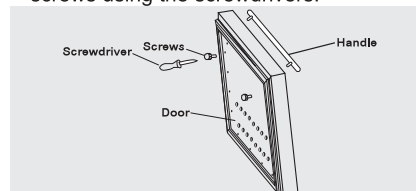
Position the unit on a flat, level surface capable of supporting the entire weight of the unit when full.

This unit contains four (4) adjustable leveling legs. Turn the legs clockwise to raise and counterclockwise to lower.

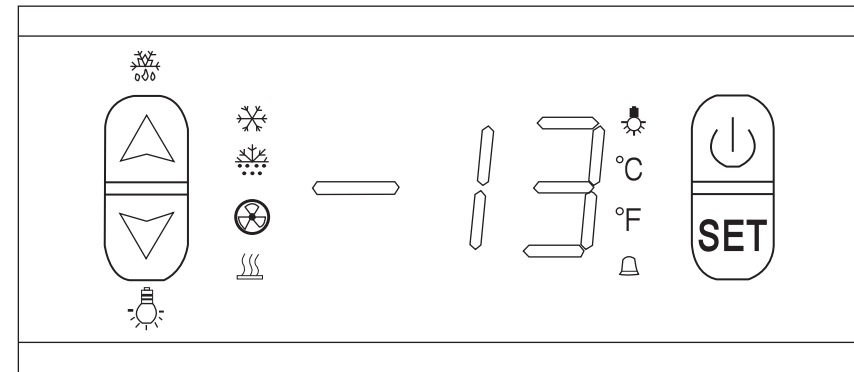


Installing Handle

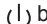
- Put the screws on the top of door where the handle is to be installed.
- Align the handle with screws, tighten the screws using the screwdrivers.





The electronic controller is located inside, It looks like this:




Power on/off

Press  button to power on, then long press for 3 seconds to power off, and display "----".

Temperature adjustment

Press **SET** button, it will flash and display the temperature, then press  or  to adjust the temperature. Once complete adjusted, press **SET** again exit program.

Lighting

Press  turn on and turn off lighting.



Distribuidor oficial para España:

The Barbecue Store
Avda. Carmen Saenz de Tejada, 1
29650 Mijas Costa (Málaga)
Teléfono: 952477152 - 952477161
Fax.: 952580781
Email: dmbrico2@telefonica.net
http://www.thebarbecuestore.es