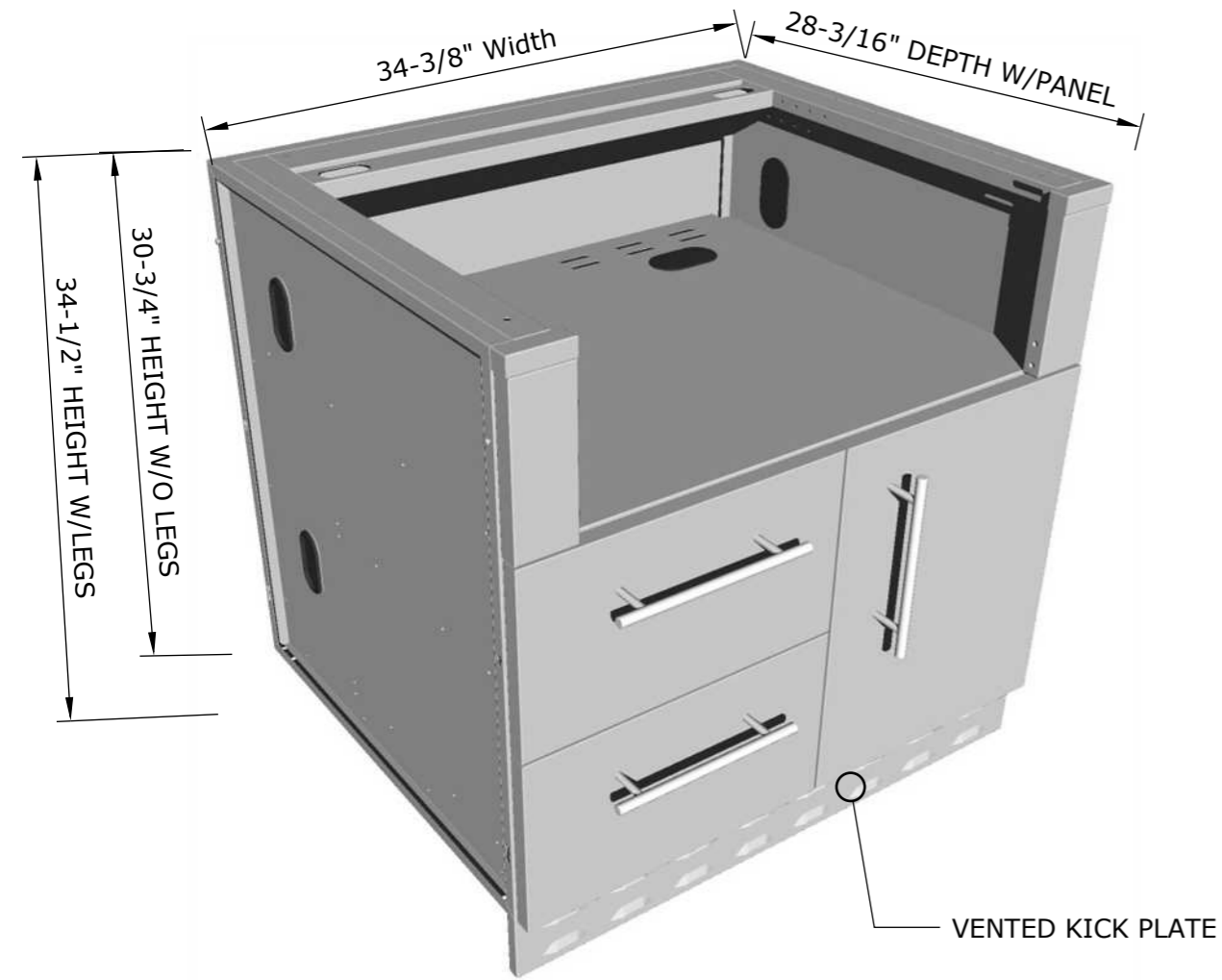
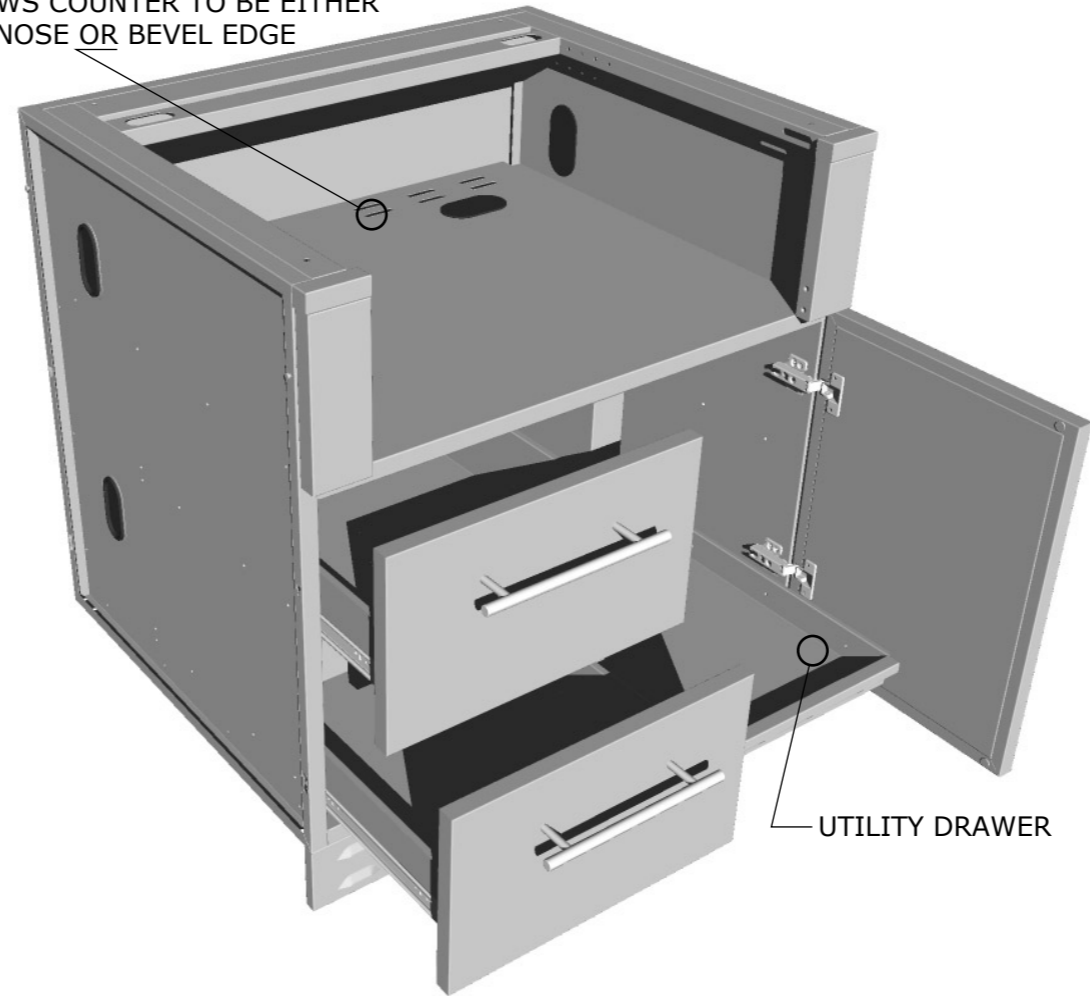


Product Dimensions



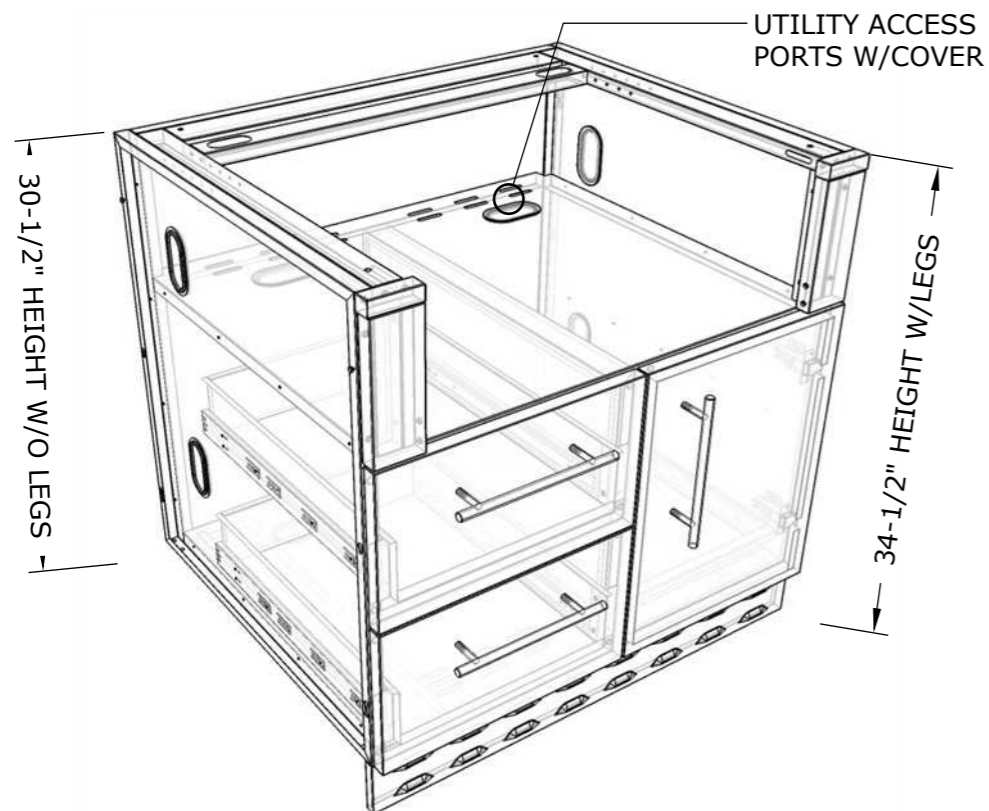
Product Components

REMOVABLE 1" - COUNTER RAIL
ALLOWS COUNTER TO BE EITHER
BULLNOSE OR BEVEL EDGE

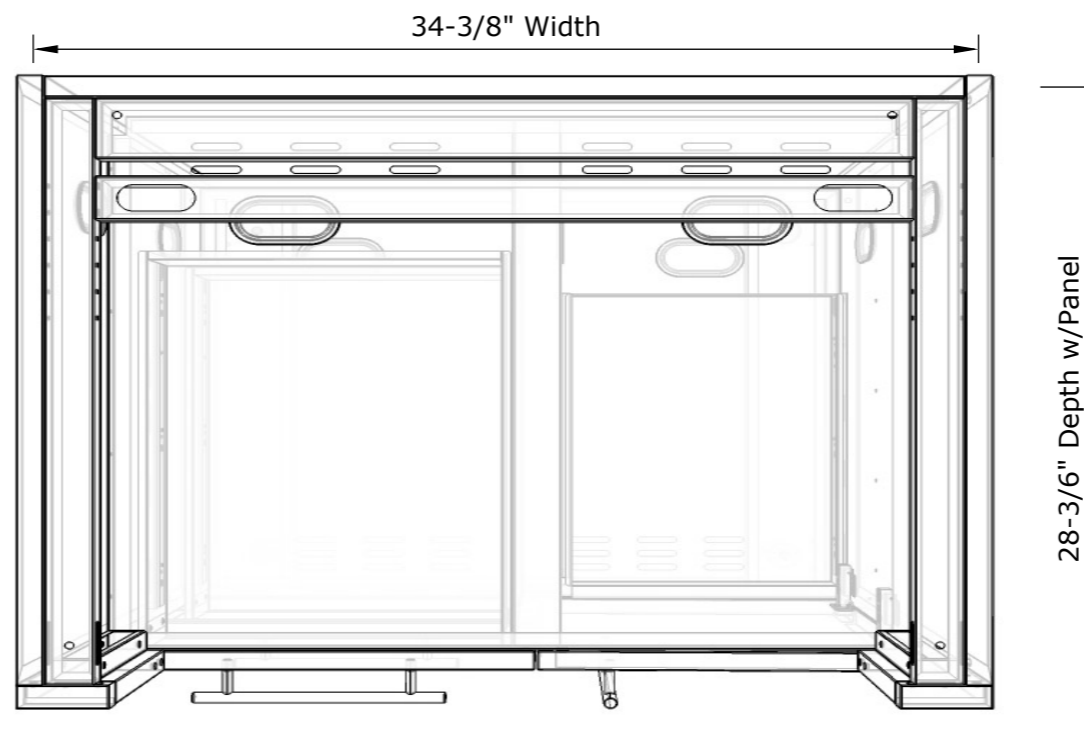


Product Diagrams

ISO VIEW



TOP VIEW



SUNSTONE METAL PRODUCTS



PRODUCT

34" Appliance Cabinet

Item No. SAC34GLPCD

DESCRIPTION

34" Appliance Cabinet for Item No. SUN3B/SUN3BIR & RUBY3B

- Lifetime Structure Warranty
- 304 Stainless Steel Structure
- 304 SS Rod Handles
- Front & Back Kick-Plates
- Easy Pin-Lock Installation
- Soft-Close Drawer Tracks
- Covered Access Ports
- Adjustable Peg-Legs
- Optional Wheel Casters

INCLUDED COMPONENTS

- Front Vented Kick Plate
- Back Solid Kick Plate
- (4) Adjustable Peg Legs

PRODUCT DIMENSIONS

34-3/8"W x 28-3/16"D (w/Panel)
x 34-1/2"H (w/Legs) or 30-3/4"H
(no Legs) or Upto 36" Max
Adjustable Height

INSERTABLE PRODUCTS

28" 3 BURNER W/IR - SUN3BIR
28" 3 BURNER - SUN3B
30" RUBY GRILL - RUBY30

(See next page Trim Kit Guide for
other insertable product Brands)

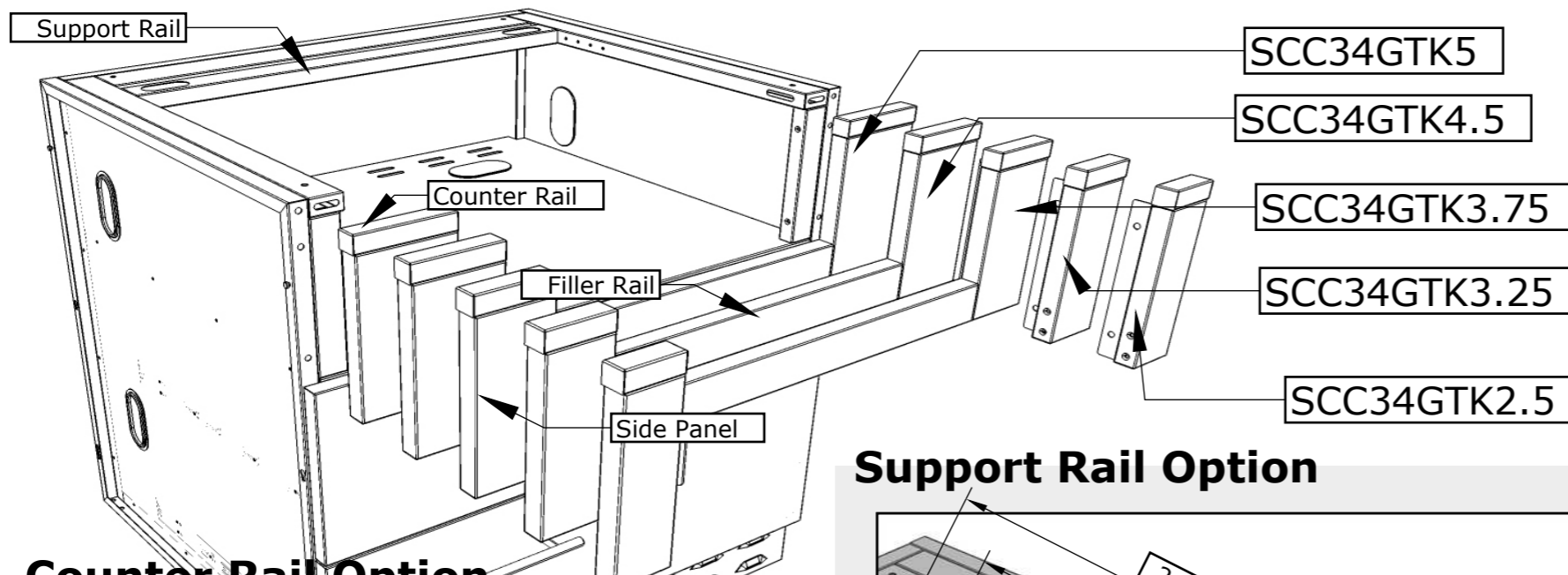
MATERIAL SPECS

304 Stainless Steel entire
structure, 18 Gauge for Door
Panel, 18 Gauge for Cabinet
Box, 18 Gauge for Shelf,
Handles are made of Solid 304
Stainless Steel Bar.

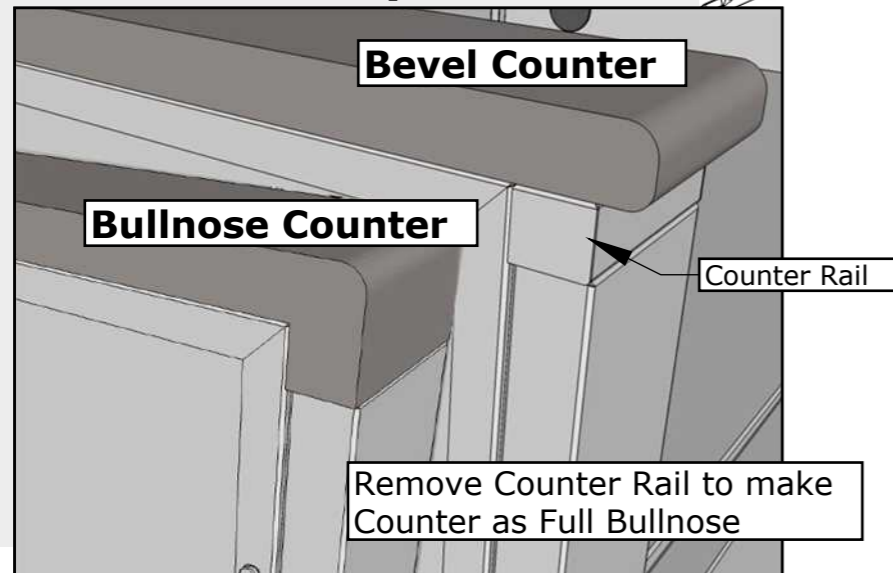
SAC34GLPCD TRIM-KIT

Disclaimer: The trademarks used in the "Product Option" column below belong to their respective owners who do not sponsor nor are they affiliated with Sunstone Metal Products, L.L.C. The specific product Cut-Out Dimensions have not been directly confirmed by any Sunstone Metal Products LLC, representative or employee. Use own discretion to confirm exact product fit.

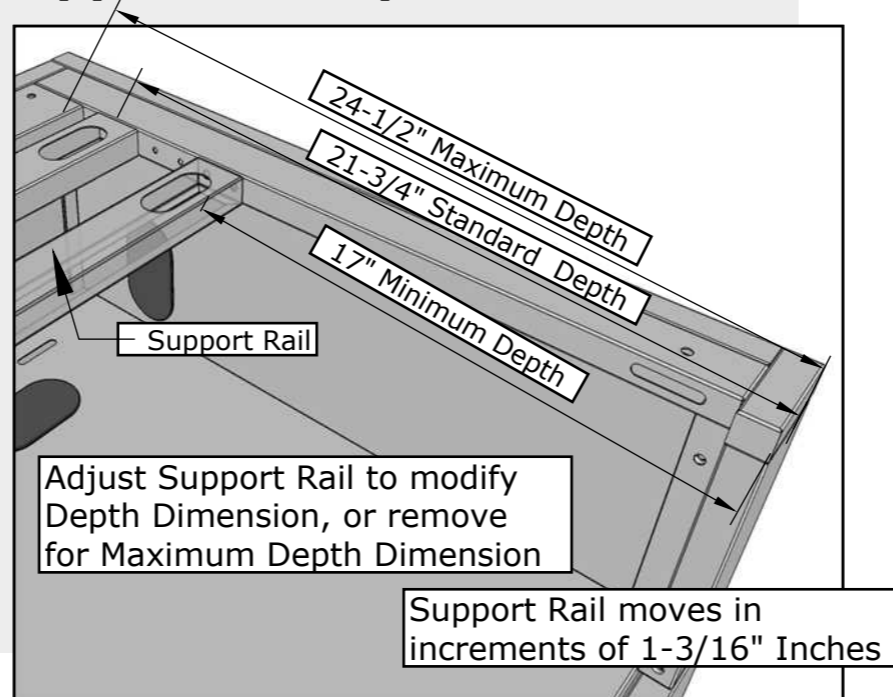
Model Number	Sleeve Cut-Out	Product Option
SCC34GTK2.5	28-1/2" Width x 10-1/4" Height x 24-1/2" Maximum Depth	Alfresco® 30", Twin Eagles® 30" Breakfast Club®, Twin Eagles® 30" Teppanyaki Grill®, DCS® 30" Grill
SCC34GTK3.25	27-1/2" Width x 10-1/4" Height x 24-1/2" Maximum Depth	Evo® 30" Affinity Circular Cooktop Sunstone® Ruby 30" Grill
SCC34GTK3.75	26-3/8" Width x 8" Height w/Rail or 10-1/4" Height wo/Rail x 24-1/2" Maximum Depth	
SCC34GTK4.5	25" Width x 8" Height w/Rail or 10-1/4" Height wo/Rail x 24-1/2" Maximum Depth	Sunstone® 28" Grill, Coyote® 28" grill
SCC34GTK5	23-7/8" Width x 8" Height w/Rail or 10-1/4" Height wo/Rail x 24-1/2" Maximum Depth	Steele® 26" Grill



Counter Rail Option



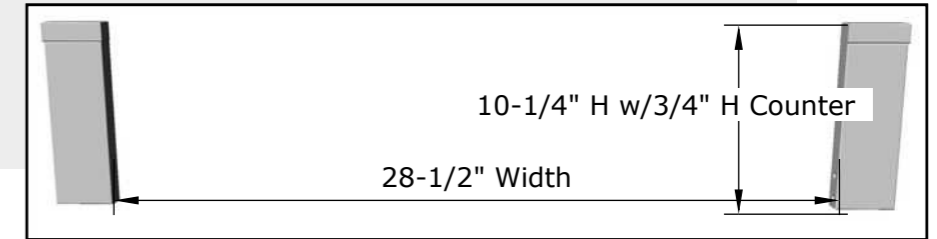
Support Rail Option



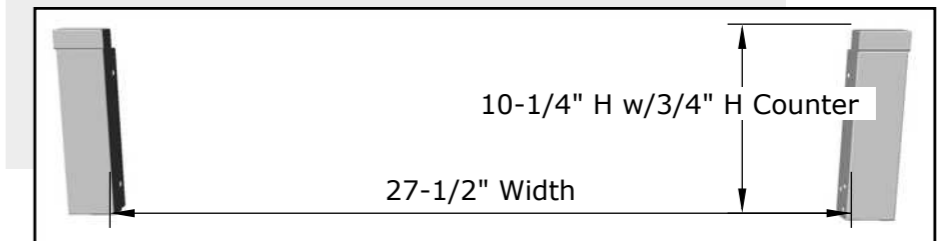
Trim-Kit Sleeve Dimensions

Compatible between 23-7/8" to 28-1/2", 8" to 10 1/4" Max Height with counter at 3/4" Height with Filler Rail installed or removed. (Additional Height can be adjusted by Removing Bottom Filler Rail or by adding a Thicker Counter or Backer Board)

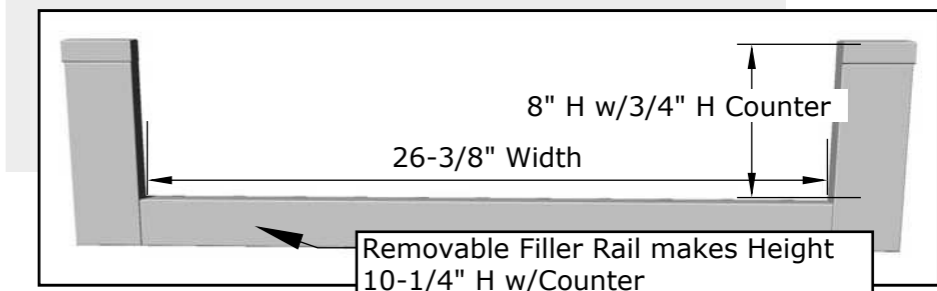
Item No. SCC34GTK2.5



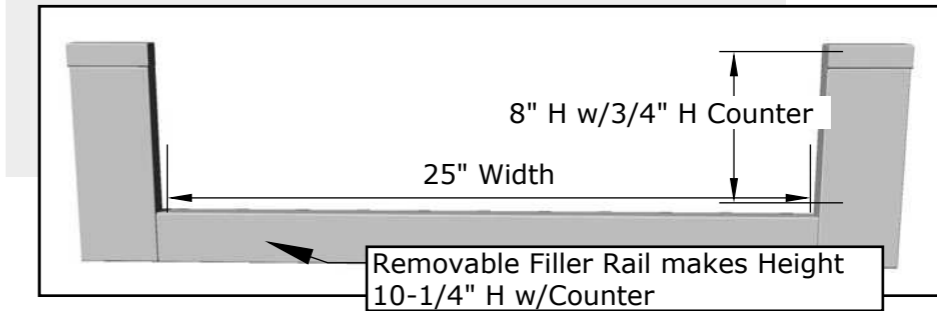
Item No. SCC34GTK3.25



Item No. SCC34GTK3.75



Item No. SCC34GTK4.5



Item No. SCC34GTK5

