

BASE & WALL CABINET SETUP GUIDE BY SUNSTONE®

Read all instructions before you install cabinet. Very important to follow each step in order as detailed in this Instruction Guide!!!

WALL CABINET INDEX

Parts Diagram -----	2
Measurements -----	3
Lower Support Rails -----	4
Upper Support Rails -----	5
Positioning Cabinets -----	6
Cabinet Details -----	7
Securing Cabinets -----	8

BASE CABINET INDEX

Grill Cabinet Trim-Kits -----	9
Grill Cabinet Trim-Kit Setup-----	10
Grill Cabinet Support Rail-----	11
Counter Rails & Side Panels -----	12
Island Layout & Setup Guide -----	13
Island Completion Overview -----	14

WARRANTY -----	15
----------------	----



To installer or person assembling Cabinet Island: Leave this manual with cabinet for future reference.
To Consumer: Keep this manual for future reference.

www.thebarbecuestore.es

1. WALL CABINETS – PARTS DIAGRAM

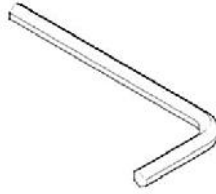
REQUIRED TOOLS



#2 PHILLIPS
SCREW DRIVER



HOUSEHOLD
HAMMER



4 MIL. ALLEN
WRENCH



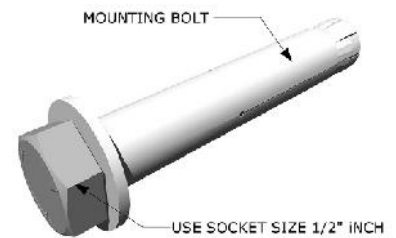
SOCKET WRENCH
W/ 1/2" SOCKET



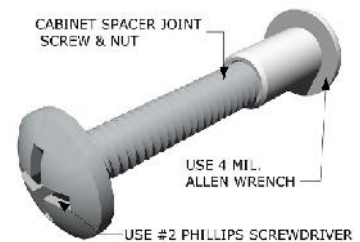
ELECTRIC
HAMMER DRILL

INCLUDED HARDWARE & PARTS

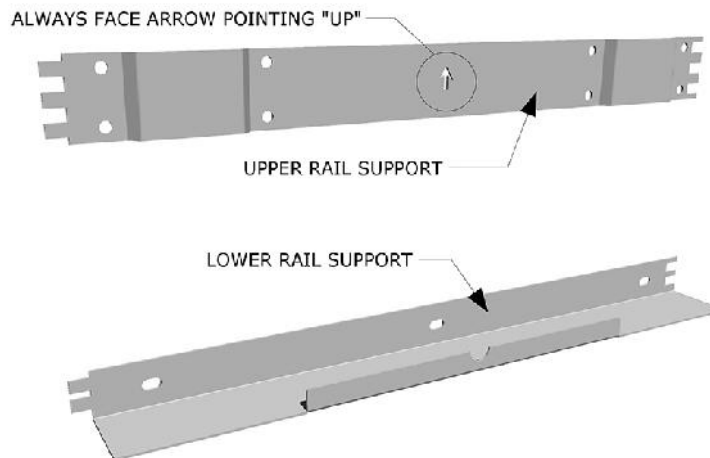
Each Wall Cabinet includes multiple Anchor Mounting Bolts. Anchor Mounting Bolts are adaptable with any 1/2" Socket Wrench. The Load Capacity per bolt is approximate 200 Pounds, even so we still recommend one bolt for every available hole in support rails.



Unlike the lower base cabinets which use Pin-Lock's to secure in place next to one another, the Upper Wall Cabinets use a combination #2 Phillips Screw and 4 Mil. Nut Cap. The two end are inserted in through corresponding holes on the interior of cabinets meeting each other, at the top/middle/bottom positions.



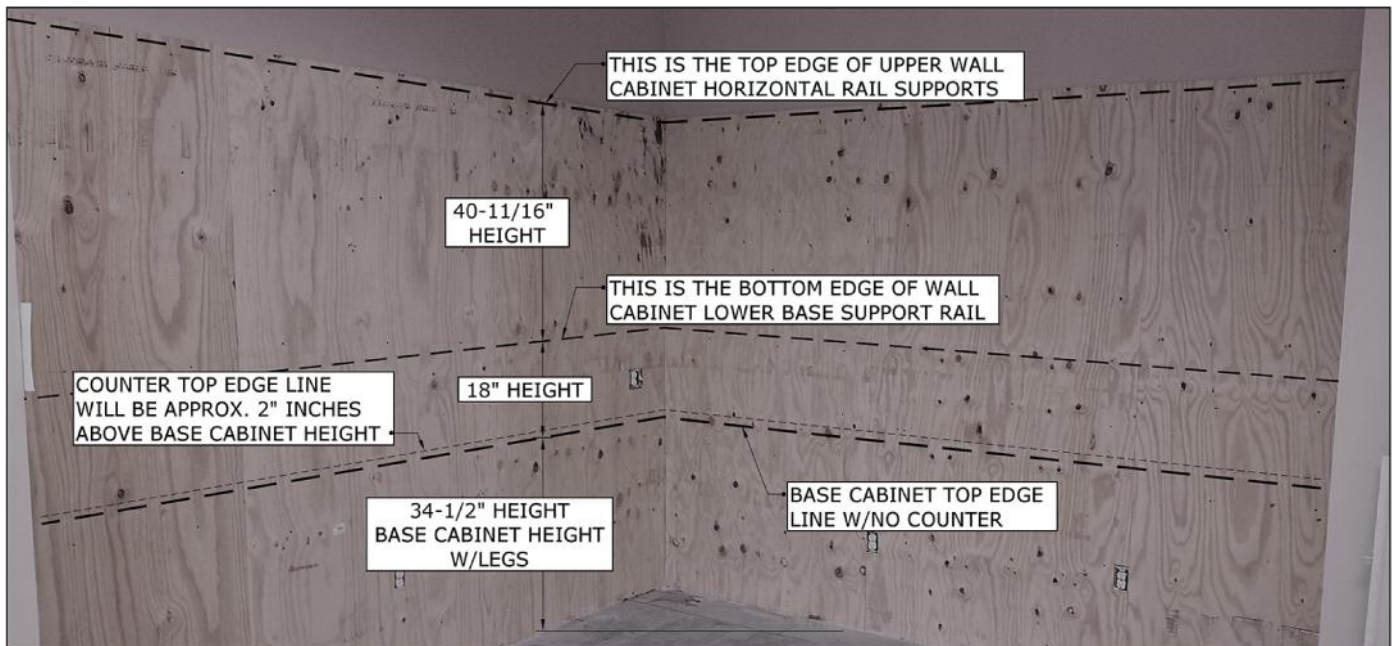
Each Wall Cabinet includes multiple Anchor Mounting Bolts. Anchor Mounting Bolts are adaptable with any 1/2" Socket Wrench.



2.WALL CABINETS – MEASUREMENTS

Know your Wall Type, these cabinets require support mounts to be Bolted into either Wood Framing, or preferably into Masonry Stone. If installing to Exterior of Home Wall, if finding wall studs are difficult – we recommend using ½” Plywood Board Insulator against Wall where Wall Cabinets will be mounted to. This way the Heavy Weight of the cabinets is evenly spread out across the wall and the Support Rail screw holes do not necessarily have to line up with interior wall studs.

Important to get Accurate Dimensions placed, marking up to the exact heights of true counter, to the height of wall cabinets. In this instruction guide, we show placing wall cabinets up 18” Inches above Frame or Cabinet top edge without counter, which gives adequate clearance, but depending on several factors this dimension may change depending on how you will be accessing the wall cabinets, or even how tall you are plays an important aspect for what will be the comfortable reachable height of any wall cabinets.



See the above illustration, detailing correct Dimensions for Base Frame or Cabinet Height, Counter Top Edge, Base of Wall Cabinet Rail Support and the Top Edge line of Wall Cabinet Upper Rail Support. Make sure to draw similar horizontal lines reflecting how it is shown in this illustration matching to the dimensions shown.

3.WALL CABINETS – LOWER SUPPORT RAILS

Once all your Lines are drawn, next begin placing the individual wall cabinet support rails, start with the bottom rail first. If your Wall Cabinet group is in a corner location, like shown in this guide, then start in the Corner reaching out to the Left and Right cabinet runs. Or for any straight Wall Cabinet Group, start either at the Left or Right side, whichever side is against any wall structure first.



ATTENTION: For exterior walls with Wood Framed Studs, you may need to use “Lag Bolts” to properly secure Support Rails to wall.



ATTENTION: Be sure to use Mounting Bolt in each hole along Bottom Support Rail, as it is the Base that supports the majority of the weight.

A. Hold each Bottom Rail against wall, with underside edge on top of pre-marked lower horizontal line. Using a pencil mark the corresponding drill hole positions. Place Lower Support Rail to the side, and using 3/8” Inch Drill Bit, drill each marked hole.



B. Place the Base Horizontal Rail against wall aligned to Pre-Drilled Holes, insert the Mounting Bolts through each corresponding hole. Use “Leveler” to check support rail is Leveled as you continue to Hammer each bolt into place.

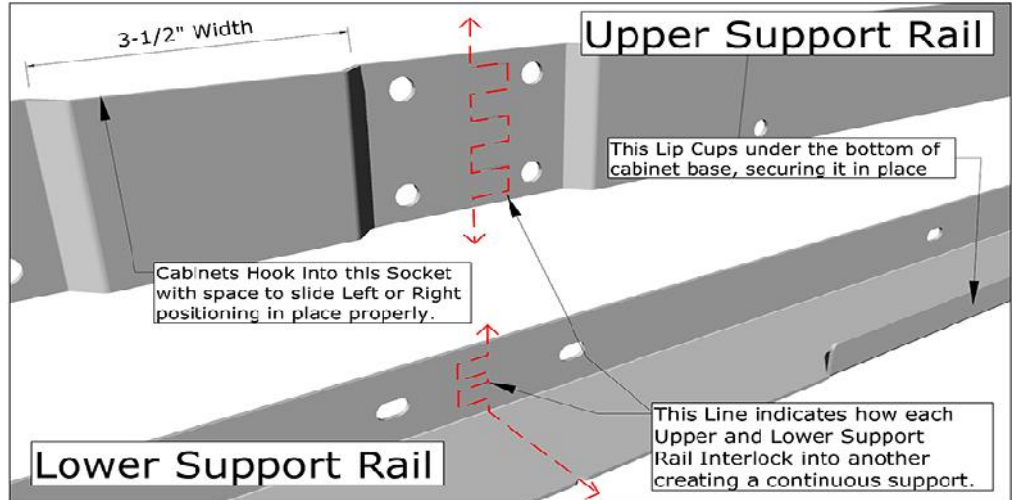


C. Once Support Rail is affixed to wall, with All Mounting Bolts in all the way, now use Socket Wrench with 1/2” Socket, and securely fasten in each bolt at tight as possible.



4. WALL CABINETS – UPPER SUPPORT RAILS

All Upper and Lower Support Rails feature Interlocking Teeth that are designed to make it much easier to build out even horizontal straight lines, one piece at a time.



ATTENTION: When mounting Upper Support Rails – be sure to always face Arrows in “UP” positions, or the interlocking teeth will not line up.

When placing the top Support Rails, pay special attention that all Arrows are pointing in “UP” position, otherwise the interlocking teeth will not align. ****Important Note – you may need to thread each bolt through the corresponding holes****



Complete all Lower and Upper Support Rails installations for the first Wall Cabinet position. **Confirm all positions are correct as the rest of the installation will follow along, if any errors this will cause a larger issue.**

Confirm Spacing Height measured from base of Lower Support Rail to the Top Edge of Upper Support Rail when secured in place. **Again Confirm all Elevations are precise using Leveler Tool.**



5.WALL CABINETS – POSITIONING CABINETS

Test your installation is correct by Placing the First Wall Cabinet into position, follow these instructions when placing the remaining cabinet.

Wall Cabinets are Heavy, and requires at least two Adults to lift into position. It may be best to use a Four-Wheeler Dolly to position Cabinets on then roll into closer proximity to final resting point.

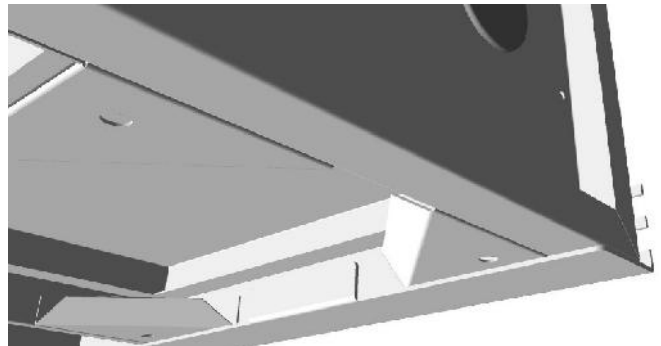
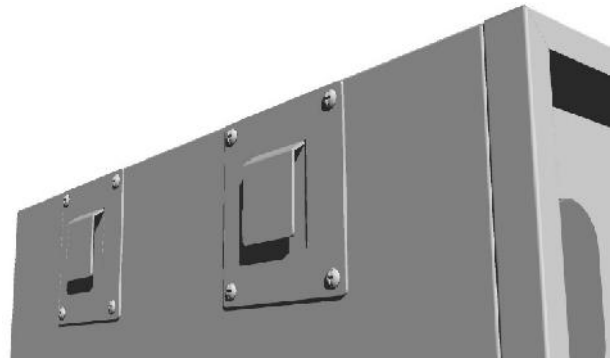


ATTENTION: DO NOT Place additional cabinets until ALL Upper and Lower Support Rails are installed in any one direction.

See the Hangers on the back top of each wall cabinet, these will hook into the Upper Support Rail.

Once the cabinet is lifted and the Hangers are hooked into the corresponding Upper Support Rail – Pockets, there is a small space on the Right & Left of each Pocket so cabinet can be correctly adjusted.

You will need to additionally lift the Base of Cabinet into the Lower Support Rail, Shelf-Lip which Cups around the Back Bottom Base of Cabinet.



6.WALL CABINETS – PANEL & CABINET DETAILS

Continue placing Support Rails along one direction off from the starter cabinet position. Install all support rails in any one direction before adding more cabinets.

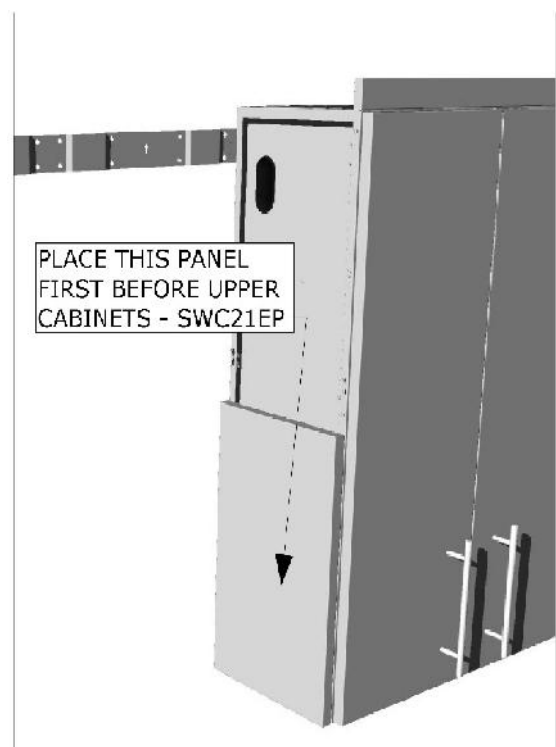
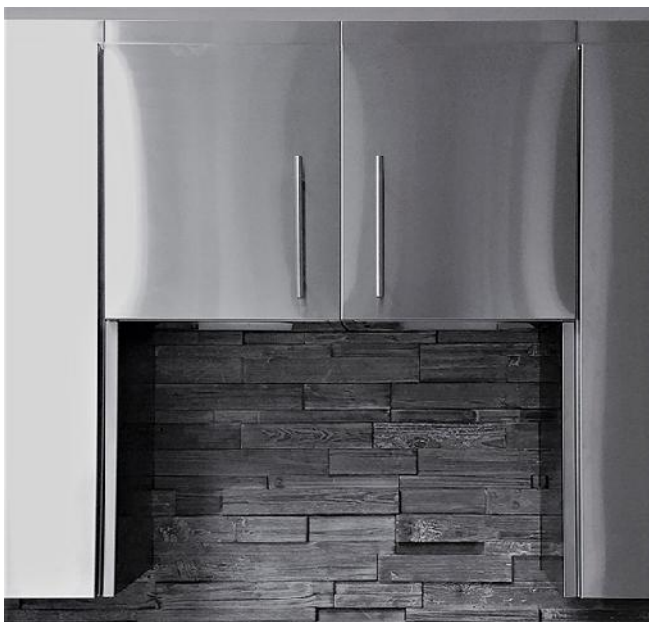
If placing any of the following cabinets SWC18CSDL, or SWC18CSDR, these cabinets are most often used for Sink or Cleanup areas and are shorter in height and will not have any Bottom Support Rails.

If placing any Spacers, remember to also place the Spacer Rail Supports, these do not attach to the spacer panel themselves, instead they work to create the correct spacing between other wall cabinets positions.



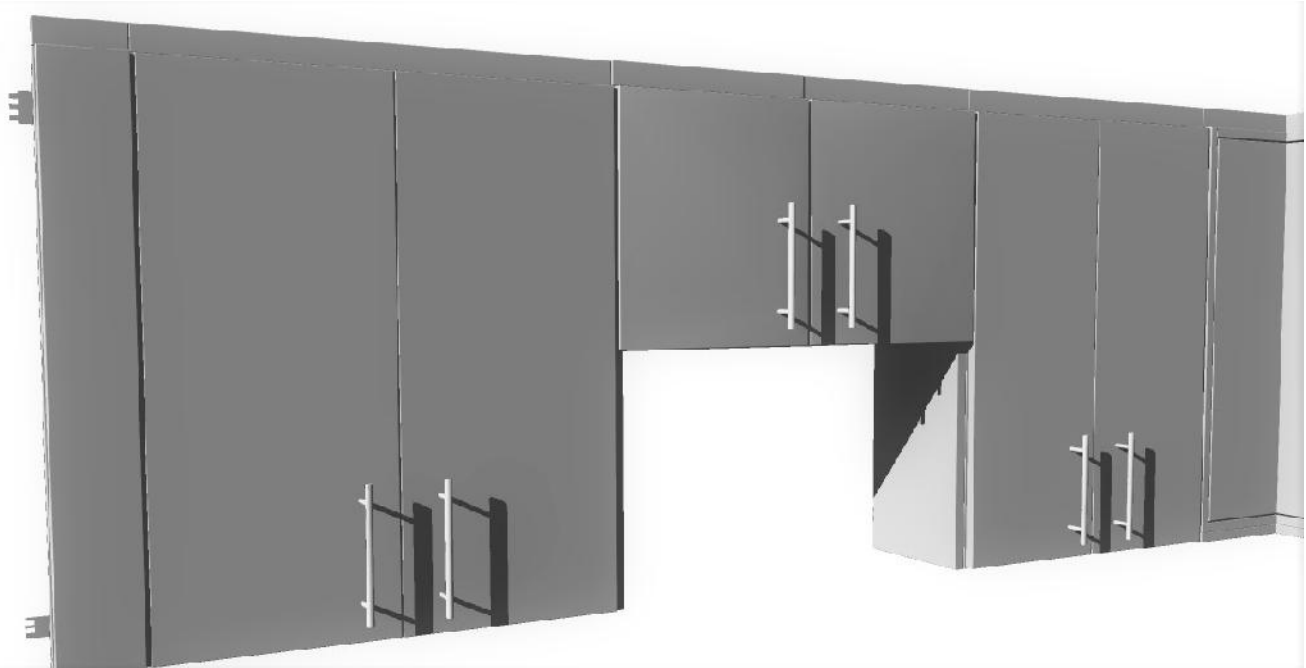
ATTENTION: Be sure to install each Crown Molding Panel on top of each cabinet before lifting cabinet into place. Handles can be placed Last.

When placing either of the following cabinets SWC18CSDL, or SWC18CSDR, be sure to place the End Panel, Item No. SWC21EP onto the opposing cabinet lower base side, this will seal the inner area on the inside

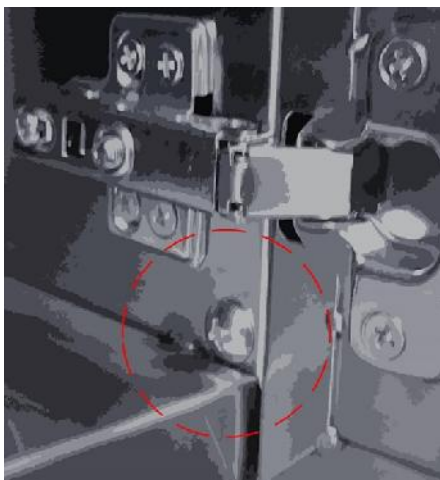


7.WALL CABINETS – SECURING CABINETS

Place the remaining cabinets along pre-installed Support Rails, remember to confirm all Top of Cabinet Crown Molding Panels are installed before cabinet is lifted into place. Per this Example, we placed the following cabinets starting from the Right, SWC12SLS, SWC30FDD, SWC18CSDR, SWC18CSDL, SWC36FDD, SWC6SPF.



Spacers Panels attached to the Front side of wall cabinet only, using the included “Cabinet Spacer Joint Screw & Nut”. Thread the long screw through each hole located on the inside left and right sides of cabinet with doors open. Typically, there will be Three Holes, Top, Middle, and Bottom.

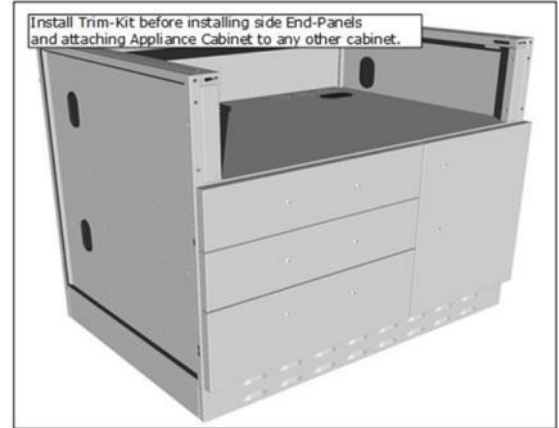


APPLIANCE BASE CABINETS – TRIM-KIT OPTIONS



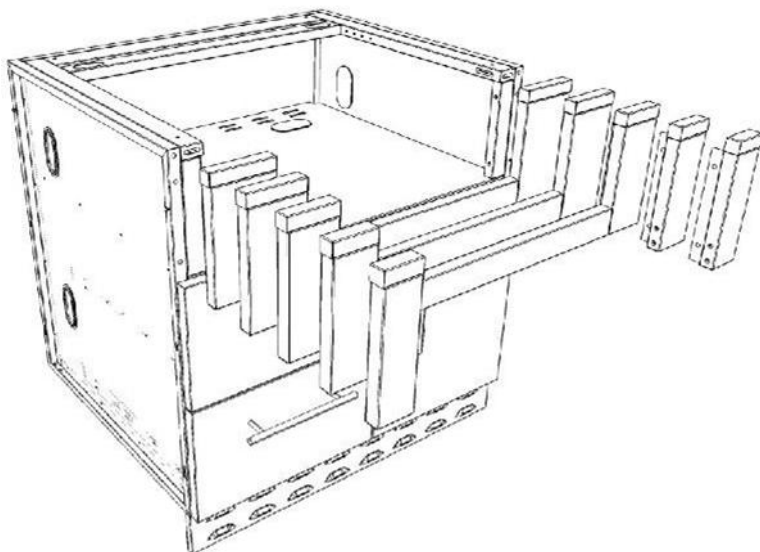
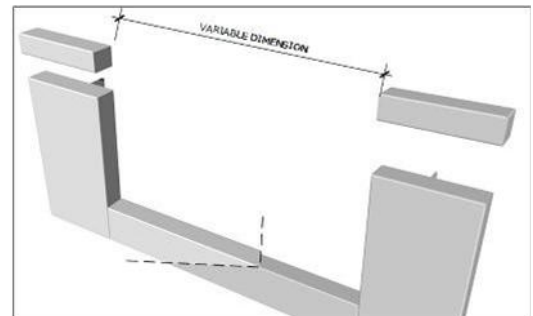
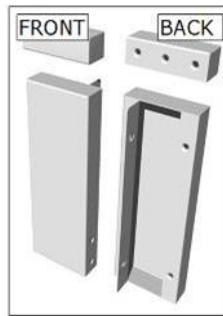
ATTENTION: Be sure to install all Trim-Kits and End Panels before any counters are installed.

First is to install any “Trim-Kits” you may have for either large or smaller appliance cabinets in your island configuration. At this point your appliance cabinet should appear as shown in the picture to the right with front, back kick plate panels installed and the side panel if the cabinet is on either end of your island configuration.



Depending on the specific Appliance you have, your cabinet came with a specific Trim-Kit that will fit each appliance cabinet in your cabinet island configuration. Be sure to measure the inside width of trim kit, and match up with your own appliance. Use own discretion when with Trim-Kits, as your specific product cut-out dimensions have not been directly confirmed by any Sunstone Metal Products LLC. Representative or employee.

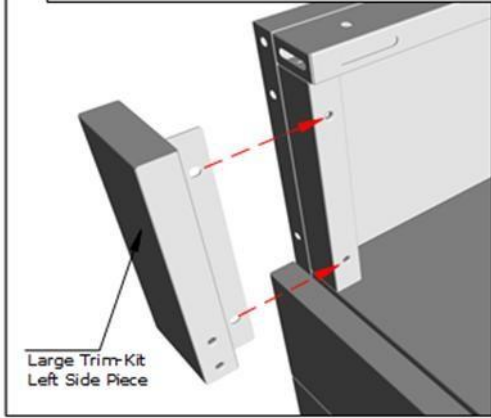
Your Trim-Kit will come with either two smaller separate pieces also with smaller counter rail pieces included, or as a single larger piece with center bottom filler rail connecting the two sides, and separate top counter rails pieces separate.



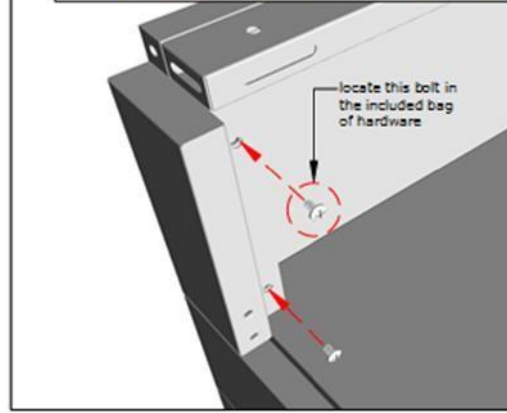
Each Appliance Cabinet is offered with Five to Six Trim-Kits, each for making its own cut-out size to accommodate many more appliance brands available in the market. If your trim-kit does not fit with your appliance, please contact your Sunstone dealer or our technical support line at 888-934-9449

APPLIANCE CABINETS – TRIM KIT ASSEMBLY

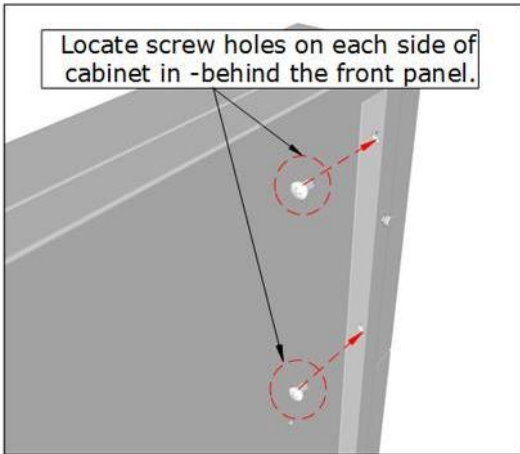
1. Locate the larger pieces of Trim-Kit, this is sometimes separated as two pieces like in this example, or grouped with lower rail that is Pre-Attached.



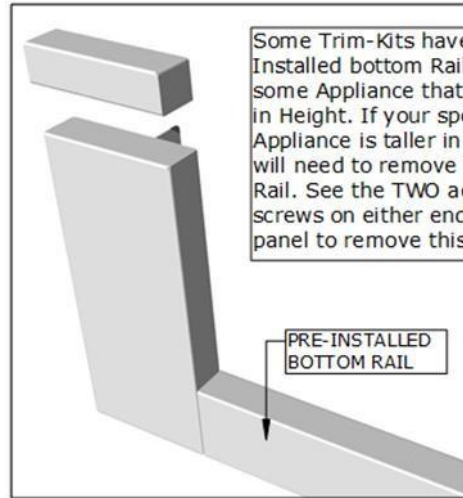
2. Locate the Two top and bottom screw hole positions and align the trim-kit piece up with them. Find Two screw bolts in the included hardware and install here.



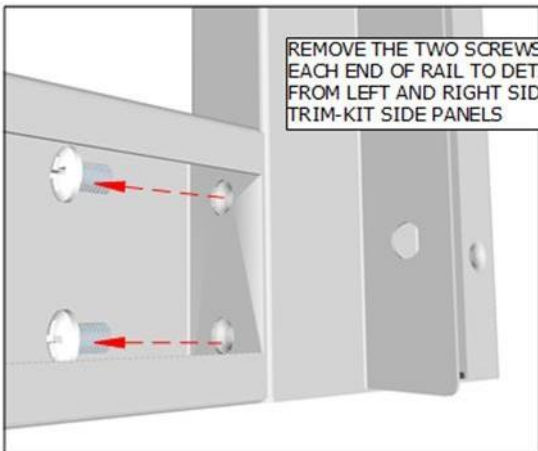
Locate screw holes on each side of cabinet in -behind the front panel.



Some Trim-Kits have Pre-Installed bottom Rails made for some Appliance that are shorter in Height. If your specific Appliance is taller in Height, you will need to remove this bottom Rail. See the TWO adjacent screws on either end in back of panel to remove this Rail.



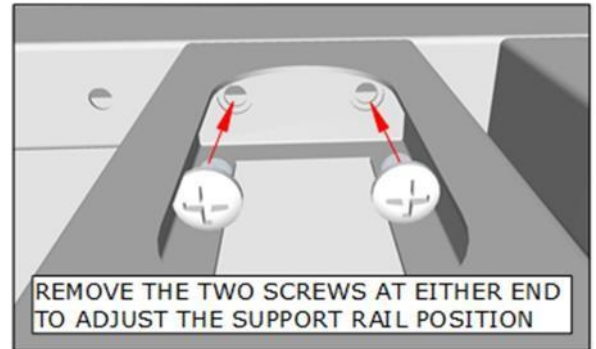
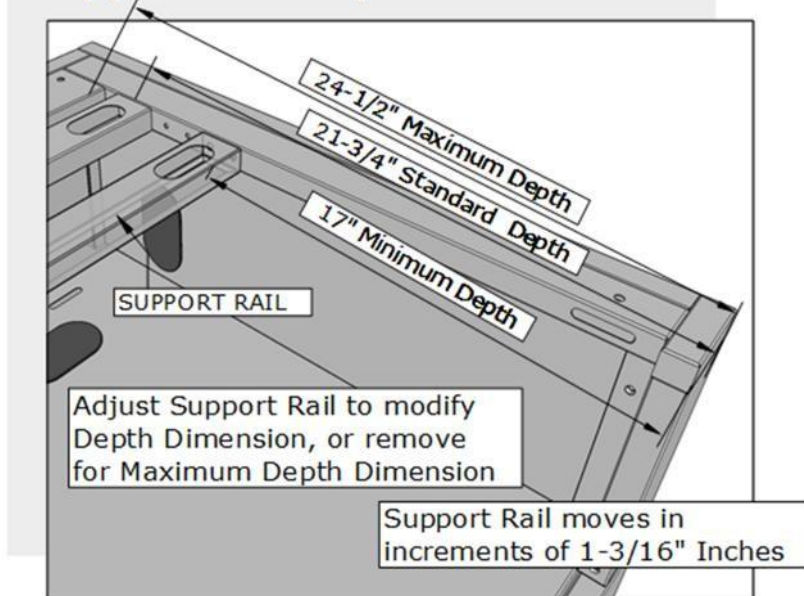
REMOVE THE TWO SCREWS ON EACH END OF RAIL TO DETACH FROM LEFT AND RIGHT SIDE OF TRIM-KIT SIDE PANELS



APPLIANCE CABINETS - SUPPORT RAIL

The Appliance Cabinet Support Rail is located in the back of cabinet, and is used as a Counter Support, in the event your specific appliance is either deeper or shorter. In either case you can adjust the depth of sleeve cut-out using this rail, see the pictures below for instructions.

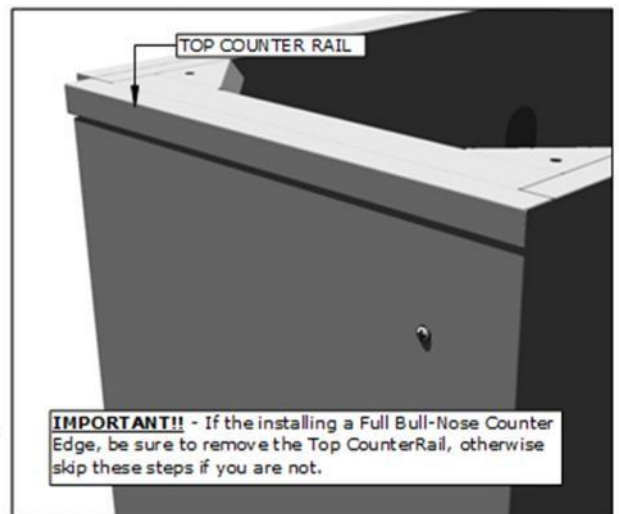
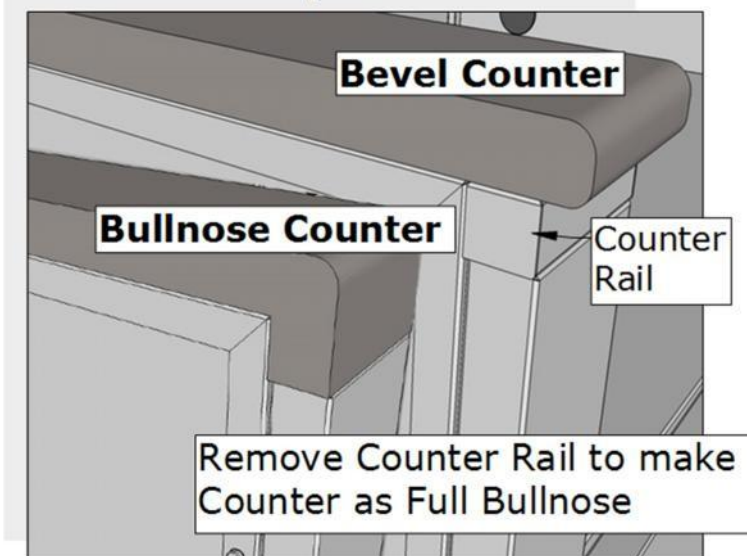
Support Rail Option



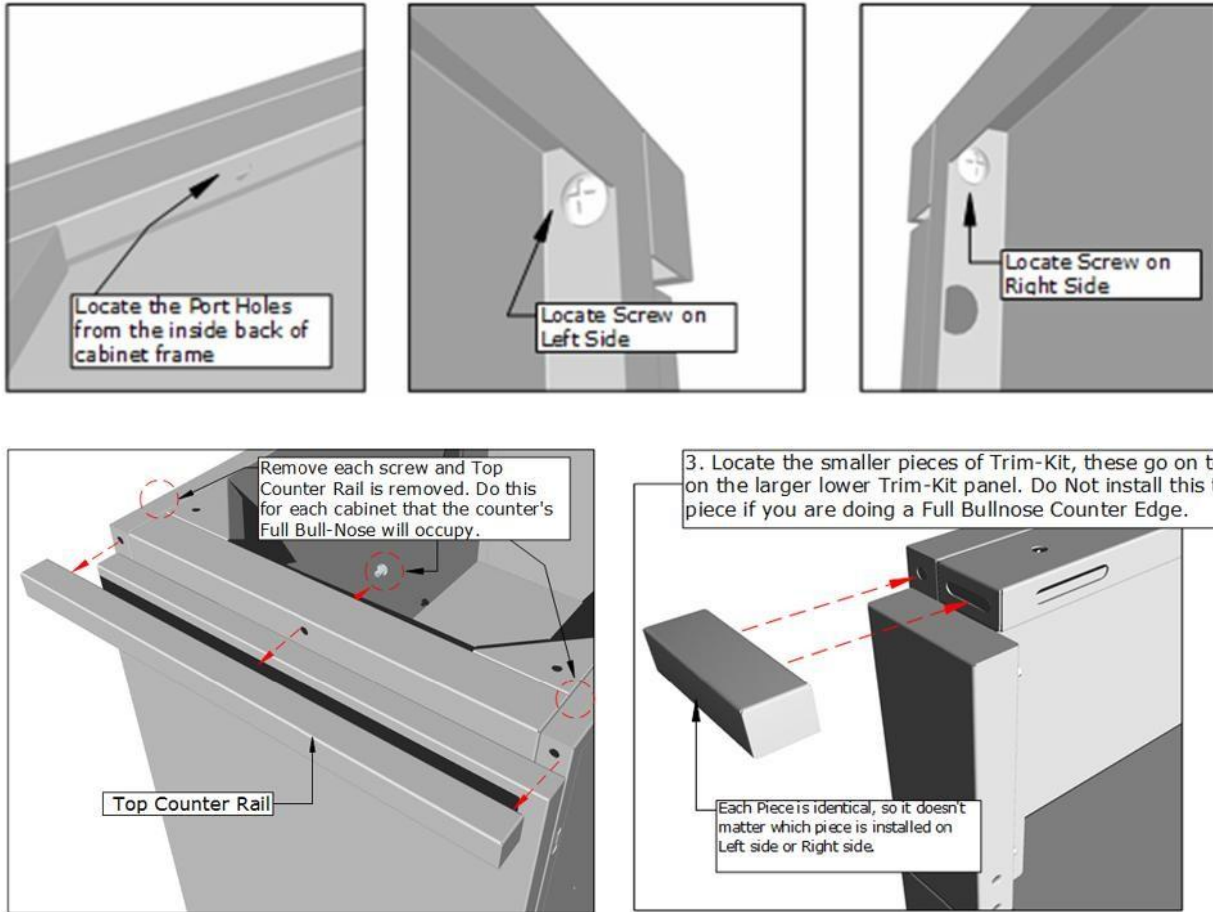
ALL CABINETS - COUNTER RAIL

The Cabinet Counter Rail is designed as two-fold, one to allow for adequate distance of counter to drawer or door of cabinet as a decorative accent piece and gives you the added ability of being able to install your counter top with a full bullnose edge, that wraps around front of cabinet edge.

Counter Rail Option



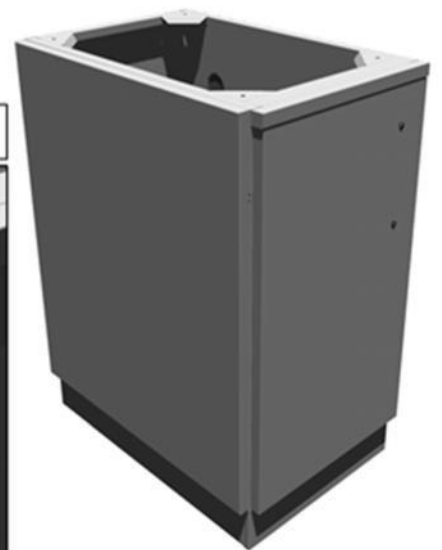
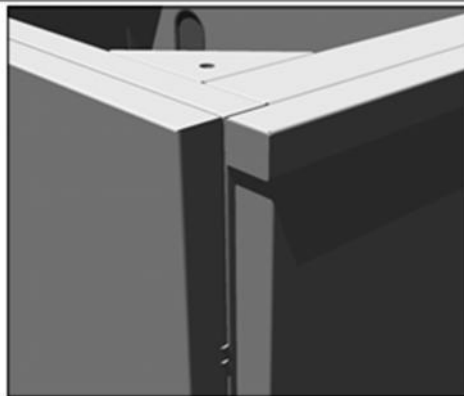
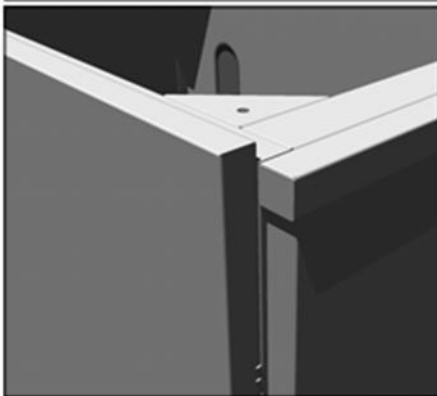
ALL CABINETS - Counter Rail & End Panel



ALL CABINETS - END PANEL

IF THIS CABINET IS BEING USED AT EITHER END OF ISLAND SETUP, THEN INSTALL END PANEL TO SIDE OF CABINET

LAY END PANEL AGAINST LEFT OR RIGHT SIDE OF CABINET BUT LIFTED SLIGHTLY SO PINS WILL ALIGN UP TOGETHER AND PANEL WILL SNAP IN PLACE BY PUSHING DOWN AND IN.



ALL CABINETS - ISLAND LAYOUT

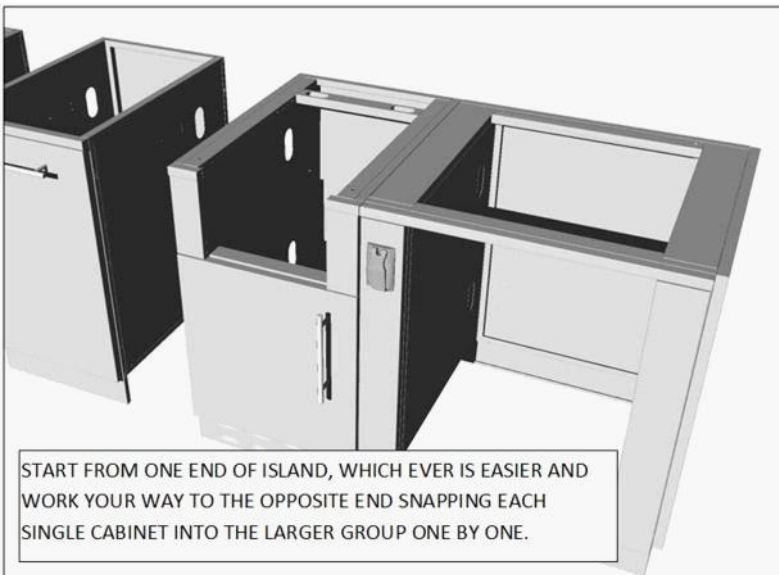
Now that you have individually configured each cabinet, it is time to set them up into the general layout of your island design. Be sure to give some distance between each cabinet so you can move your body between each one.



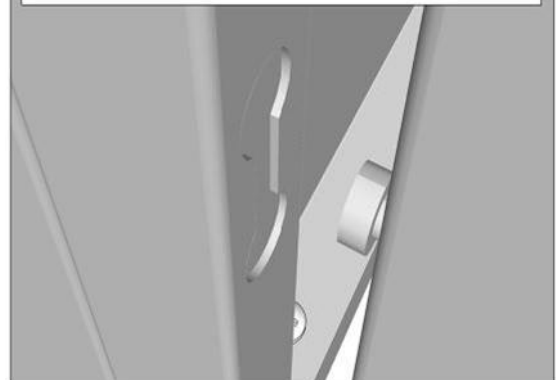
ATTENTION: Place all Kickplates Last after all cabinets are attached and legs are leveled. Install Kick Plates from the Left to the Right always.



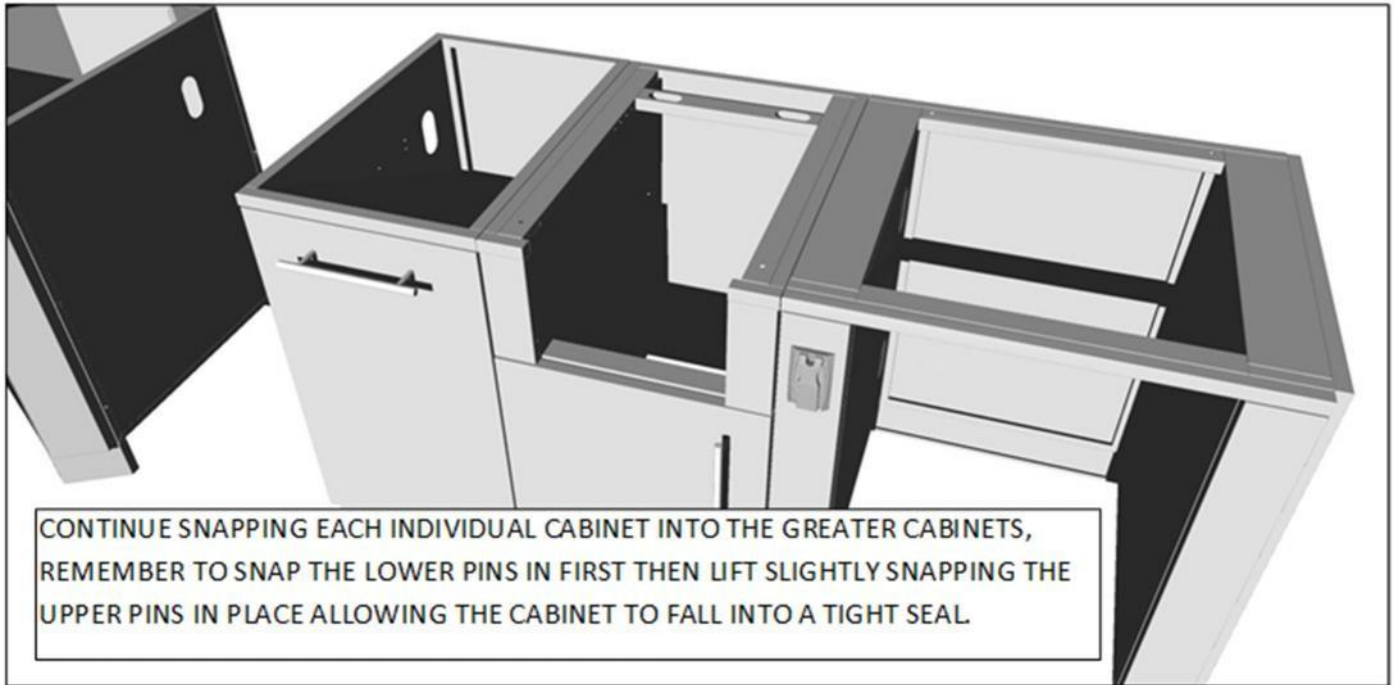
IMPORTANT!!! You must individually attach each cabinet together, do not try and attach three or more together at once. Using a Leveler, place on top of each cabinet group as you assemble, taking special precaution that the top is Leveled as you go. Each peg leg is adjustable within 1-1/2” Inches, to composite for any uneven ground, additional some leveling may be required for lower drainage dips in your patio, but also know that as all cabinets are attached to one another, they will hold very strong together and leveled. So if one or two cabinets are slightly elevated, this should not impact the overall integrity of island assembly.



ATTENTION!!! ALIGN EACH OPPOSITE CABINET PIN WITH HOLE AND SLIGHTLY LIFT AND SLIDE INTO EACH OTHER, IT IS EASIER TO FIRST INSERT THE BOTTOM PIN THEN ALIGN TO TOP PIN AND SNAP INTO PLACE. THIS IS A TWO PERSON JOB FOR EACH CABINET, WITH ONE PERSON ON EITHER SIDE LIFTING TOGETHER.



ALL CABINETS - ISLAND LAYOUT



9. ALL CABINETS - ISLAND COMPLETION

Once all cabinets have been properly configured and attached, next is to make your final preparation. Insure all Electrical Outlets and or Gas Lines have been installed with proper wiring and hoses running through the length of the cabinet island – through each adjacent port hole into one another. Next your local counter installer will come to your home to do a template of Cabinet Island for final counter installation. Last – install your Grill, Side Burners, sinks, and fridge.



CABINET WARRANTY

SUNSTONE – CABINET WARRANTY

WARRANTY ON PARTS

CABINET STRUCTURE	-----LIMITED LIFETIME
CABINET FINISH	-----LIMITED LIFETIME
ROD HANDLES	-----5 YEARS
PEG LEGS	-----5 YEARS
KICKPLATES & TRIM KITS PANELS	-----5 YEARS

LIMITED LIFETIME WARRANTY

Stainless Steel, to be from defects in material and workmanship when subjected to normal domestic use and service for the lifetime of the original purchaser. This warranty does not include discoloration, surface corrosion, and scratches which may occur during regular use.

LIMITED FIVE-YEAR WARRANTY

All other components including Rod Handles, Peg Legs, Kick Plates, End Panels, and Spacer Panels are warranted to be free from defects in material and workmanship for a period of five years from the original date of purchase.

LIMITATIONS & EXCLUSIONS

- 1. Cabinet warranty applies only to the original purchaser and may not be transferred.*
- 2. Cabinet warranty is in lieu of all other warranties expressed or implied and all other obligations or liabilities related to the sale or use of its grill products.*
- 3. Cabinet warranty shall not apply and SUNSTONE METAL PRODUCTS LLC. Is not responsible for damage resulting from misuse, abuse, alteration of or tampering with the cabinet, accident, hostile environment, improper installation, or installation not in accordance with the instructions contained in the User Manual, or the local codes.*
- 4. SUNSTONE METAL PRODUCTS LLC. shall not be liable for incidental, consequential, special or contingent damages resulting from its breach of this written warranty or any implied warranty.*
- 5. Some states do not allow limitations on how long an implied warranty lasts, or the exclusions of or limitations on Consequential damages. This warranty gives you specific legal rights and you may have other rights, which vary from state to state.*
- 6. No one has the authority to add to or vary cabinet warranty, or to create for SUNSTONE METAL PRODUCTS LLC. any other obligation or liability in connection with the sale or use of its products.*

WHAT IS NOT COVERED & INTERNET PURCHASE DISCLAIMER

1. Shall not be responsible for and shall not pay for the following Installation or set-up of cabinet.
2. Service by an unauthorized service provider;
3. Damage or repair due to service by an unauthorized service provider or use of unauthorized parts.
4. Damage caused by accidents, abuse, alteration, misuse, installation that is not in accordance with the instructions contained in the User Manual, or local codes.
5. Shipping and handling costs, export duties, or installation cost.
6. The cost of service calls to diagnose trouble; or Removal or re-installation cost.



Distribuidor oficial para España:

The Barbecue Store
Avda. Carmen Saenz de Tejada, 1
29650 Mijas Costa (Málaga)
Teléfono: 952477152 - 952477161
Fax.: 952580781
Email: dmbriico2@telefonica.net
<http://www.thebarbecuestore.es>