



Distribuidor oficial para España:

The Barbecue Store
Avda. Carmen Saenz de Tejada, 1
29650 Mijas Costa (Málaga)
Teléfono: 952477152 - 952477161
Fax.: 952580781
Email: dmbico2@telefonica.net
http://www.thebarbecuestore.es

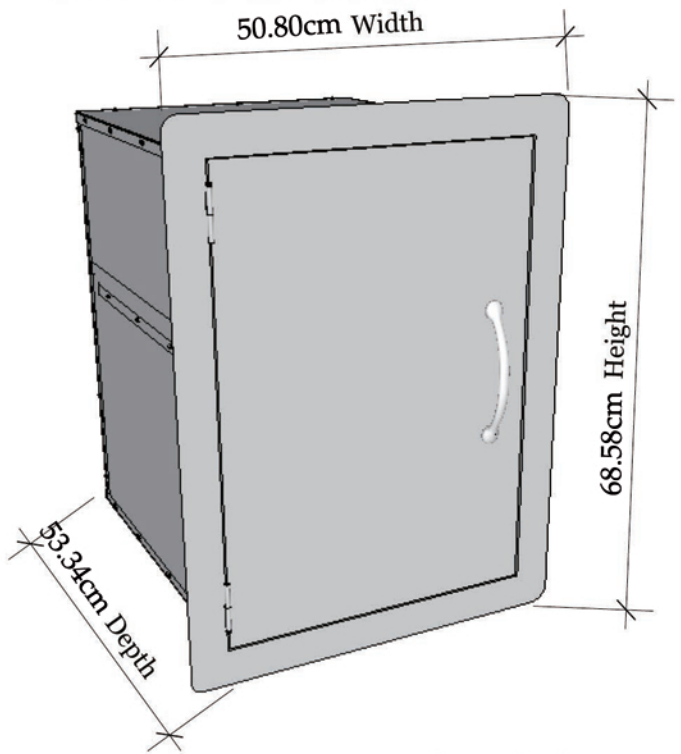
VERTICAL DRY STORAGE
PANTRY W/SHELF
Item No. DSV2417

DESCRIPTION
304 stainless construction, flush mounted Polished Look. Cabinet is fully inclosed air tight.

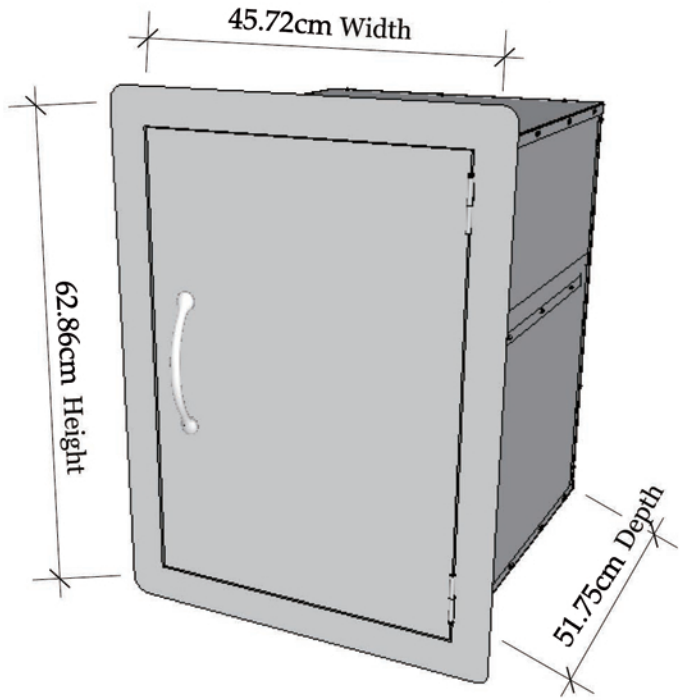
Verticle DryStorage Pantry
Product Size (cm): 50,8 W x 53,3 D x 68,5 H
Weight (kg): 19,50

Material Specifications:
16 gauge 304 stainless steel for door
18 gauge galvanized sheet for the box
Handles are made of zinc alloy, chrome plated.

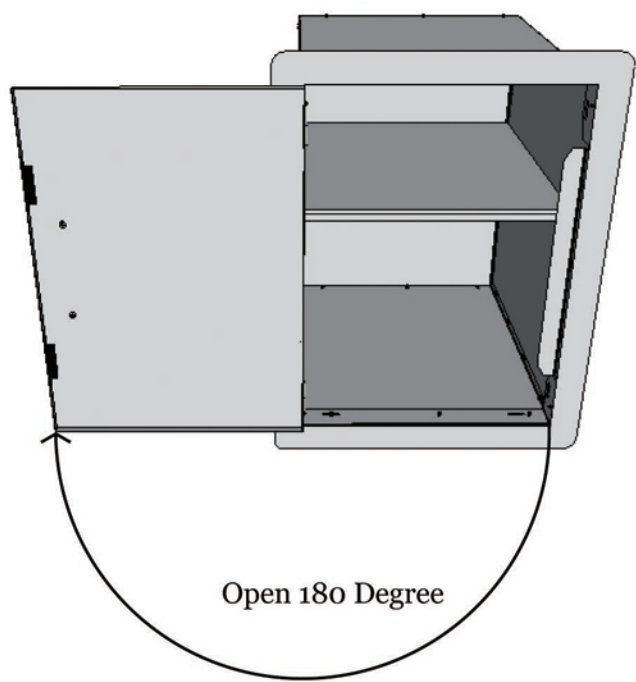
Product Dimensions



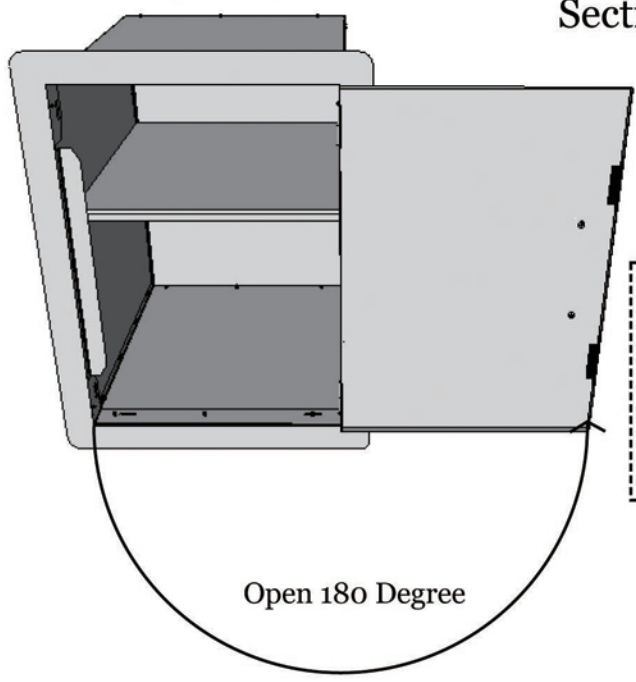
Cut-Out Dimensions



Open Left

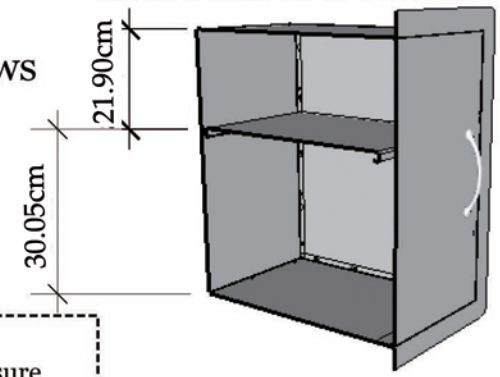


Open Right

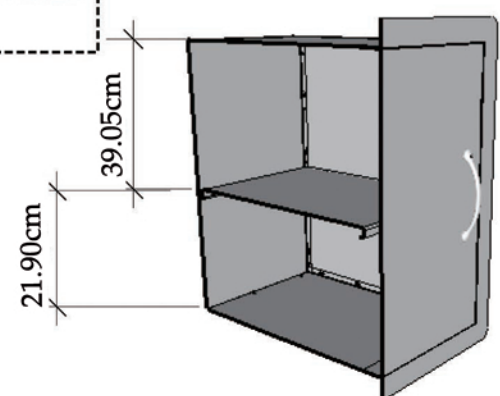


Section Cut-Views

Shelf Position 1: UPPER



Shelf Position 2: LOWER



With the Vertical Dry Storage enclosure you can set it up for LEFT or RIGHT positions and with the interior shelf on the UPPER or LOWER position.

SOME ASSEMBLY REQUIRED