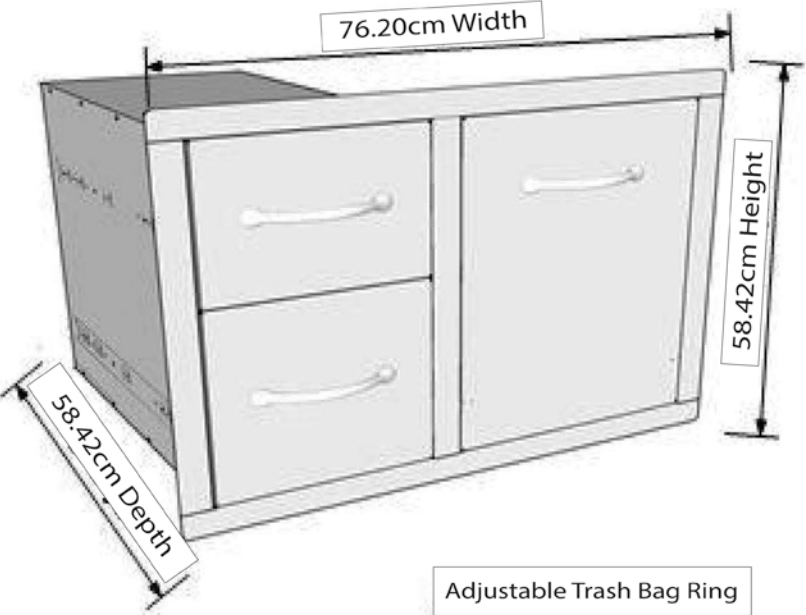
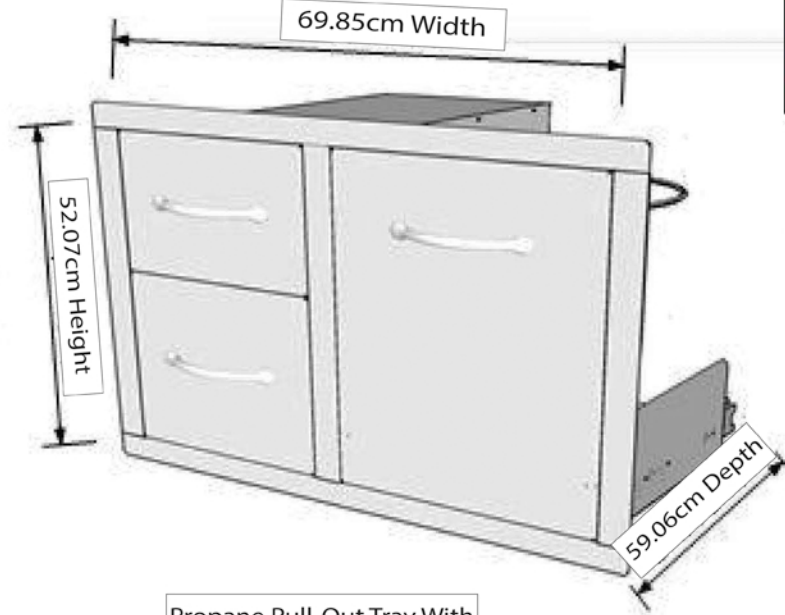


Product Dimensions



Cut-Out Size



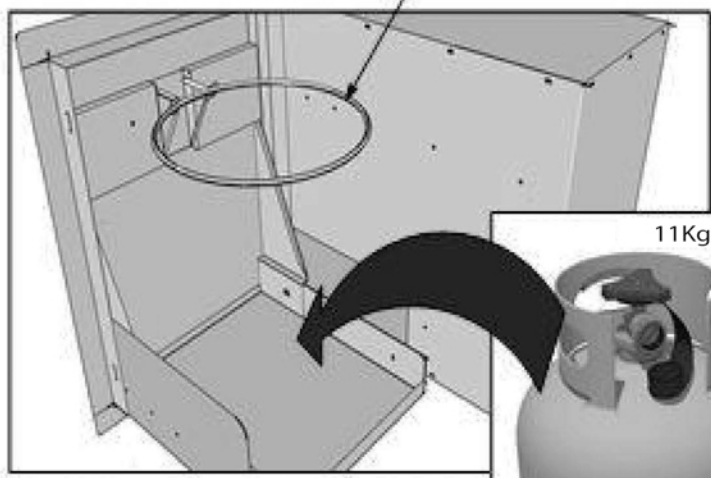
PRODUCT
30" Tank Tray Double Combo
Item No. A-LPCDD30

DESCRIPTION
30" Tank Tray Double Drawer
Combo w/Trash Ring

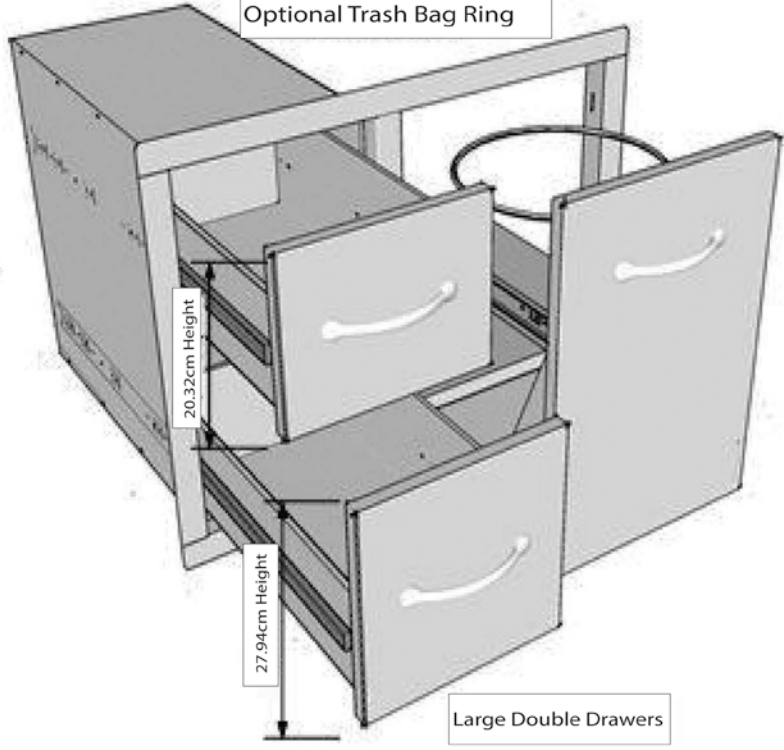
SPECIFICATIONS
76.20W x 58.42D x 58.42H (product Size)
69.85W x 59.06D x 52.07H (Cut-Out)
28.12Kg (Weight)

Material Specifications:
304 Stainless Steel 16 Gauge for
Frame 18 Gauge for Door 18 Gauge 20
gauge 201 SS for Drawer Box
Handles are made of Zinc Alloy
Chrome Plated.

Adjustable Trash Bag Ring



Propane Pull-Out Tray With
Optional Trash Bag Ring



11Kg Tank

