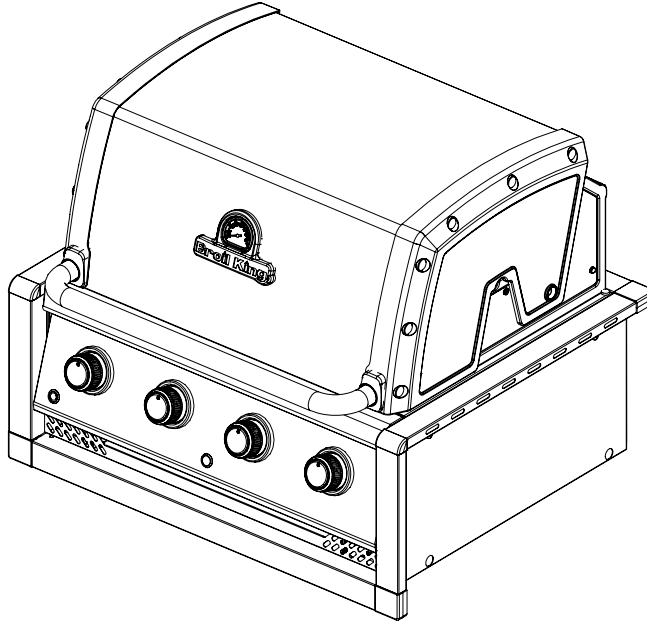
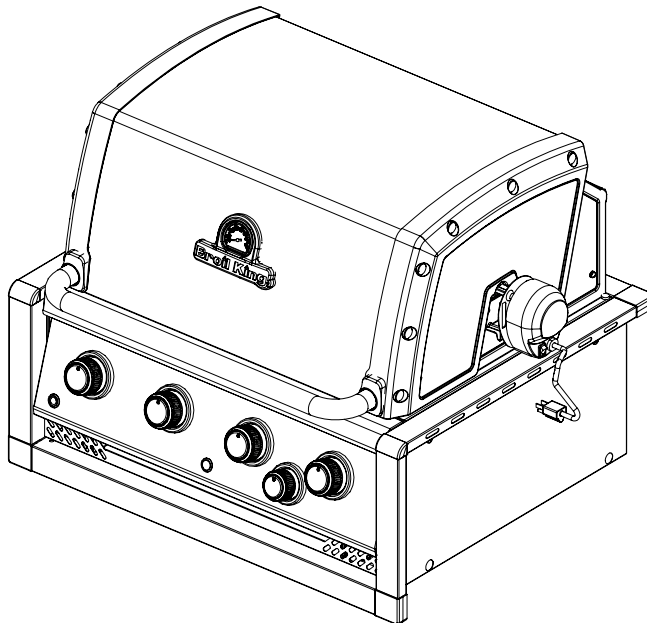


Broil King®

Broil King
REGAL 420
9856-52
9856-53
9856-56



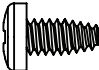
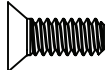
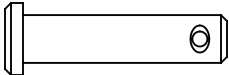
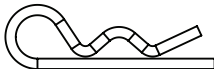
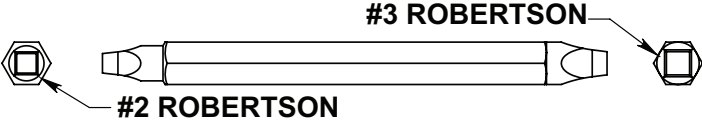
Broil King
REGAL 470
8856-72
8856-73
8856-76



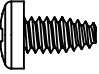
Onward
SINCE 1906
MANUFACTURING COMPANY
585 KUMPF DRIVE LIMITED
WATERLOO, ONTARIO, CANADA
N2V 1K3

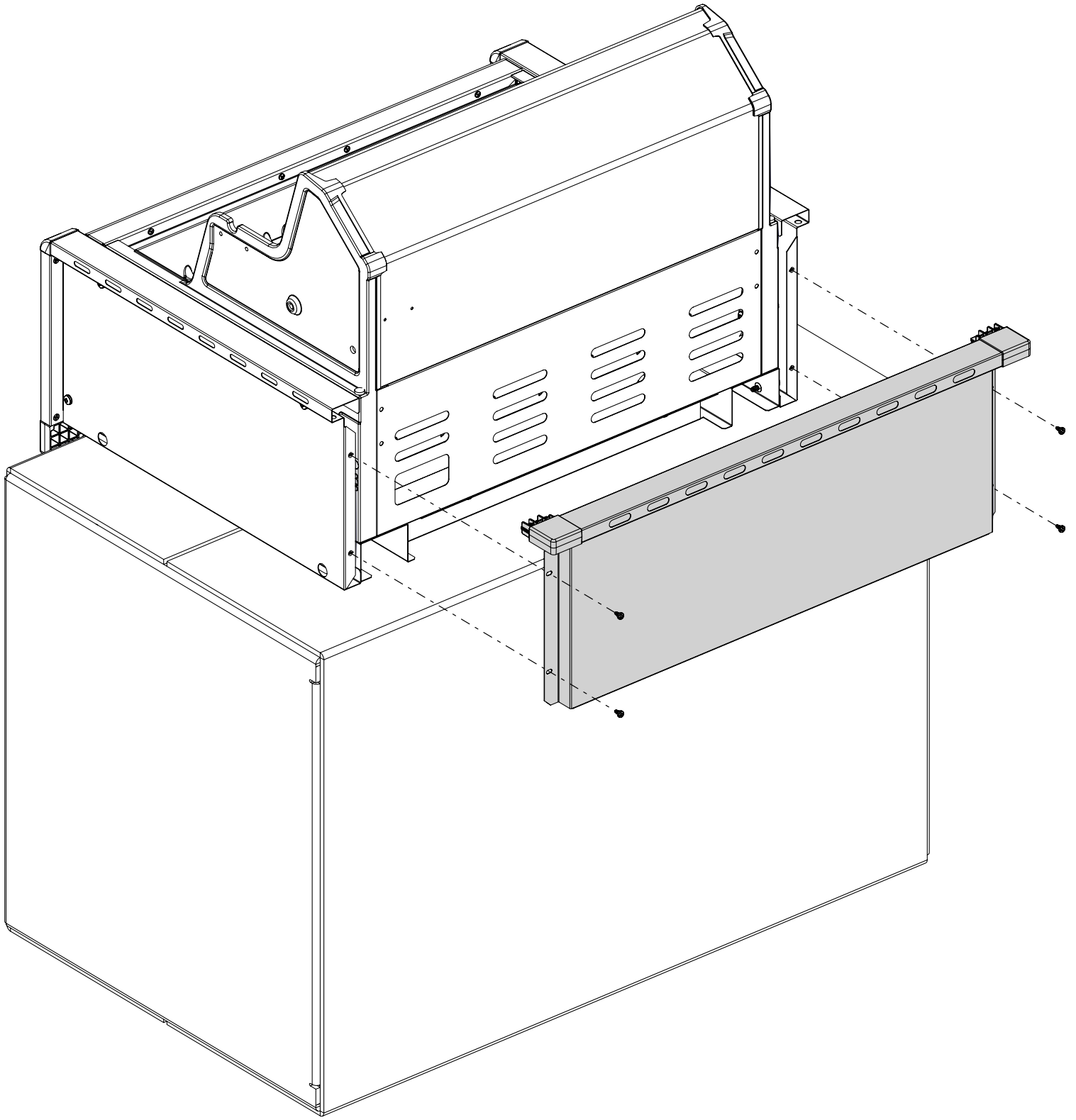
70084-E71EU REV F 09/21

HARDWARE INCLUDED / MATERIAL INCLUS / EQUIPOS INCLUIDO

Y-29304  (4)	Y-29301  (2)
S21235  (2)	S21233  (2)
	

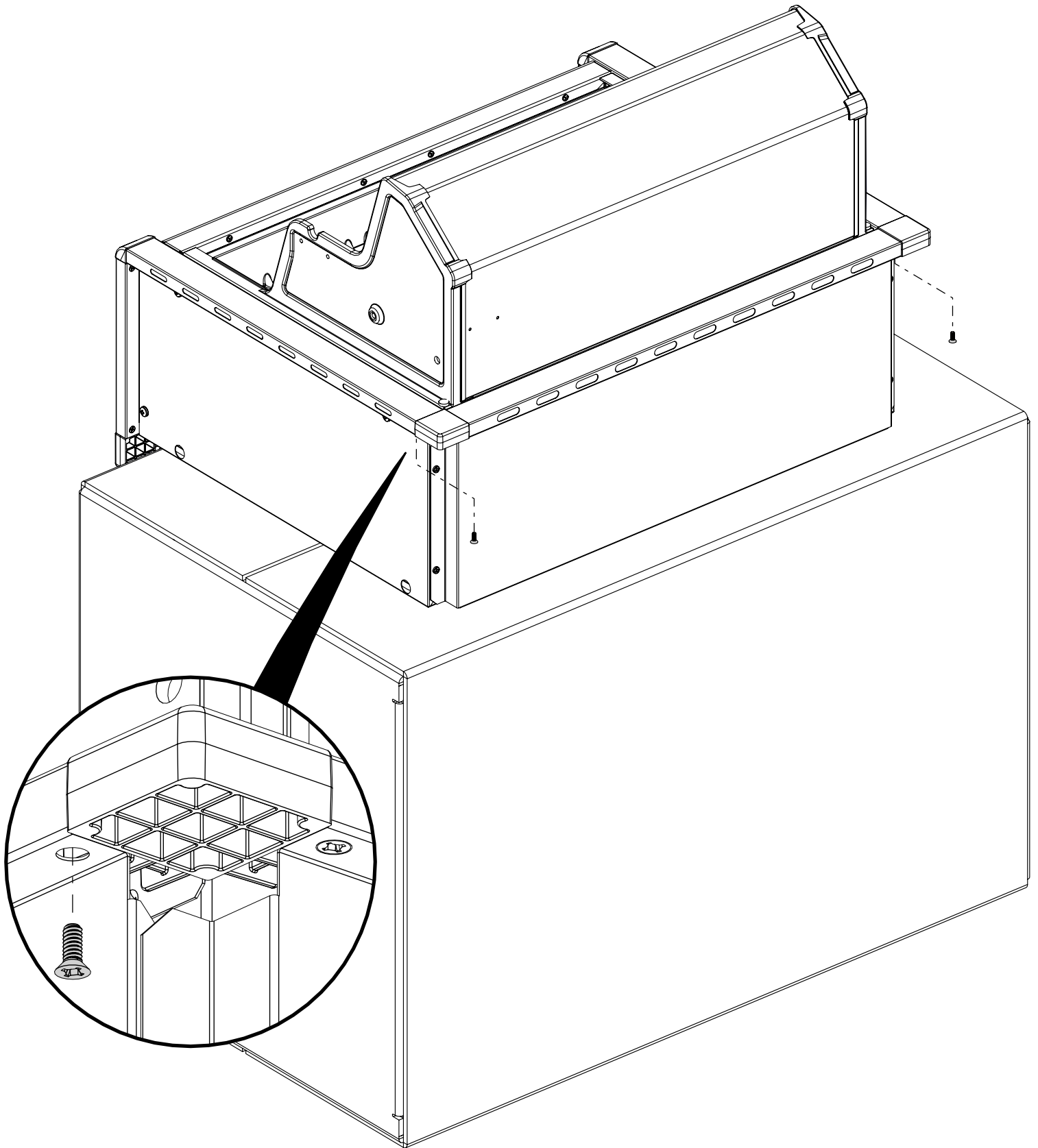
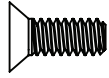
1

(4) 

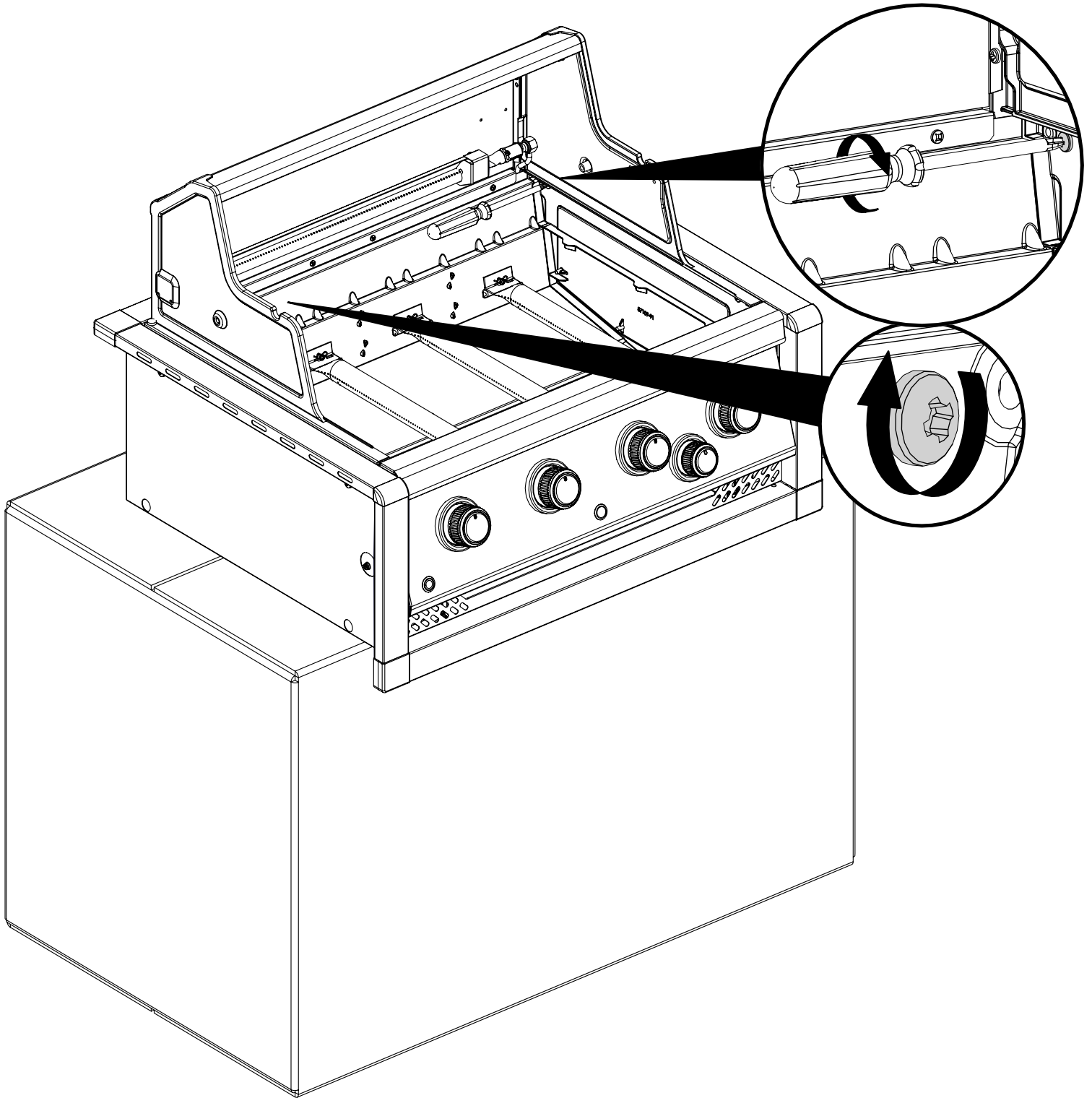


2

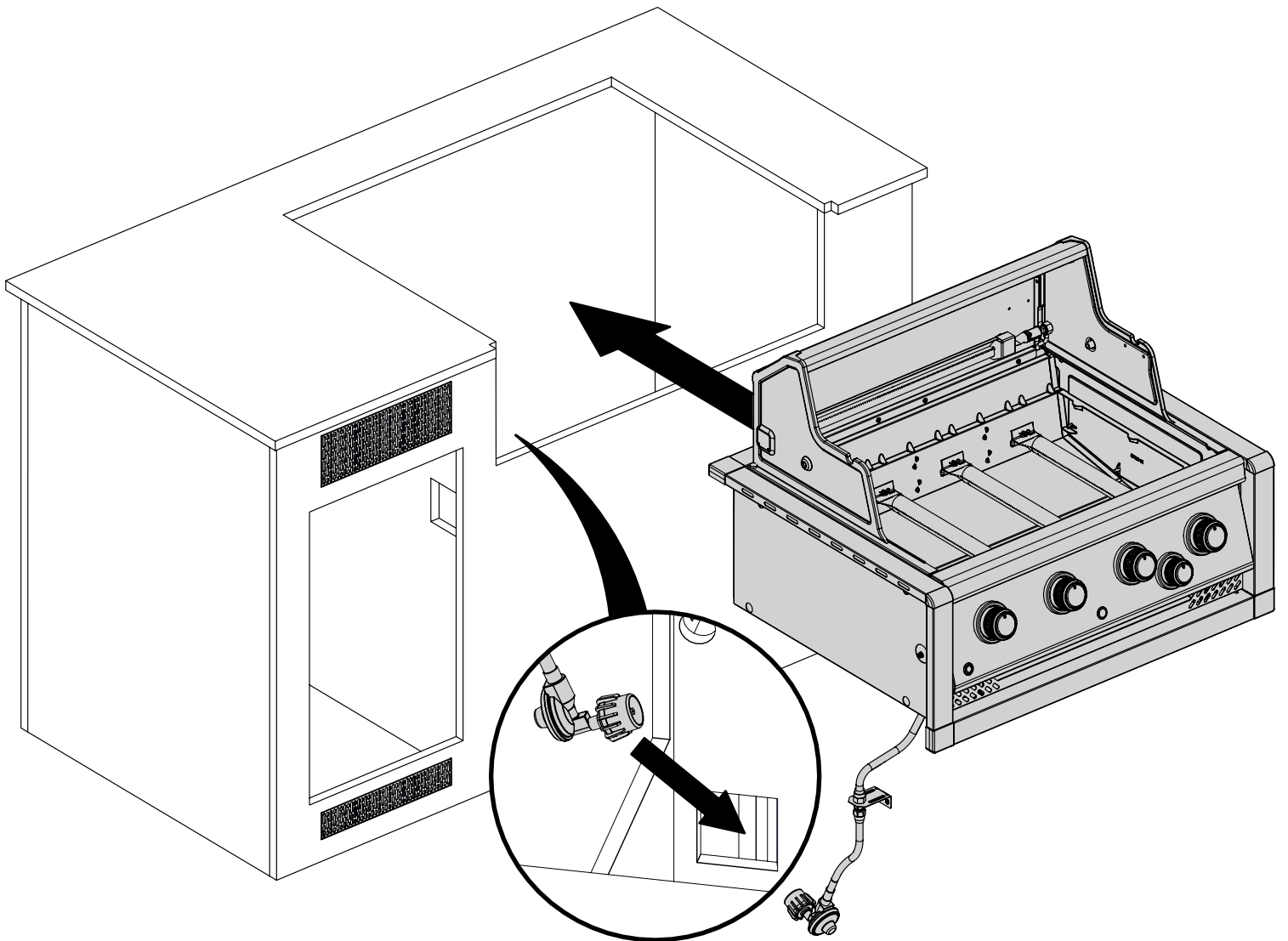
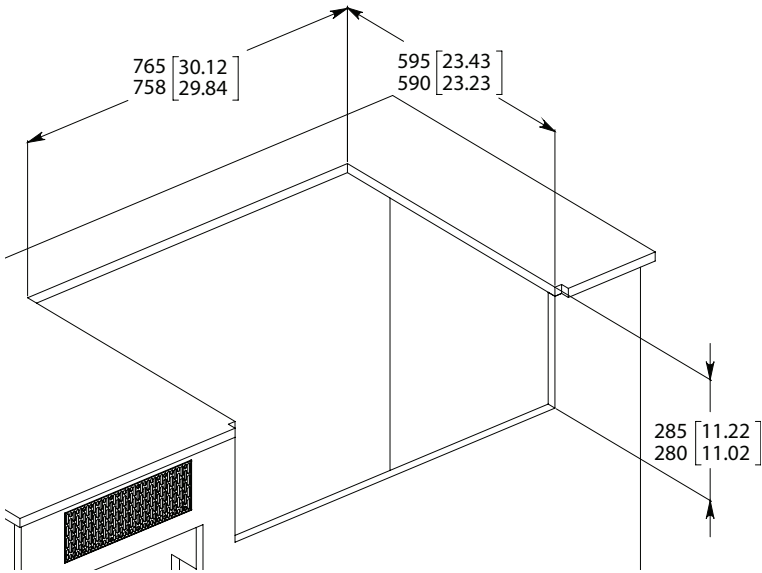
(2)



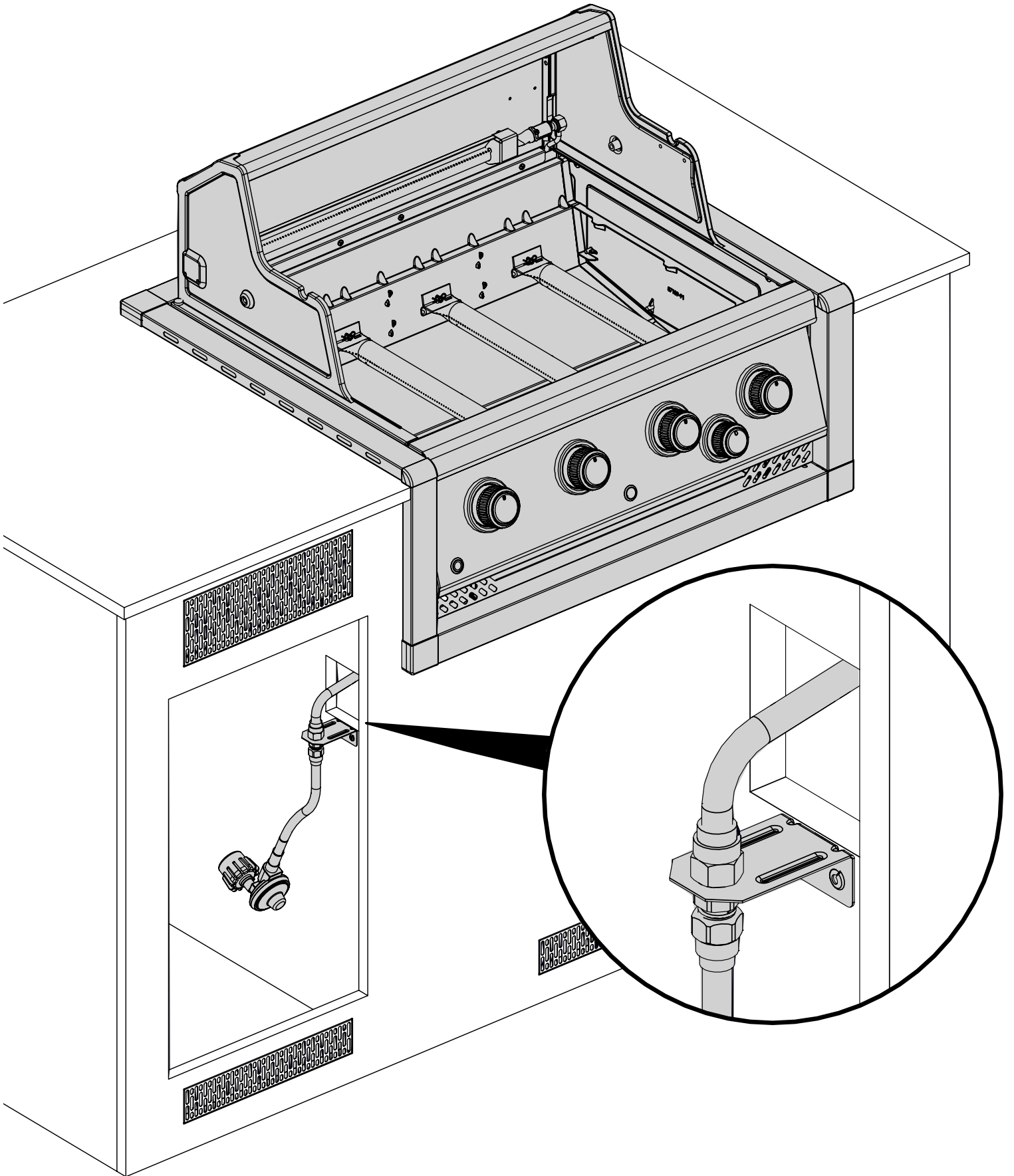
3



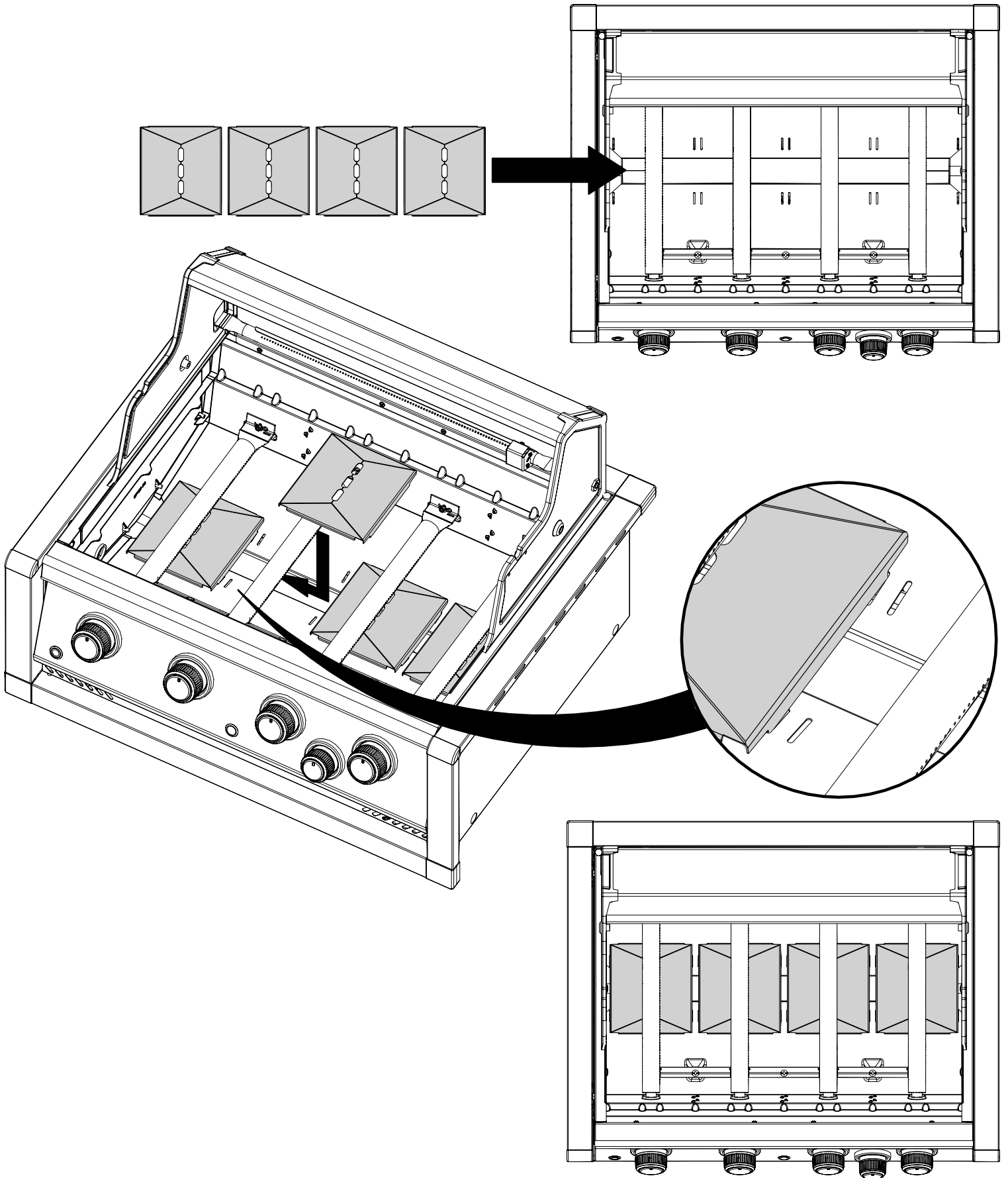
4



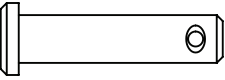
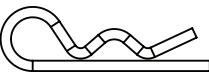
5

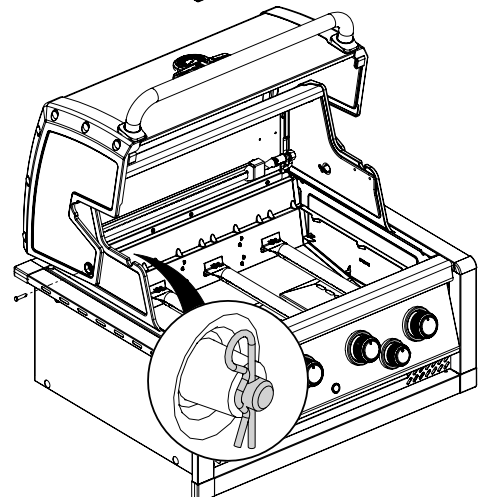
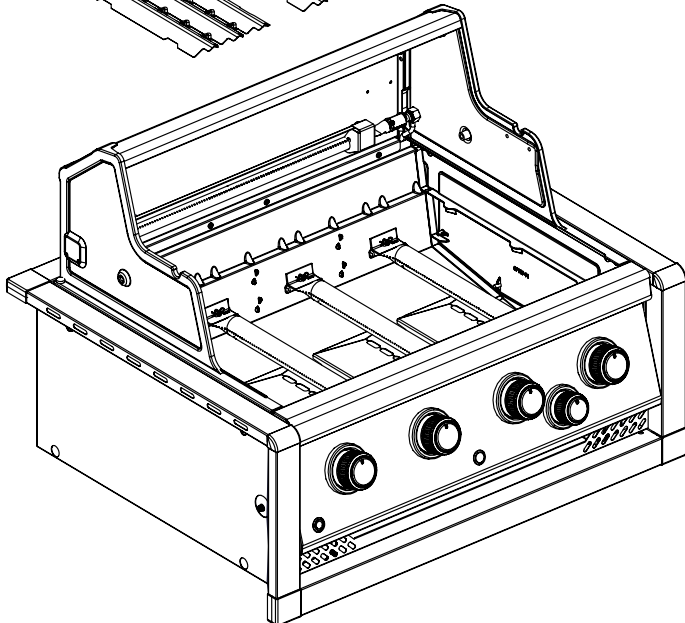
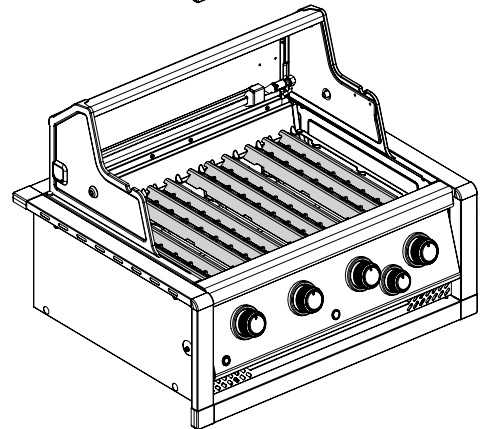
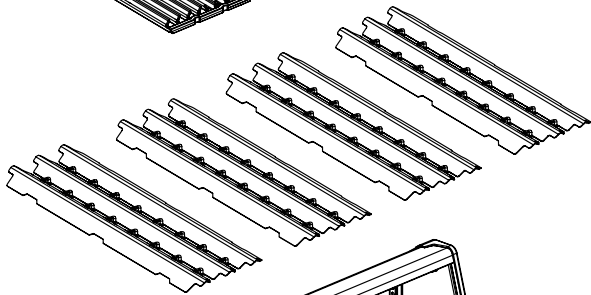
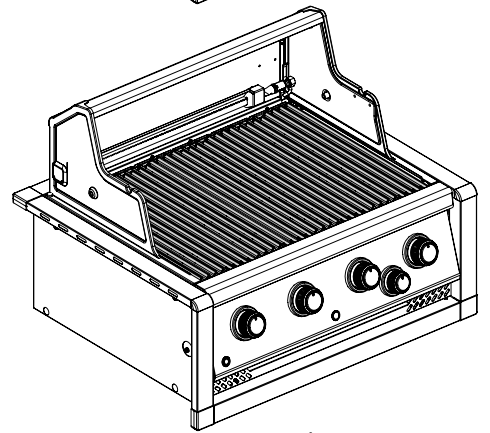
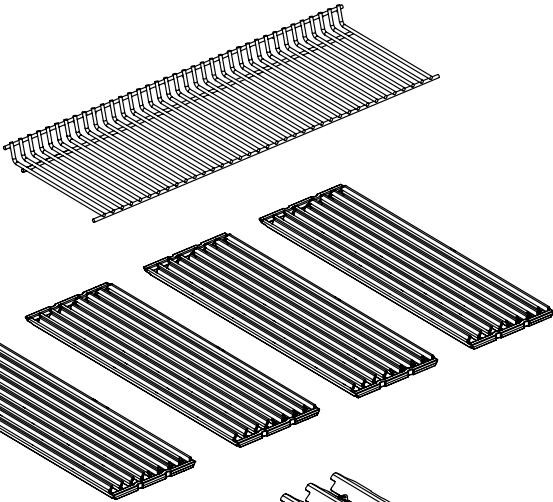
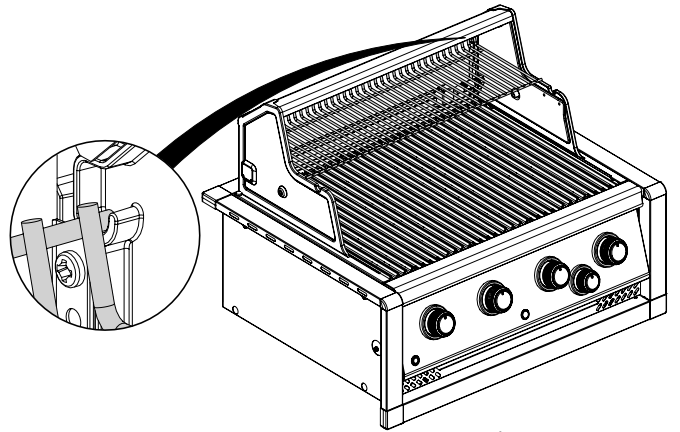
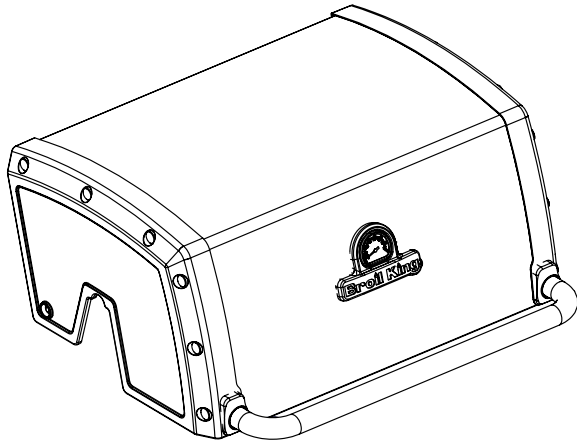


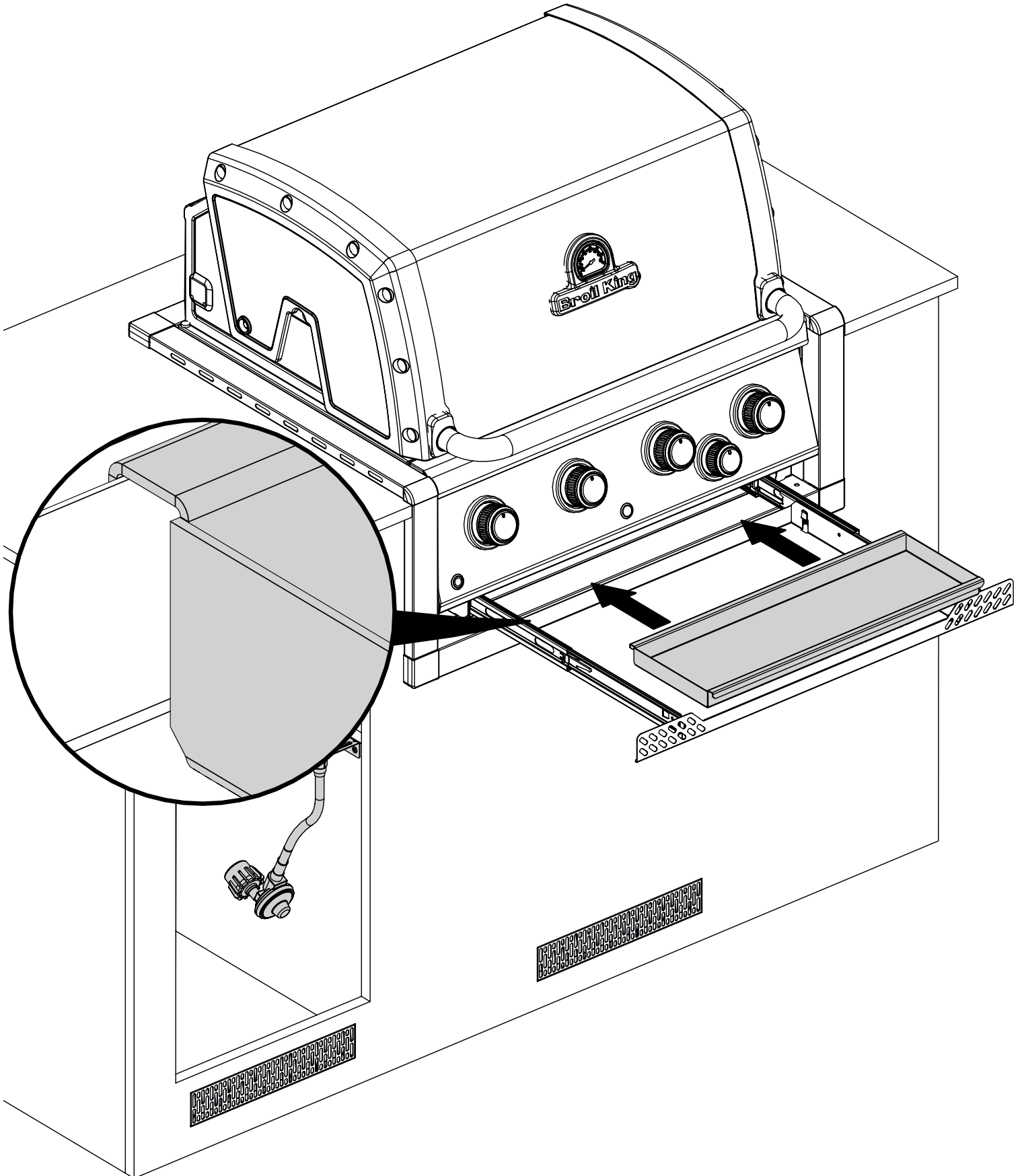
6



7

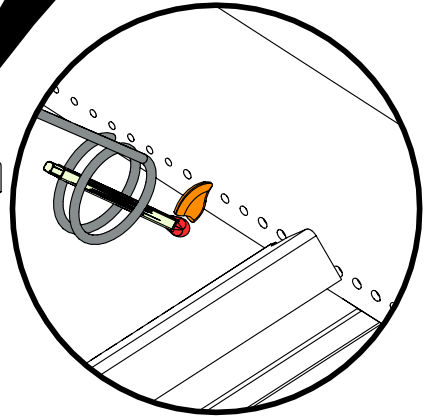
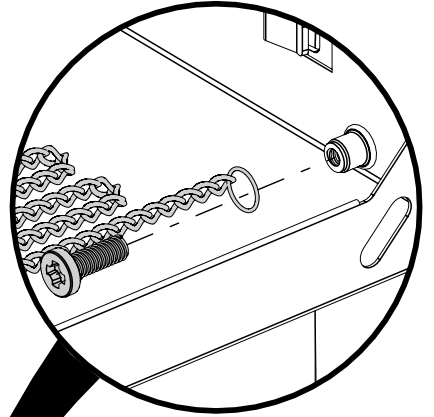
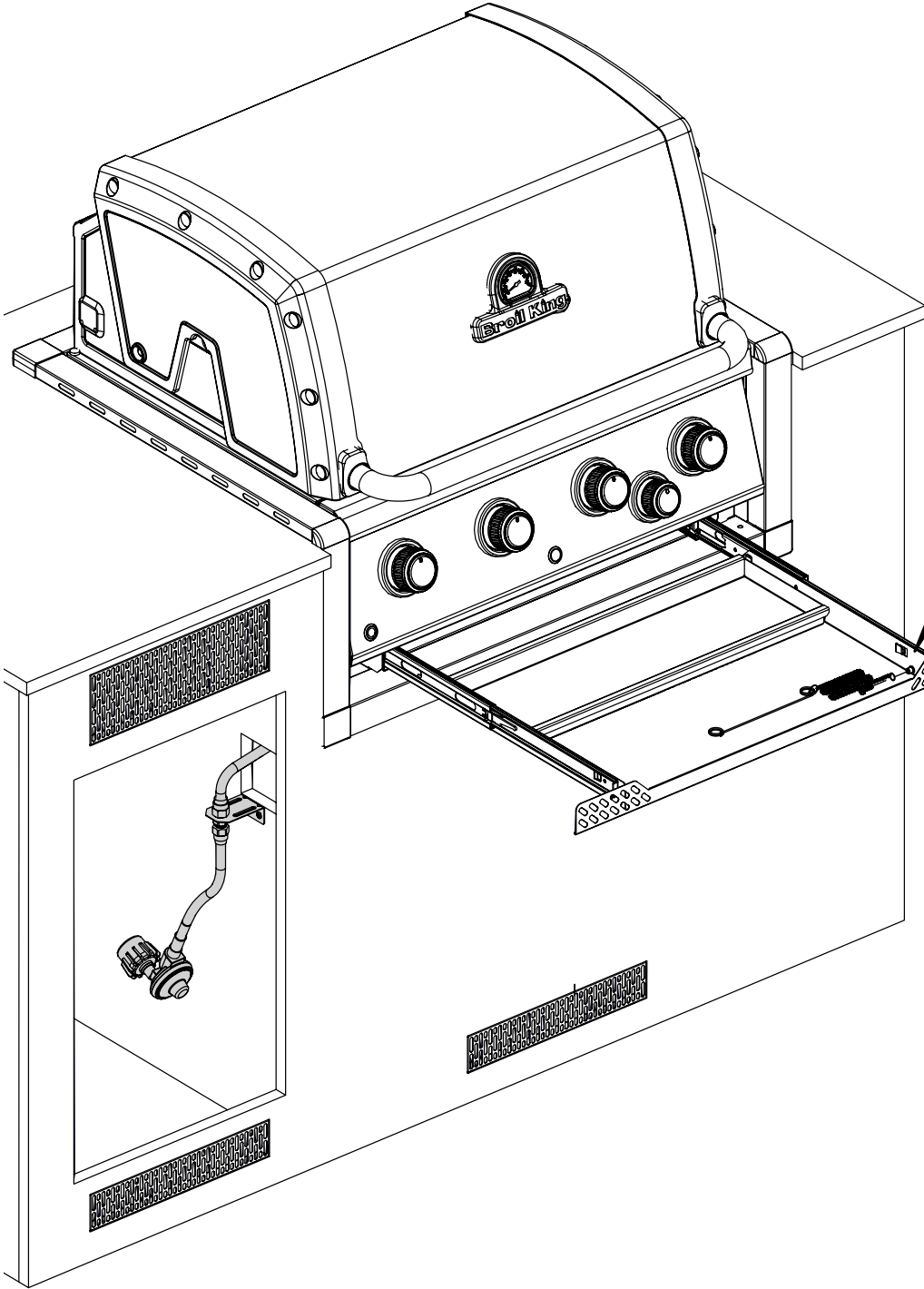
(2)  (2) 

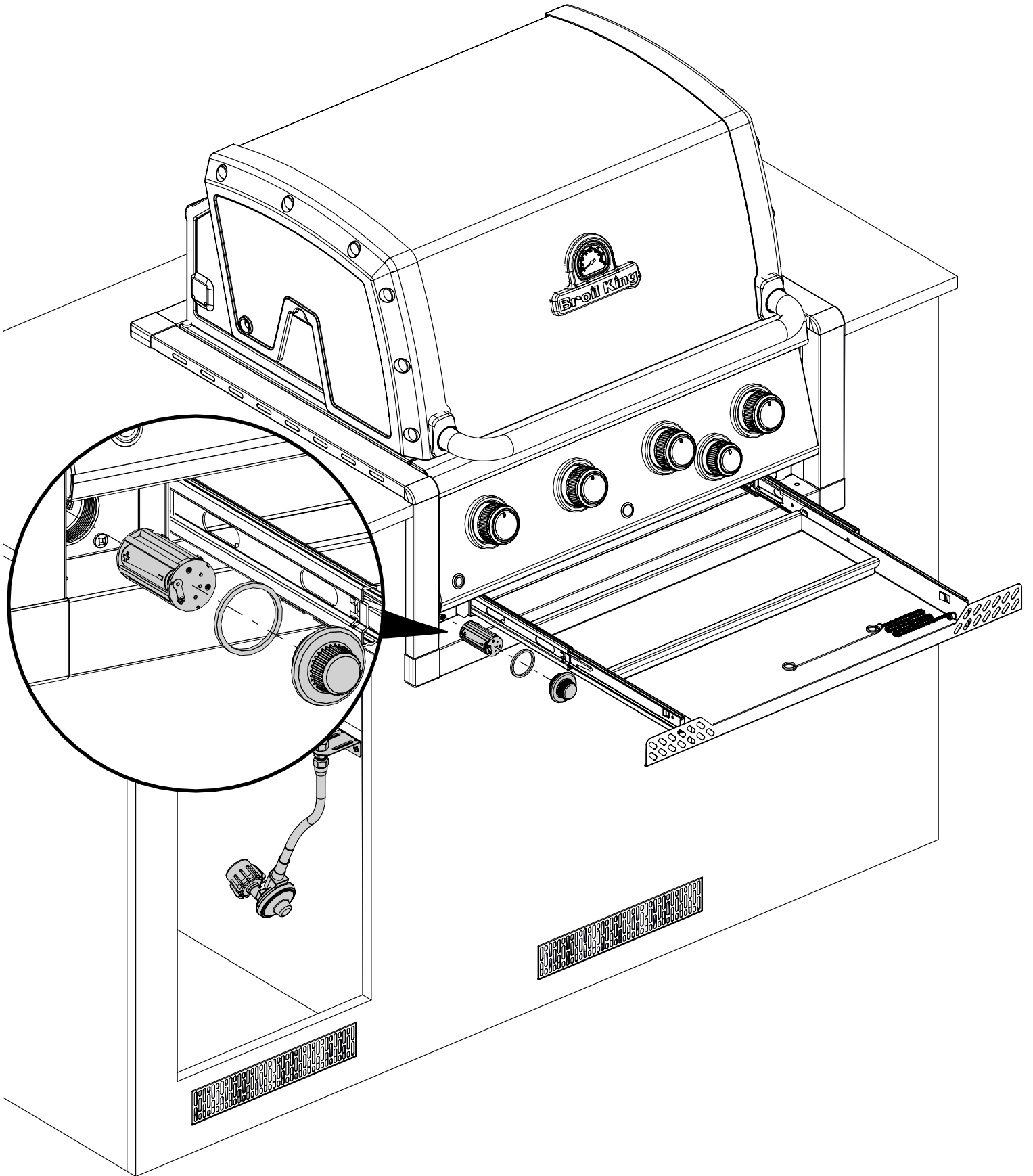


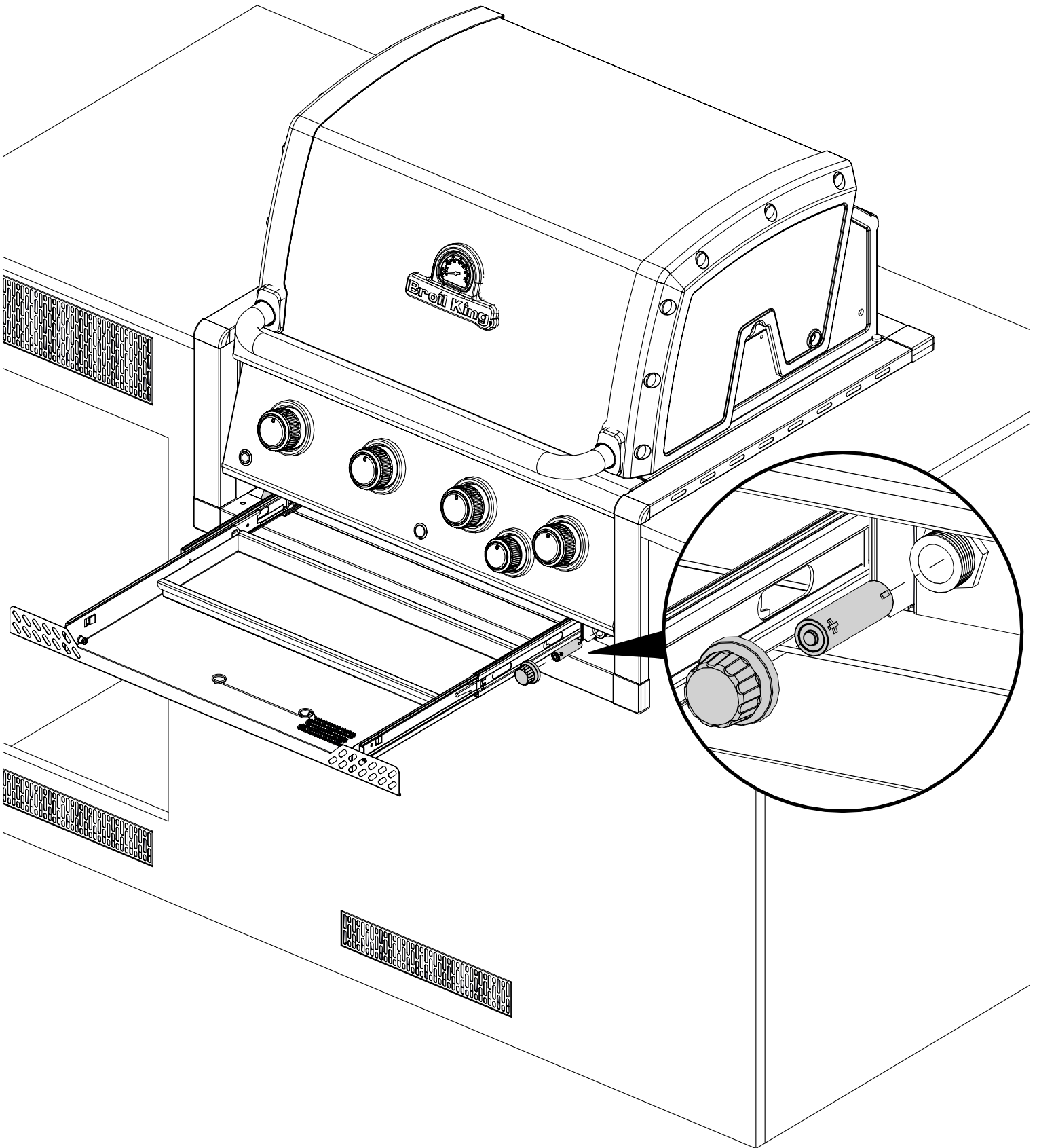


9

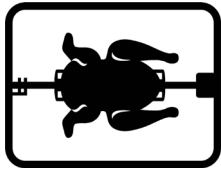
(1)  (1)



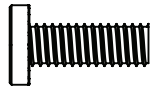




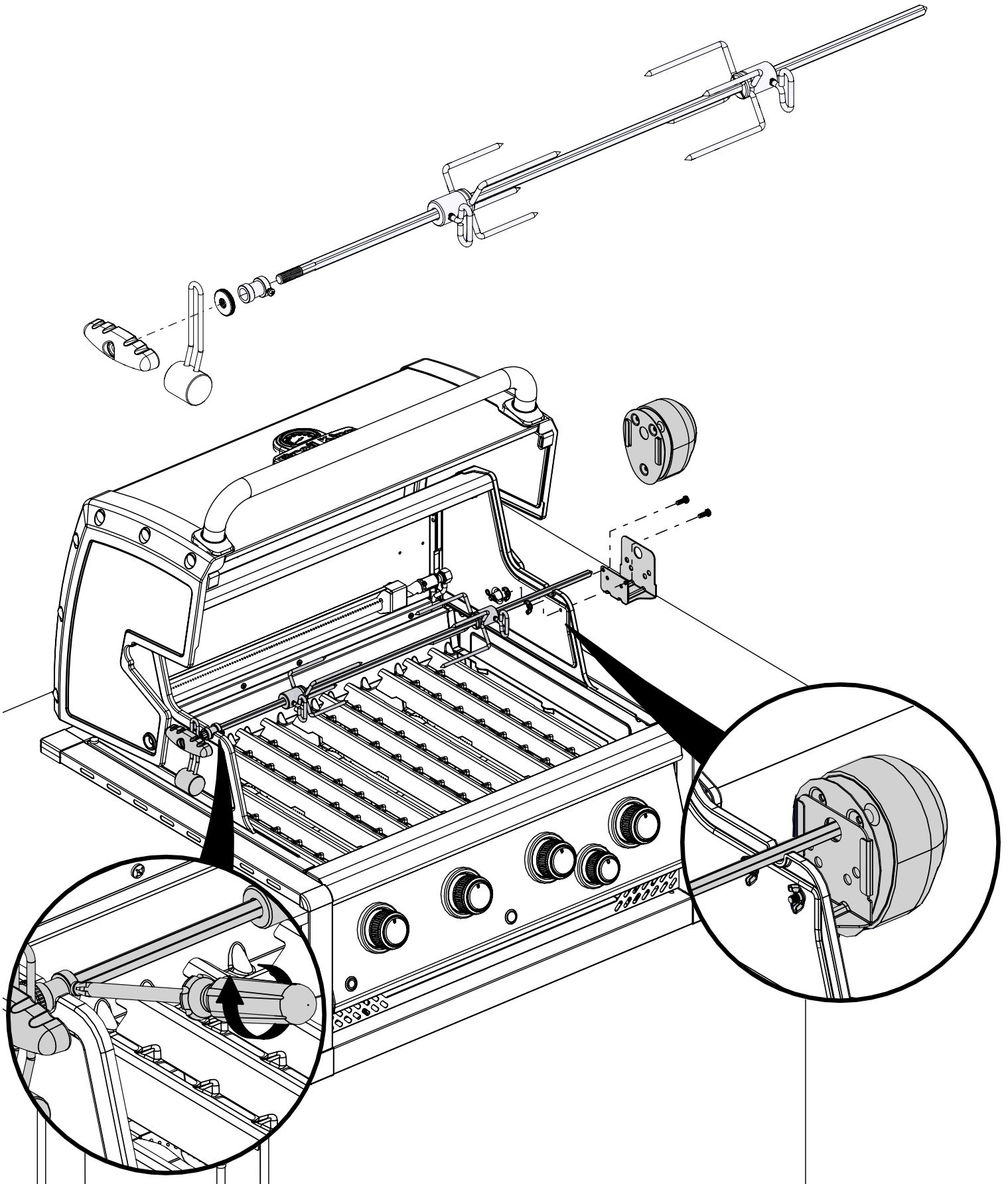
12

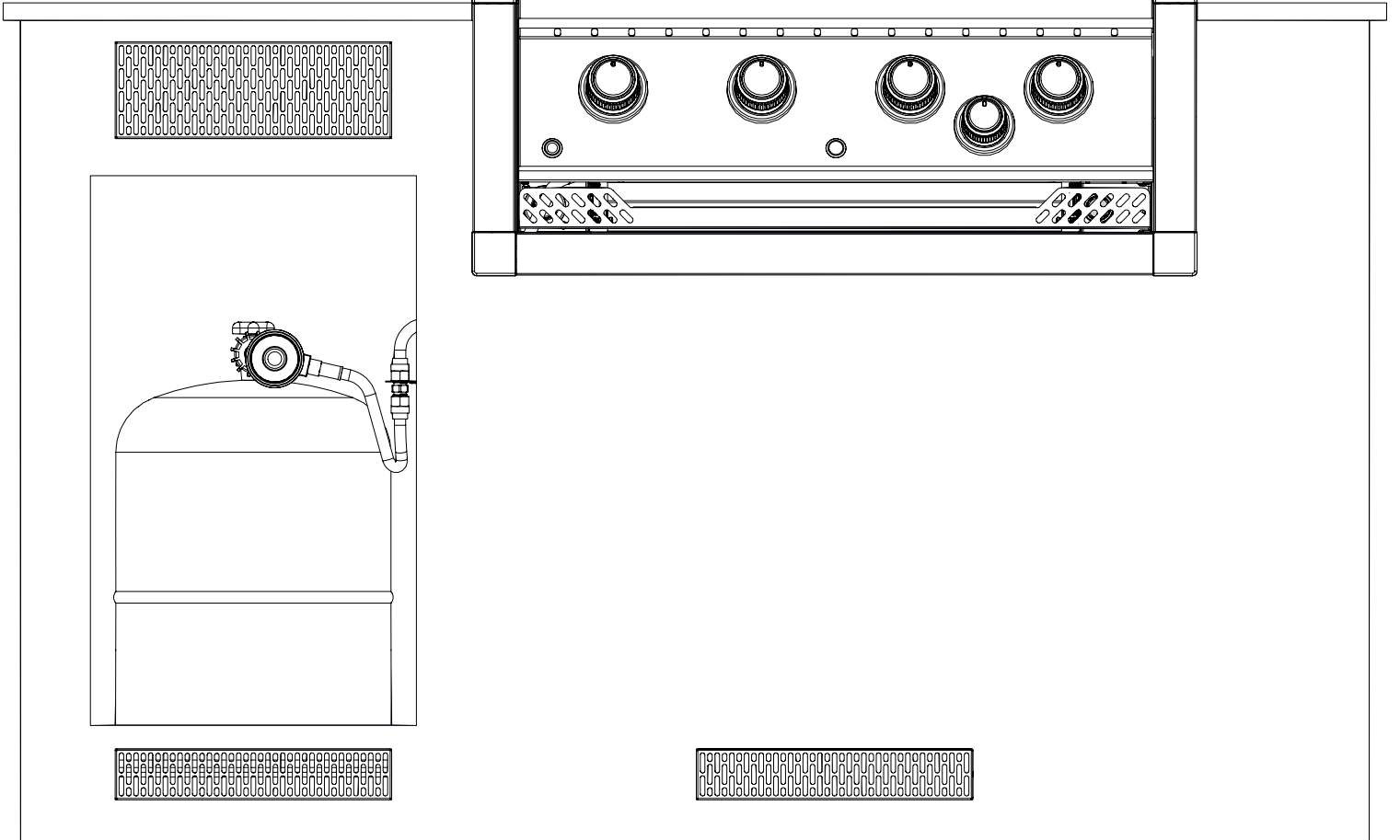
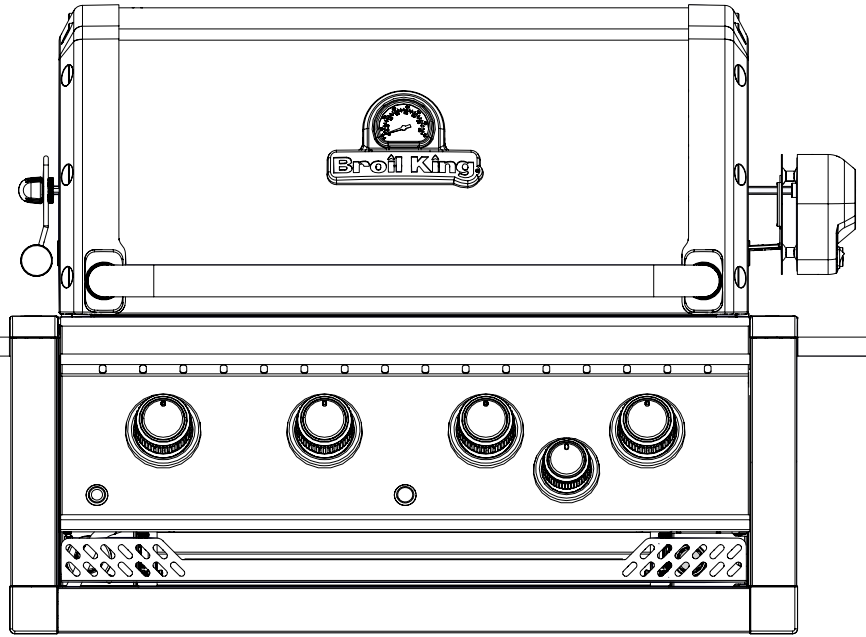


(2)



(2)



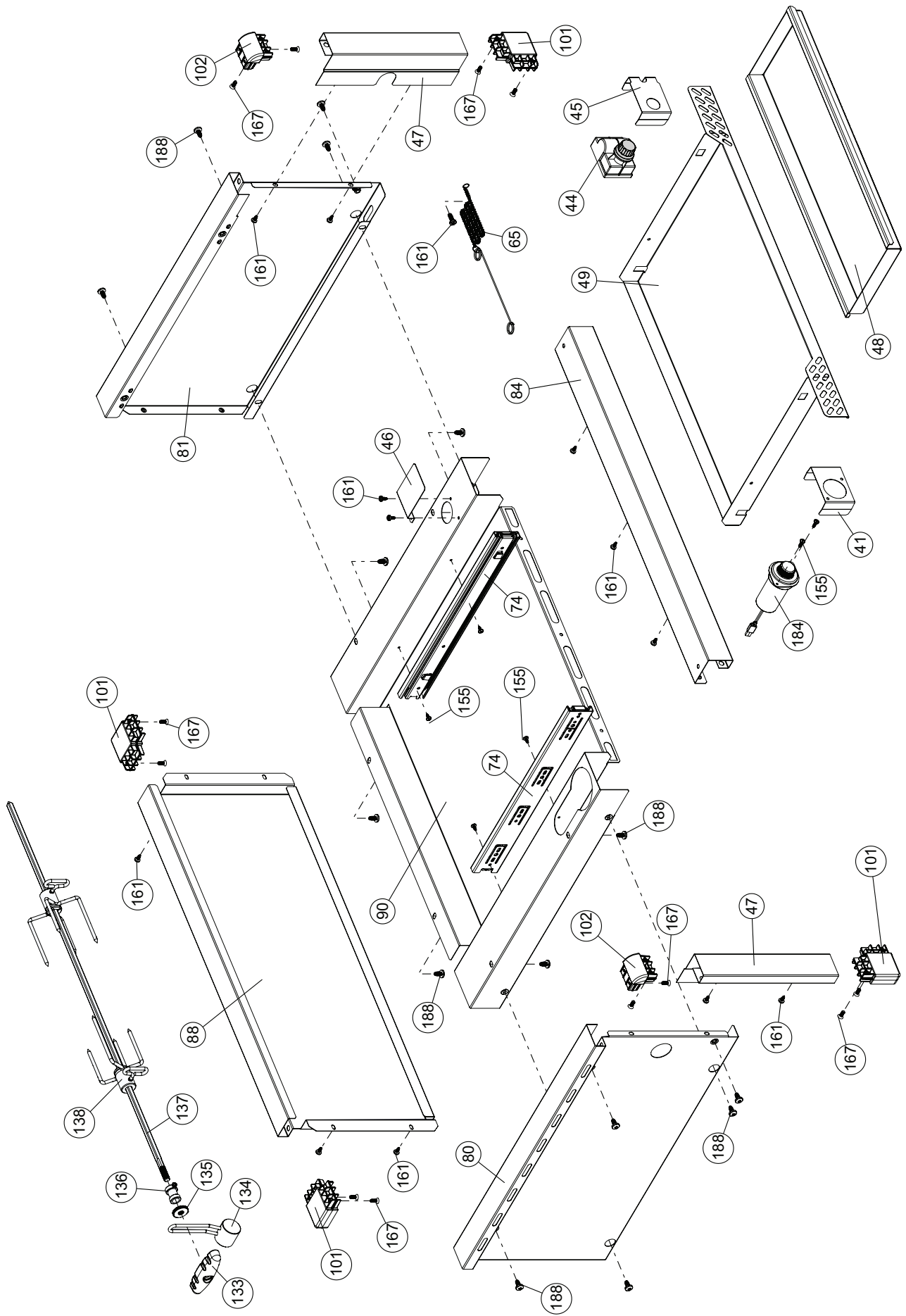


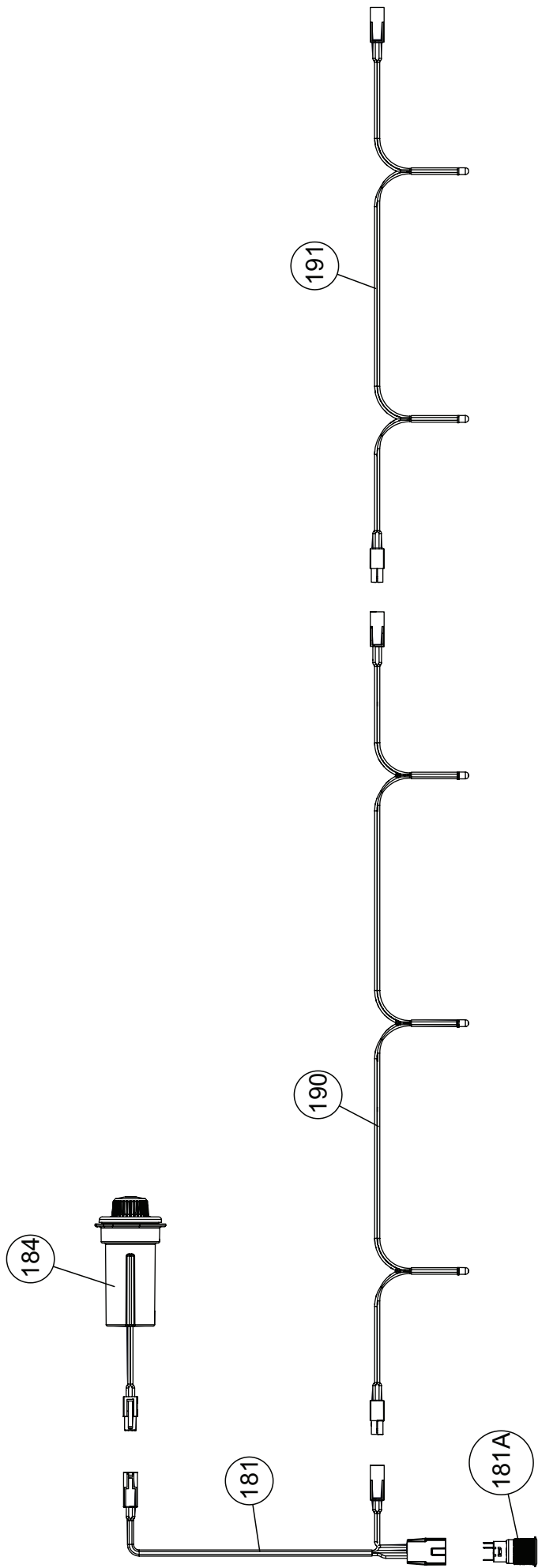
PARTS LIST

<u>KEY #</u>	<u>ITEM #</u>	<u>DESCRIPTION</u>	<u>9856-52</u>	<u>9856-53</u>	<u>9856-56</u>	<u>8856-72</u>	<u>8856-73</u>	<u>8856-76</u>
1	77005-003	FIRE BOX ASSEMBLY	1	1	1	1	1	1
2	86005-301	LID ASSEMBLY	1	1	1	1	1	1
5	27249-904	GREASE SHIELD	4	4	4	4	4	4
7	Y-11544S	BURNER SCREW	4	4	4	4	4	4
8	S21242	BURNER CLIP	4	4	4	4	4	4
18	22005-281	COOKING GRID	4	4	4	4	4	4
20	22005-992	GRID - WARMING RACK	1	1	1	1	1	1
22	22025-903	COLLECTOR BOX	1	1	1	1	1	1
25	22909-104D	BURNER	4	•	•	4	•	•
	22909-104E	BURNER	•	4	•	•	4	•
	22909-104NGE	BURNER	•	•	4	•	•	4
26	22001-769	CONTROL KNOB	4	4	4	4	4	4
26A	22001-669	CONTROL KNOB	•	•	•	1	1	1
27	22002-264	CONTROL BEZEL	4	4	4	4	4	4
27A	22001-164	CONTROL BEZEL	•	•	•	1	1	1
28	22005-813	CONTROL COVER	1	1	1	•	•	•
	22005-853	CONTROL COVER	•	•	•	1	1	1
32	10111-16A	PIG TAIL HOSE ASSEMBLY	2	2	2	2	2	2
35	79005-012	CONTROL ASSEMBLY	1	•	•	•	•	•
	79005-013	CONTROL ASSEMBLY	•	1	•	•	•	•
	79005-016	CONTROL ASSEMBLY	•	•	1	•	•	•
	79005-052	CONTROL ASSEMBLY	•	•	•	1	•	•
	79005-053	CONTROL ASSEMBLY	•	•	•	•	1	•
	79005-056	CONTROL ASSEMBLY	•	•	•	•	•	1
37	20809-957	TUBE-REAR BURNER ASSY	•	•	•	1	1	1
38	Y-11990	HEX NUT	•	•	•	1	1	1
41	71039-903	BATTERY BRACKET	1	1	1	1	1	1
43	10342-E22	ELECTRODE	1	1	1	1	1	1
43A	10342-E13	ELECTRODE	1	1	1	1	1	1
44	10342-42	ELECTRONIC IGNITOR	1	1	1	•	•	•
	10342-43	ELECTRONIC IGNITOR	•	•	•	1	1	1
44A	25070-925	IGNITOR WIRE	1	1	1	1	1	1
44B	25070-93	IGNITOR BUTTON	1	1	1	1	1	1
45	72039-903	IGNITOR BRACKET	1	1	1	1	1	1
46	72049-603	IGNITOR SHIELD	1	1	1	1	1	1
47	71209-033	TRIM FRONT SIDE	2	2	2	2	2	2
48	71055-004	GREASE TRAY	1	1	1	1	1	1
49	71065-003RA	DRAWER	1	1	1	1	1	1
51	22009-103	FLAV-R-WAVE ®	4	4	4	4	4	4
56	24005-12A	HANDLE	1	1	1	1	1	1
58	54009-936	HANDLE BEZEL	2	2	2	2	2	2
59	10081-BK630	NAMEPLATE	1	1	1	1	1	1
60	10571-6	HEAT INDICATOR	1	1	1	1	1	1
65	25005-000	MATCH LIGHT	1	1	1	1	1	1
74	Y-99101	DRAWER SLIDE	2	2	2	2	2	2
80	71109-033R	TRIM SIDE - LH	1	1	1	1	1	1
81	71109-043R	TRIM SIDE - RH	1	1	1	1	1	1
84	70205-013	TRIM FRONT	1	1	1	1	1	1
88	71305-023	TRIM REAR	1	1	1	1	1	1
90	71625-003	BASE	1	1	1	1	1	1
101	Y-12130	CORNER CAP - 90 DEGREE	4	4	4	4	4	4
102	Y-12131	CORNER CAP	2	2	2	2	2	2

PARTS LIST

<u>KEY #</u>	<u>ITEM #</u>	<u>DESCRIPTION</u>	<u>9856-52</u>	<u>9856-53</u>	<u>9856-56</u>	<u>8856-72</u>	<u>8856-73</u>	<u>8856-76</u>
130	27905-354	REAR BURNER	•	•	•	1	1	1
131	10693-099	REAR BURNER ORIFICE	•	•	•	•	1	1
	10693-161	REAR BURNER ORIFICE	•	•	•	1	•	•
133	S15271	HANDLE	•	•	•	1	1	1
134	S15270	BALANCER	•	•	•	1	1	1
135	S15299	WASHER	•	•	•	1	1	1
136	S15263	BUSHING	•	•	•	1	1	1
137	S15256	SPIT ROD	•	•	•	1	1	1
138	S15287	4 PRONG FORKS	•	•	•	2	2	2
139	57039-901	ROTISSERIE BRACKET	•	•	•	1	1	1
141	Y-11559	SCREW - 1/4-20 X 3/4	2	2	2	2	2	2
145	S21235	HINGE PIN	2	2	2	2	2	2
146	S21233	HITCH PIN CLIP	2	2	2	2	2	2
147	Y-11236	LID BUMPER	2	2	2	2	2	2
155	S21124	SCREW #8 X 1/2	6	6	6	6	6	6
157	Y-12835	SCREW #6-32 X 1/4	•	•	•	2	2	2
159	S21127S	SCREW - #8-32 X 3/8	8	8	8	10	10	10
161	Y-29304	SCREW - #10-24 X 3/8	12	12	12	12	12	12
162	S35095	SCREW #10-24 X 5/8	•	•	•	2	2	2
167	Y-29301	SCREW - #10-24 X 1/2	12	12	12	12	12	12
169	S21061	WING NUT	•	•	•	2	2	2
171	S15246	MOTOR	•	•	•	1	1	1
172	S15508	ELECTRODE	•	•	•	1	1	1
173	S21362	SPRING	•	•	•	1	1	1
181	25030-73	LIGHT SWITCH WIRE	1	1	1	1	1	1
181A	25070-95	LIGHT SWITCH BUTTON	1	1	1	1	1	1
184	25080-80	BATTERY PACK	1	1	1	1	1	1
188	Y-12865	SCREW 1/4-20 X 1/2	16	16	16	16	16	16
190	25020-83	WIRE - LED LIGHT	•	•	•	1	1	1
	25020-84	WIRE - LED LIGHT	1	1	1	•	•	•
191	25020-82	WIRE - LED LIGHT	•	•	•	1	1	1
193	SP11-25	LID BUMPER	2	2	2	2	2	2







Distribuidor oficial para España:

The Barbecue Store

**Avda. Carmen Saenz de Tejada, 1
29650 Mijas Costa (Málaga)**

Teléfono: 952477152 - 952477161

Fax.: 952580781

Email: dmblico2@telefonica.net

<http://www.thebarbecuestore.es>